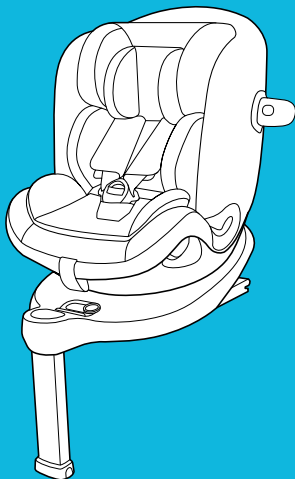




TURN2ME GROW I-SIZE R129

CHILD RESTRAINT

IMPORTANT! KEEP FOR FUTURE REFERENCE.



EN

Owner's Manual
Parts List
Fitting Guide

FR

Manuel de l'utilisateur
Liste des pièces
Guide de montage

DE

Benutzerhandbuch
Teilliste
Montageanleitung

NL

Gebruikershandleiding
Onderdelenlijst
Montagehandleiding

IT

Manuale di istruzioni
Elenco parti
Guida al montaggio

ES

Manual del propietario
Lista de piezas
Guía de ajustes

PT

Manual do proprietário
Lista de componentes
Guia de encaixe

PL

Instrukcja obsługi
Wykaz części
Instrukcja dopasowania

CZ

Návod k použití
Seznam dílů
Pokyny pro upevnění

HR

Korisnički priručnik
Popis dijelova
Vodič za postavljanje

SR

Uputstvo za upotrebu
Lista delova
Vodič za sklapanje

SL

Navodila za uporabo
Seznam delov
Navodila za namestitve

RU

Руководство по
эксплуатации
Спецификация деталей
Инструкция по
эксплуатации

DA

Brugsvejledning
Liste over dele
Tilpasningsvejledning

SK

Návod na obsluhu
Zoznam jednotlivých častí
Sprievodca montáží

NO

Brøkerhåndbok
Deleliste
Monteringsveiledning

SE

Agarens bruksanvisning
Lista över delar
Passningsguide

FI

Omisijanan käsikirja
Osaluettelo
Kinnitysohje

HU

Felhasználói kézikönyv
Alkatrészek listája
Szerelési útmutató

RO

Manualul utilizatorului
Lista componentelor
Ghid de montare

EL

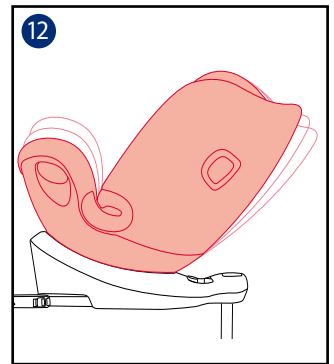
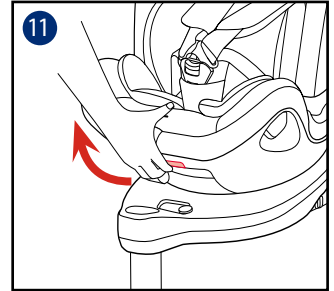
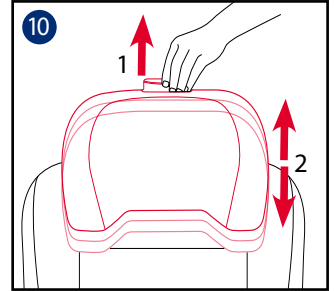
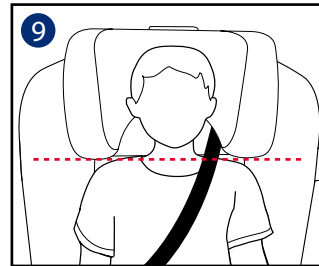
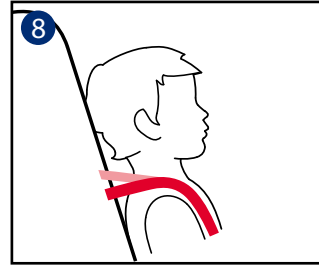
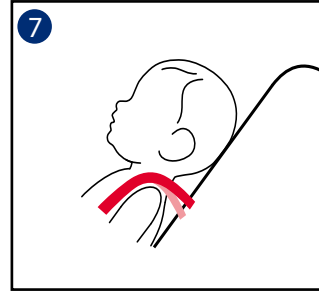
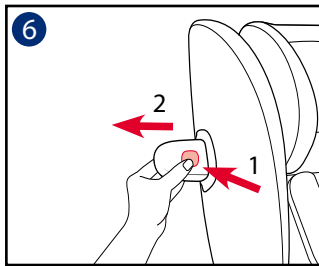
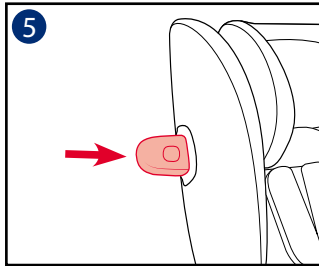
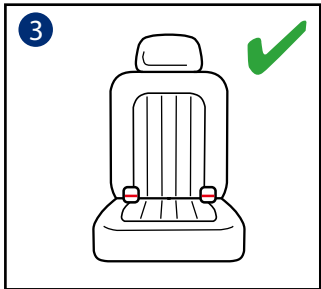
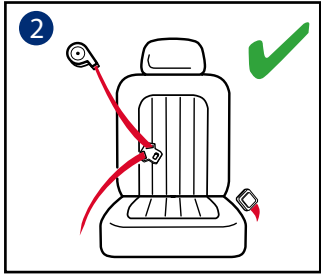
Εγχειρίδιο χρήστη
Κατάλογος εξαρτημάτων
Οδηγός τοποθέτησης

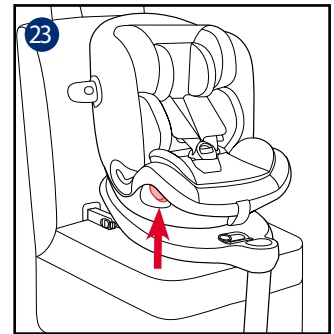
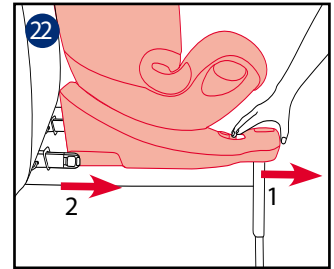
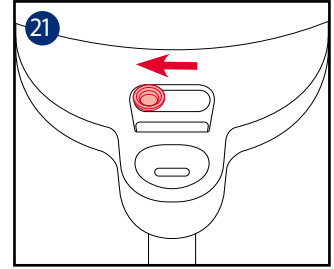
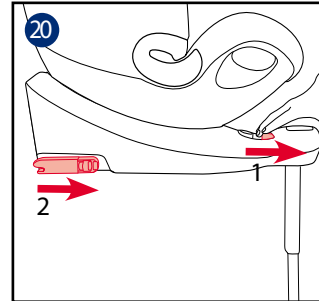
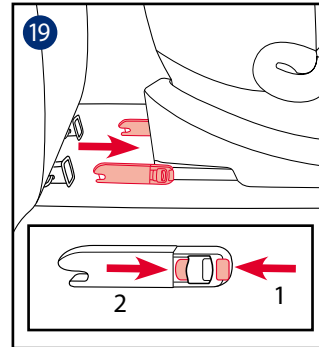
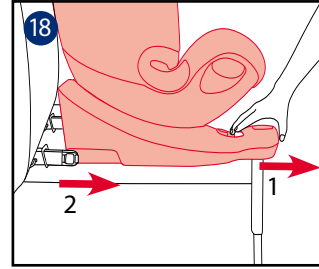
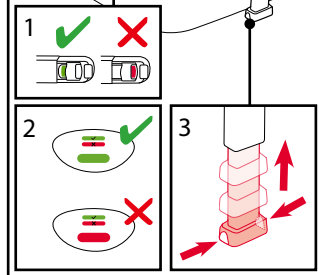
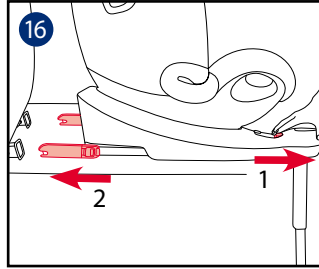
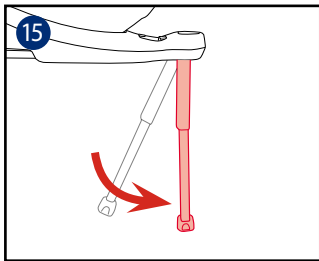
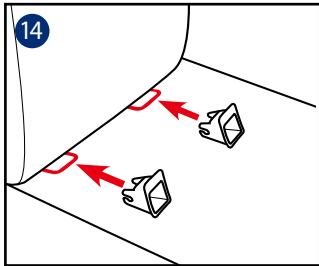
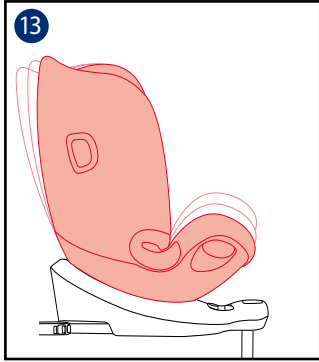
TR

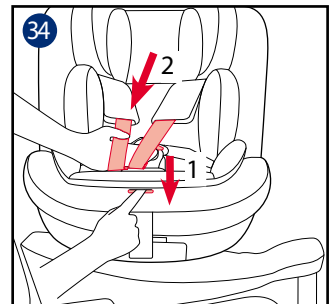
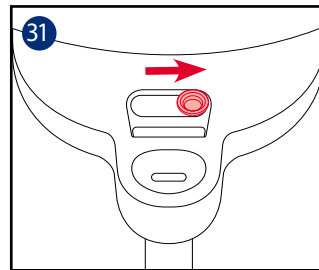
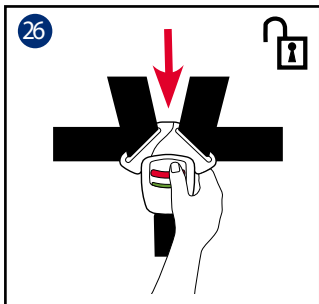
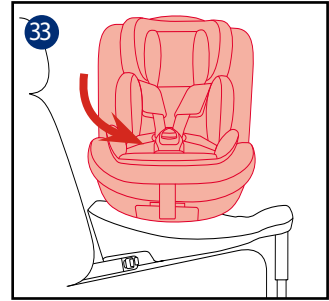
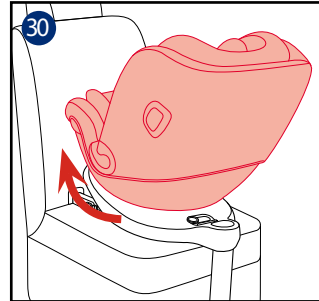
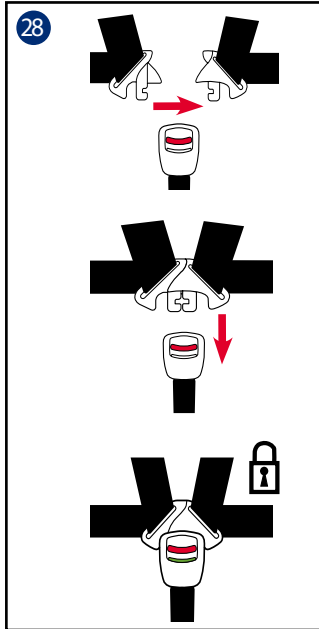
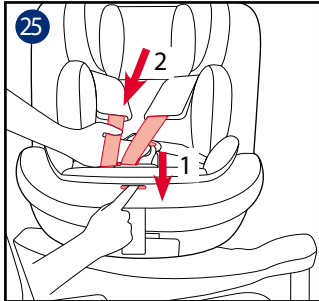
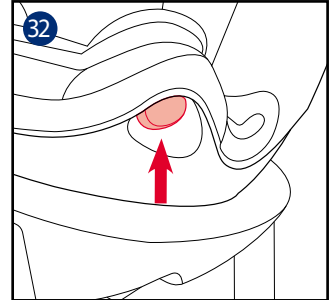
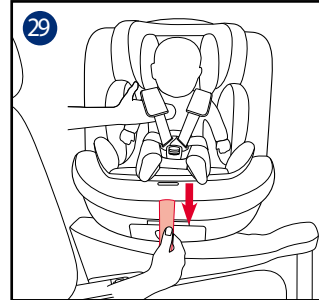
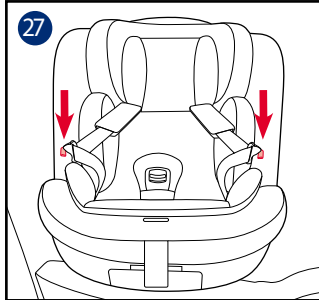
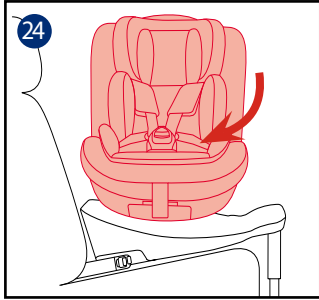
Kullanıcı El Kitabı
Parça Listesi
Bağlantı Kılavuzu

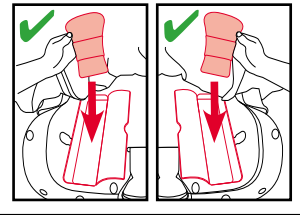
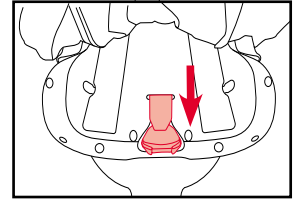
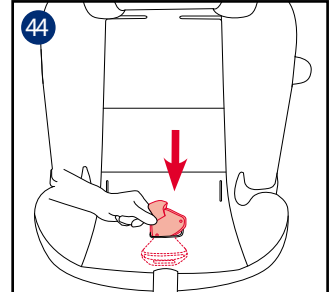
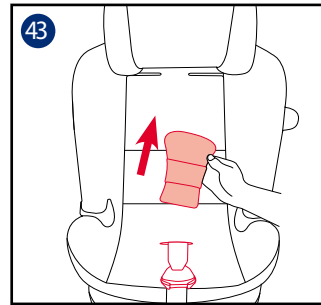
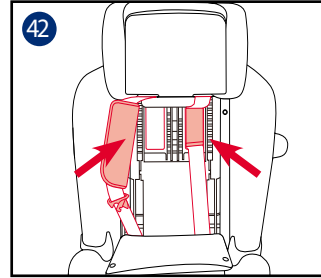
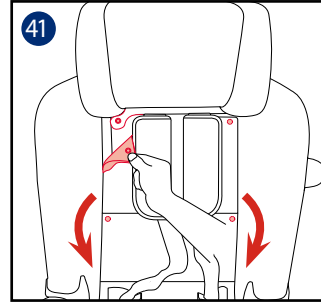
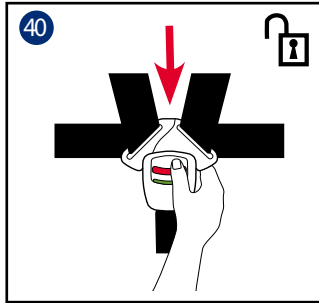
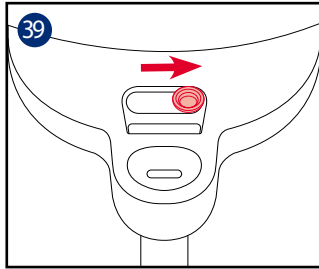
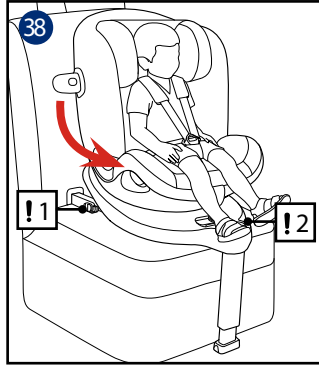
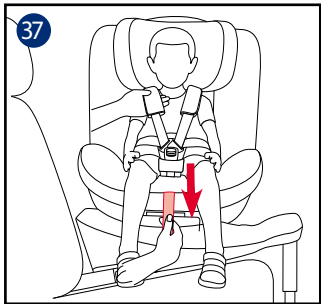
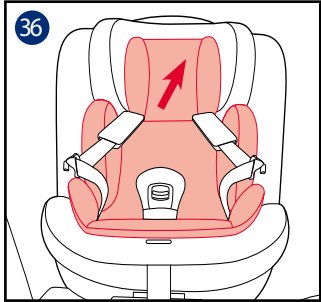
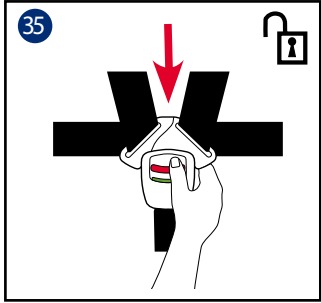
AR

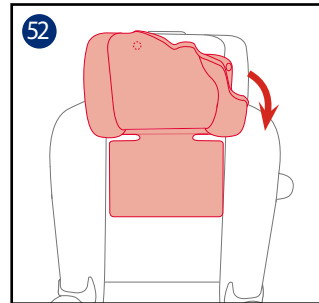
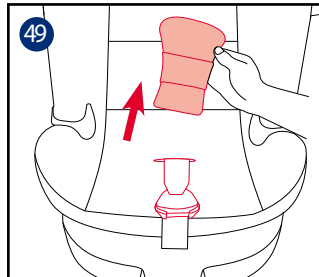
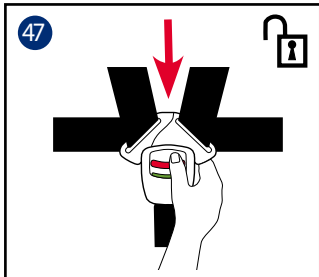
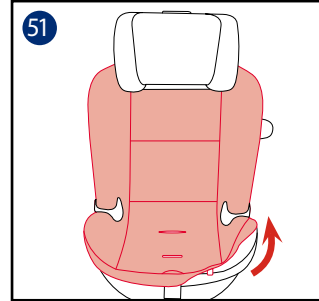
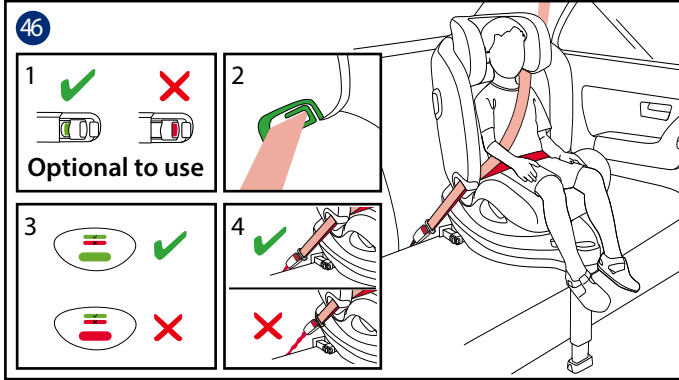
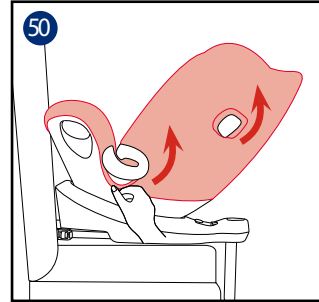
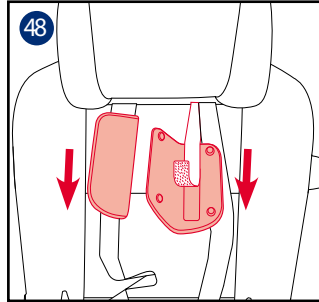
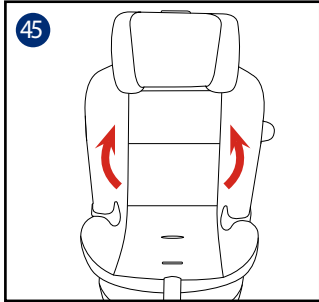
دليل المستخدم
قائمة الأجزاء
دليل التثبيت



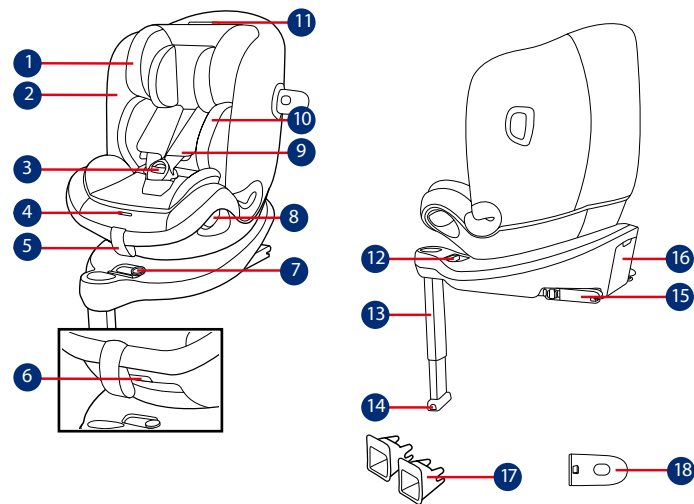








EN	English – see pages	12-20
FR	Français – voir les pages	21-30
DE	Deutsch – siehe Seiten	31-40
NL	Nederlands – zie pagina's	41-49
IT	Italiano – vedere alle pagine	50-59
ES	Español – consulte las páginas	60-69
PT	Português – ver páginas	70-79
PL	Polski – patrz strony	80-89
CZ	Čeština – viz strany	90-98
HR	Hrvatski – pogledajte stranice	99-107
SR	Srpski – pogledajte stranice	108-116
SL	Slovenščina – glejte strani	117-125
RU	Русский – см. стр.	126-136
DA	Dansk – se siderne	137-144
NO	Norsk – se sider	145-152
FI	Suomi – katso sivut	153-161
HU	Magyar – lásd oldal	162-170
RO	Română – consultați paginile	171-179
EL	Ελληνικά – βλ. σελίδες	180-190
TR	Türkçe – bkz. sayfa	191-199
	عربي – راجع الصفحات من ٢٠٠ إلى ٢٠٨	AR
SE	Svenska – se sidorna	209-217
SK	Slovenčina – pozrite si strany	218-226



- ① Head Support
 - ② Seat Pad
 - ③ Buckle
 - ④ Harness Adjustment Button
 - ⑤ Adjustment Webbing
 - ⑥ Recline Adjustment Button
 - ⑦ Swivel Lock-off
 - ⑧ Rotation Button
 - ⑨ Shoulder Harness Covers
 - ⑩ Infant Insert
 - ⑪ Head Support Adjustment Lever
 - ⑫ ISOFIX Adjuster Button
 - ⑬ Load Leg
 - ⑭ Load Leg Adjustment Button
 - ⑮ ISOFIX Connector
 - ⑯ Instruction Manual Storage
 - ⑰ ISOFIX Attachments Guides
 - ⑱ Side Impact Protection
- *must use on door side only

EN IMPORTANT

READ THESE INSTRUCTIONS CAREFULLY BEFORE USE AND KEEP THEM FOR FUTURE REFERENCE. YOUR CHILD'S SAFETY MAY BE AFFECTED IF YOU DO NOT FOLLOW THESE INSTRUCTIONS.

⚠WARNING:
IMPORTANT, RETAIN FOR FUTURE REFERENCE: READ CAREFULLY.

Be informed that the rigid items and plastic parts of an enhanced child restraint shall be so located and installed that they are not liable to become trapped by a moveable seat or in a door of the vehicle.

DO NOT use the rearward facing enhanced child restraint systems in seating positions where there is an active frontal airbag installed.

To use this enhanced child restraint according to the UN Regulation No.129/03, your child must meet the following requirements.

Rear Facing Mode: Child height 40cm-105cm/ max. 19kg;

Forward Facing Mode: Child height 76cm-105cm/ max. 19kg;

Booster Mode: Child height 100cm-125cm/ max. 25kg;

IMPORTANT - DO NOT USE FORWARD FACING BEFORE THE CHILD'S AGE EXCEEDS 15 MONTHS (Refer to instructions).

The enhanced child restraint may not fit in all approved vehicles due to storage compartments or limited space to the vehicle roof. In doubt, please contact your retailer or reach out to us.

Any straps holding the enhanced child restraint to the vehicle should be tight, that any support-leg should be in contact with the vehicle floor, that any straps restraining the child should be adjusted to the child's body, and that straps should not be twisted.

After your child is placed in this enhanced child restraint, the safety belt must be used correctly. Ensure that any lap strap is worn low down, so that the pelvis is firmly engaged, shall be stressed.

This enhanced child restraint should be replaced when it has been subject to violent stresses in an accident. An accident can cause damage to it that you cannot see.

Consider the danger of making any alterations or additions to the device without approval of the adequate authority, and the danger of not following closely to the installation instructions provided by the enhanced child restraint manufacturer.

Please keep this enhanced child restraint away from sunlight, otherwise it may be too hot for

child's skin. Always touch the enhanced child restraint before placing child in it.

DO NOT leave your child unattended in the enhanced child restraint system.

Any luggage or other objects liable to cause injuries in the event of a collision shall be properly secured.

The enhanced child restraint system shall NOT BE USED without the soft goods.

The soft goods should not be replaced with any other than the one recommended by the manufacturer, because the soft goods constitutes an integral part of the restraint performance.

Please check if this enhanced child restraint can be installed properly in your vehicle before you purchase it.

NO enhanced child restraint can guarantee full protection from injury in an accident. However, proper use of this enhanced child restraint will reduce the risk of serious injury or death to your child.

DO NOT install this enhanced child restraint without following the instructions in this manual or you may put your child at serious risk of injury or death.

DO NOT use this enhanced child restraint if it has damaged or missing parts.

DO NOT have your child in large/ oversized clothes because this may prevent your child from being, properly and securely fastened by the shoulder harness straps and the crotch strap between the legs.

The instructions should be retained on the enhanced child restraint for its life period.

Please also pay attention to the instructions and warnings in the vehicle manufacturer's handbook.

Product Information

For installation with ISOFIX system

1. This is an i-Size Enhanced Child Restraint System. It is approved according to UN Regulation No.129, for use in, i-Size compatible vehicle seating positions as indicated by vehicle manufacturers in the vehicle users' manual.
2. If in doubt, consult either the Enhanced Child Restraint System manufacturer or the retailer.

For installation with 3-point belt For installation with 3-point belt + ISOFIX system

1. This is an i-Size booster seat Enhanced Child Restraint System. It is approved according to UN Regulation No.129, for use primarily in "i-Size seating positions " as indicated by vehicle manufacturers

in the vehicle user's manual.

- If in doubt, consult either the Enhanced Child Restraint System manufacturer or the retailer.

Materials Plastics, Metal, Fabrics

Patent No. Patents pending

Installation Concerns

See images **1** - **4**

Use Side Impact Protection

See images **5** - **6**

! The enhanced child restraint is delivered with removable side impact protection pod. Insert the side impact pod on the side closest to the door. Installation shown in **5**.

- Press the release button to remove side impact protection.

Height Adjustment for Head Support and Shoulder Harnesses

See images **7** - **10**

- ! Please adjust the head support and check if the shoulder harnesses are at the correct height according to **7** **8** **9** **10**.
- ! When used in rear facing mode, the shoulder harness height must be even with or just below the top of child's shoulders. **7**
- ! When used in forward facing mode, the shoulder harness height must be even with or just above the top of child's shoulders. **8**
- ! When used in booster mode, the shoulder belt guides must be even with child's shoulders. **9**
- ! Press the head support adjustment lever and pull up or push down the head support until it clicks into one of the 7 positions, shown as **10**.

Recline Adjustment

See images **11** - **13**

- ! Press the recline adjustment button to adjust the enhanced child restraint to the desired position. **11** **12** **13**

! There are 6 recline positions that can be used for both rear facing mode and forward facing mode.

12 **13**

Base Installation

See images **14** - **20**

- ! Insert ISOFIX guides to assist with installation. **14**
- ! Press the ISOFIX adjuster button to extend the ISOFIX. **16** -1 & **16** -2
- ! Make sure that both ISOFIX connectors are securely attached to their ISOFIX anchor points. The colors of the indicators on both ISOFIX connectors should be completely green. **17** -1
- ! Press the ISOFIX adjustment buttons again while pushing the seat back until it comes in contact with the vehicle seat backrest.
- ! After attaching the ISOFIX, pull the load leg downward to floor. When the load leg indicator shows green, the load leg is installed correctly. **17** -2
- ! Squeeze the load leg releasing button, then adjust the load leg length. **17** -3

! Always make sure the support leg has direct contact with the floor and is in locked position even when the child is not in it.

Removing the base

- ! To remove from the vehicle press the ISOFIX adjuster button and pull the base back from the seat. Then press and release the connectors from the vehicle's ISOFIX. **19**
- ! To prevent damage during transit, press the ISOFIX adjuster button **20** -1 and fold the connector completely. **20** -2

Using in the rear facing mode (Child height 40cm-105cm/ Child weight ≤ 19kg/infant - approx. 4 years old)

See images **21** - **30**

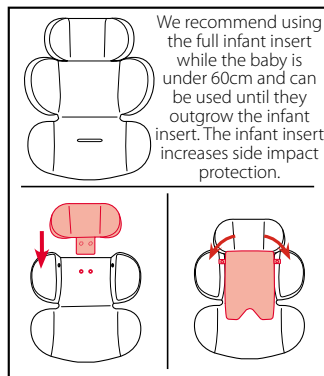
- ! Install the enhanced child restraint on the rear vehicle seat, and then place the child in the enhanced child restraint.
- ! Please slide Smart lock-off to left when enhanced child restraint used in rearward facing mode. **21**
- ! Press the ISOFIX adjuster button and pull the base back from the vehicle seat. **22**

- ! Press the rotating button to rotate for easier side loading/unloading of the child, then rotate the seat to the rear facing position. **23 24**
- ! Press the rotating button on either side to rotate the enhanced child restraint.

Securing Child

- ! To lengthen the shoulder harness belts, press the harness adjustment button while pulling out the shoulder harnesses to loosen. **25**
- ! Unbuckle the harness by pressing the red button.
- ! Fix the buckles on both sides of the seat marked as **27**, to make placing the child in rear-facing mode more convenient.

Use Infant Insert



- ! Place the child into the enhanced child restraint and pass both arms through the harnesses.
- ! Engage the buckle. Please refer to **28**
- ! Pull down the adjustment webbing and adjust it to the proper length to make sure your child is properly secured. **29**
- ! Always keep child secured in harness and properly tightened by removing any slack.
- ! Make sure the space between the child and the shoulder harness straps is about the thickness of one hand.
- ! Always make sure the seat is in locked position (rearward facing / forward facing) even when the child is not in it.

Using in the forward facing mode

(Child height 76cm-105cm/Child weight ≤ 19kg/15 months - approx. 4 years old)

See images **31 - 38**

- ! Install the enhanced child restraint on the rear vehicle seat,

and then place the child in the enhanced child restraint.

- ! Please slide Smart lock-off to right when enhanced child restraint used in forward facing mode. **31**
- ! Press the rotation button to rotate for easier side loading/unloading of the child, then rotate the seat to the forward facing position. **32 33**
- ! Press the rotation button on either side to rotate the enhanced child restraint.

Securing Child

- ! To lengthen the shoulder harness belts, press the harness adjustment button while pulling out the shoulder harnesses to loosen. **34**
- ! Unlock the buckle of the harnesses by pressing the red button. **35**
- ! Remove the infant insert when in forward facing mode. **36**
- ! Place the buckle tongues on the outer side of the enhanced child restraint so that the tongues are held in place.
- ! Place the child into the enhanced child restraint and pass both arms through the harnesses.
- ! Engage the buckle.

! Pull down the adjustment webbing and adjust it to the proper length to make sure your child is properly secured. **37**

! Always make sure the seat is in locked position (rearward facing / forward facing) even when the child is not in it.

! The ISOFIX connectors must be attached and locked onto the ISOFIX anchor points. **38** -1

! The load leg must be installed correctly with green indicator. **38** -2

! Always keep child secured in harness and properly tightened by removing any slack.

! DO NOT use forward facing mode until your child's height is at least 76cm AND 15 months old.

Using in the booster mode (Child height 100cm-125cm/Child weight ≤ 25kg)

See images **39 - 46**

! Install the enhanced child restraint on the rear vehicle seat, and then place the child in the enhanced child restraint.

- ! Please slide Smart lock-off to right when enhanced child restraint used in booster mode.

39

Securing Child

- ! Unlock the buckle of the harnesses by pressing the red button. **40**
- ! Remove the infant insert when booster mode.
- ! Tuck the crotch strap, shoulder strap with covers away in the compartments. **42 44**
- ! Adjust the headrest so the bottom of the headrest is level with the child's shoulders.
- ! Buckle up with the vehicle belt.
- ! Shoulder belt must pass through shoulder belt guide. **46** -2
- ! The colors of the indicators on both ISOFIX attachments connectors should be completely green.
- ! The installation with ISOFIX connectors in booster mode is optional. If ISOFIX connectors are used, make sure the indicator colors on both connectors are completely green when attached to the anchor points. **46** -1
- ! The load leg must be installed correctly with green indicator. **46** -3

- ! The enhanced child restraint can not be used if the vehicle safety belt buckle (female buckle end) is too long to anchor the enhanced child restraint securely. **46** -4

Detach Soft Goods

See images **47** - **52**

Press the red button to disengage the buckle. **47**

Follow steps **48** - **52** to detach soft goods.

To re-attach the soft goods please repeat the above steps in the reverse order.

Care and Maintenance

Please wash the seat cover and inner padding with cold water under 30°C.

Do not iron the soft goods.

Do not bleach or dry clean the soft goods.

Do not use undiluted detergents, gasoline or other organic solvent to wash the child restraint. It may cause damage to the child restraint.

Do not wring out the seat cover and inner padding to dry. It may leave the seat cover and inner padding with wrinkles.

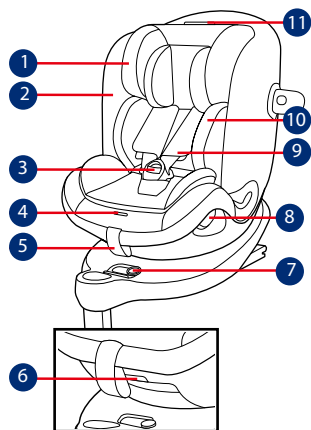
Please hang dry the seat cover and inner padding in the shade.

Please remove the child restraint from the vehicle seat if not in use for a long period of time. Put the child restraint in a cool, dry place where your child cannot access it.

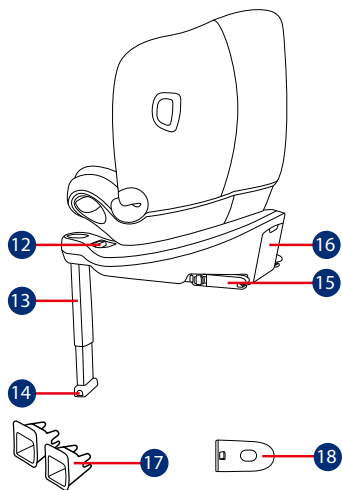
Do not tamper with the harness connectors during cleaning.

gracobaby.eu

www.gracobaby.pl



- ① Support de tête
- ② Coussin de siège
- ③ Boucle
- ④ Bouton de réglage du harnais
- ⑤ Sangle de réglage
- ⑥ Bouton de réglage de l'inclinaison
- ⑦ Verrouillage du pivotement
- ⑧ Bouton de rotation
- ⑨ Housse du harnais d'épaule
- ⑩ Insert pour bébé



- ⑪ Levier de réglage du support de tête
- ⑫ Bouton de réglage ISOFIX
- ⑬ Jambe de force
- ⑭ Bouton de réglage de la jambe de force
- ⑮ Connecteur ISOFIX
- ⑯ Rangement du manuel d'instructions
- ⑰ Guides des attaches ISOFIX
- ⑱ Protection contre les chocs latéraux

*doit être utilisé uniquement du côté de la porte

FR IMPORTANT

LISEZ ATTENTIVEMENT CES INSTRUCTIONS AVANT LA PREMIÈRE UTILISATION ET CONSERVEZ-LES. LA SÉCURITÉ DE VOTRE ENFANT POURRAIT ÊTRE COMPROMISE SI VOUS NE SUIVEZ PAS CES INSTRUCTIONS.

⚠️ AVERTISSEMENT :
IMPORTANT, CONSERVER POUR CONSULTATION ULTÉRIEURE :
LIRE ATTENTIVEMENT.

Soyez informé que les éléments rigides et les pièces en plastique du dispositif de retenue amélioré pour enfants doivent être situés et installés de sorte qu'ils ne soient pas susceptibles de se coincer sous un siège mobile ou dans une porte du véhicule.

N'utilisez PAS les systèmes de retenue améliorés pour enfants dos à la route dans aux places assises où un airbag frontal actif est installé.

Pour utiliser ce dispositif de retenue amélioré pour enfants conformément à la réglementation UN N° 129/03, votre enfant doit respecter les conditions suivantes.

Mode dos à la route : Taille de l'enfant 40 cm - 105 cm / max. 19 kg ;

Mode face à la route : Taille de l'enfant 76 cm - 105 cm / max. 19 kg ;

Mode rehausseur : Taille de l'enfant

100 cm - 125 cm / max. 25 kg ;
 IMPORTANT - NE PAS UTILISER FACE À LA ROUTE AVANT QUE L'ÂGE DE L'ENFANT ATTEIGNE 15 MOIS (voir les instructions).

Le dispositif de retenue amélioré pour enfant peut ne pas s'adapter à tous les véhicules homologués en raison des compartiments de rangement ou de l'espace limité sur le toit du véhicule. En cas de doute, veuillez contacter votre revendeur ou nous contacter.

Les sangles qui maintiennent le dispositif de retenue amélioré pour enfants dans le véhicule doivent être serrées, la jambe de force doit être en contact avec le plancher du véhicule, les sangles qui retiennent l'enfant doivent être ajustées au corps de l'enfant et ces sangles ne doivent pas être enroulées.

Après avoir placé votre enfant dans le dispositif de retenue amélioré, la ceinture de sécurité doit être utilisée correctement. Veuillez vérifier que toute sangle sous-abdominale est installée vers le bas, de manière à ce que le bassin soit fermement engagé, ceci est important.

Ce dispositif de retenue amélioré pour enfants doit être remplacé s'il a été soumis à des tensions violentes dans un accident. Un accident peut les endommager, même si vous ne voyez pas les dommages.

Soyez conscient du danger d'apporter des modifications ou des ajouts au dispositif sans l'approbation de l'autorité concernée ainsi que du danger de ne pas respecter strictement les instructions d'installation fournies par le fabricant du dispositif de retenue amélioré pour enfants amélioré.

Veillez conserver ce dispositif de retenue amélioré pour enfants à l'écart de la lumière du soleil, car il pourrait devenir trop chaud pour la peau de l'enfant. Touchez toujours le dispositif de retenue amélioré pour enfants avant de placer l'enfant dedans.

Ne laissez PAS votre enfant sans surveillance avec ce dispositif de retenue pour enfants amélioré.

Tout bagage et autres objets susceptibles de causer des blessures en cas de collision doivent être correctement sécurisés.

Le dispositif de retenue amélioré pour enfants NE DOIT PAS être utilisé sans les pièces souples.

Les pièces souples ne doivent pas être remplacées par des pièces autres que celles recommandées par le fabricant, car les pièces souples font partie intégrante des performances du dispositif de retenue.

Veillez vérifier si ce dispositif de retenue amélioré pour enfants peut

être installé correctement dans votre véhicule avant de l'acheter.

AUCUN dispositif de retenue amélioré pour enfants ne peut garantir une protection complète contre les blessures en cas d'accident. Cependant, une bonne utilisation de ce dispositif de retenue amélioré pour enfants réduira les risques de blessures sérieuses ou de mort pour votre enfant.

N'installez PAS ce dispositif de retenue amélioré pour enfants sans respecter les instructions de ce manuel, ou vous pourriez exposer votre enfant à un risque élevé de blessures ou de mort.

N'utilisez PAS ce dispositif de retenue amélioré pour enfants si des pièces sont endommagées ou manquantes.

Ne faites PAS porter à votre enfant des vêtements trop amples/grands, car cela pourrait l'empêcher d'être bien attaché par les sangles du harnais pour les épaules et le harnais entre les jambes.

Les instructions doivent être conservées sur le système de retenue amélioré pour enfants pendant sa durée de vie.

Veillez également respecter les instructions et les avertissements figurant dans le manuel du constructeur du véhicule.

Informations sur le produit

Pour une installation avec le système ISOFIX

1. Il s'agit d'un système de retenue amélioré pour enfants i-Size. Il est approuvé conformément à la réglementation UN n°129 pour une utilisation dans des positions de sièges de véhicules compatibles i-Size comme indiqué par le constructeur dans le manuel de l'utilisateur du véhicule.
2. En cas de doute, consultez le fabricant du système de retenue amélioré pour enfants ou le distributeur.

Pour l'installation avec une ceinture à 3 points

Pour l'installation avec une ceinture à 3 points + un système ISOFIX

1. Il s'agit d'un système de retenue amélioré pour enfants à rehausseur i-Size. Son utilisation est approuvée conformément à la réglementation UN N° 129, principalement dans des « positions de sièges i-Size » comme indiqué par le constructeur du véhicule dans le manuel de l'utilisateur du véhicule.
2. En cas de doute, consultez le fabricant du système de retenue amélioré pour enfants ou le distributeur.

Matériaux Plastiques, métaux, tissu

N° de brevet Brevets en attente

Problèmes liés à l'installation

Voir les images **1** - **4**

Utilisation du dispositif de protection contre les chocs latéraux

Voir les images **5** - **6**

! Le dispositif de retenue amélioré pour enfants est livré avec un module de protection contre les chocs latéraux amovible. Insérez le module de protection contre les chocs latéraux sur le côté le plus proche de la porte. L'installation est indiquée dans

5

6

Appuyez sur le bouton d'ouverture pour retirer le dispositif de protection contre les chocs latéraux.

Réglage de la hauteur

du repose-tête et du harnais pour épaules

Voir les images 7 - 10

- ! Veuillez ajuster le support de tête et vérifier si les harnais d'épaules sont à la bonne hauteur conformément à 7 8 9 10.
- ! En cas d'utilisation dos à la route, la hauteur des harnais d'épaules doit être au niveau ou en dessous du sommet des épaules de l'enfant. 7
- ! En cas d'utilisation face à la route, la hauteur des harnais d'épaules doit être au niveau ou juste au dessus du sommet des épaules de l'enfant. 8
- ! En cas d'utilisation en mode rehausseur, les harnais d'épaules doivent être au niveau des épaules de l'enfant. 9
- ! Appuyez sur le levier d'ajustement du support de tête et relevez ou abaissez le support de tête jusqu'à ce qu'il s'enclenche dans l'une des 7 positions, comme indiqué dans 10.

Réglage de l'inclinaison

Voir les images 11 - 13

- ! Appuyez sur le bouton de réglage de l'inclinaison, pour ajuster le dispositif de retenue amélioré pour enfants à la position souhaitée. 11 12 13
- ! Il y a 6 positions d'inclinaison pouvant être utilisées pour le mode dos à la route et le mode face à la route. 12 13

Installation de la base

Voir les images 14 - 20

- ! Insérez les guides ISOFIX pour faciliter l'installation. 14
- ! Appuyez sur le bouton de réglage ISOFIX pour étendre l'ISOFIX. 16 -1& 16 -2
- ! Vérifiez que les deux connecteurs ISOFIX sont bien attachés aux points d'ancrage ISOFIX. Les indicateurs des deux connecteurs ISOFIX doivent être complètement verts. 17 -1
- ! Appuyez à nouveau sur les boutons de réglage ISOFIX tout en poussant le dossier de siège jusqu'à ce qu'il entre en contact avec le dossier du siège du véhicule.

! Après avoir attaché l'ISOFIX, tirez la jambe de force vers le bas jusqu'au plancher. Si l'indicateur de la jambe de force est vert, celle-ci est installée correctement. 17 -2

! Appuyez sur le bouton de déverrouillage de la jambe de force, puis ajustez la longueur de celle-ci. 17 -3

! Assurez-vous toujours que la jambe de force est en contact direct avec le sol et qu'elle est en position verrouillée même lorsque l'enfant n'est pas dans le siège.

Retrait de la base

! Pour le retirer du véhicule, appuyez sur le bouton de réglage ISOFIX et tirez la base du siège. Puis appuyez et relâchez les connecteurs du système ISOFIX du véhicule. 19

! Pour éviter tout dommage pendant le transport, appuyez sur le bouton de réglage ISOFIX 20 -1 et pliez complètement le connecteur. 20 -2

Utilisation en mode dos à la route (Taille de l'enfant 40 cm - 105 cm / Poids de l'enfant ≤ 19 kg /

bébé - environ 4 ans)

Voir les images 21 - 30

! Veuillez installer le dispositif de retenue amélioré pour enfants sur le siège arrière du véhicule, puis placez l'enfant dans le dispositif de retenue amélioré pour enfants.

! Veuillez faire coulisser le dispositif de verrouillage Smart vers la gauche lorsque le dispositif de retenue amélioré pour enfants est utilisé en mode dos à la route. 21

! Appuyez sur le bouton de réglage ISOFIX et retirez la base du siège du véhicule. 22

! Appuyez sur le bouton de rotation afin de le tourner pour une installation/un retrait latéral plus facile de l'enfant, puis tournez le siège en position dos à la route. 23 24

! Appuyez sur le bouton de rotation sur l'un des deux côtés pour tourner le dispositif de retenue pour enfants amélioré.

Sécuriser l'enfant

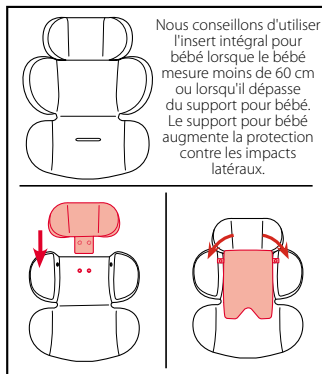
! Pour allonger les sangles du harnais d'épaules, appuyez sur le bouton de réglage du harnais tout en tirant le harnais d'épaules pour les desserrer. 25

! Déverrouillez la boucle du

harnais en appuyant sur le bouton rouge.

- ! Attachez les boucles de chaque côté du siège aux marques **27** pour que le positionnement de l'enfant en mode dos à la route soit plus pratique.

Utiliser le support pour bébé



- ! Placez l'enfant dans le dispositif de retenue amélioré pour enfants et passez les deux bras à travers le harnais.
- ! Engagez la boucle. Veuillez consulter **28**
- ! Tirez la sangle de réglage et ajustez-la à la bonne longueur pour vous assurer que votre enfant est correctement attaché. **29**
- ! Maintenez toujours l'enfant attaché dans le harnais et

correctement serré en éliminant le jeu éventuel.

- ! Vérifiez que l'espace entre l'enfant et les sangles du harnais pour épaules fait environ l'épaisseur d'une main.
- ! Assurez-vous toujours que le siège est en position verrouillée (dos à la route / face à la route) même lorsque l'enfant n'est pas dedans.

Utilisation du mode face à la route

(Taille de l'enfant 76 cm - 105 cm / Poids de l'enfant ≤ 19 kg / 15 mois - environ 4 ans)

Voir les images **31** - **38**

- ! Veuillez installer le dispositif de retenue amélioré pour enfants sur le siège arrière du véhicule, puis placez l'enfant dans le dispositif de retenue amélioré pour enfants.
- ! Veuillez faire coulisser le dispositif de verrouillage Smart vers la droite lorsque le dispositif de retenue amélioré pour enfants est utilisé en mode face à la route. **31**

- ! Appuyez sur le bouton de rotation afin de le tourner pour une installation/un retrait latéral plus facile de l'enfant, puis tournez le siège en position face à l'avant. **32** **33**
- ! Appuyez sur le bouton de rotation sur l'un des deux côtés pour tourner le dispositif de retenue pour enfants amélioré.

Sécuriser l'enfant

- ! Pour allonger les sangles du harnais d'épaules, appuyez sur le bouton de réglage du harnais tout en tirant le harnais d'épaules pour les desserrer. **34**
- ! Déverrouillez la boucle des harnais en appuyant sur le bouton rouge. **35**
- ! Retirez l'insert pour bébé en mode face à l'avant. **36**
- ! Placez les languettes de la boucle sur le bord extérieur du dispositif de retenue amélioré pour enfants pour que les languettes soient maintenues en place.
- ! Placez l'enfant dans le dispositif de retenue amélioré pour enfants et passez les deux bras à travers le harnais.
- ! Engagez la boucle.
- ! Tirez la sangle de réglage et ajustez-la à la bonne longueur

pour vous assurer que votre enfant est correctement attaché.

37

- ! Assurez-vous toujours que le siège est en position verrouillée (dos à la route / face à la route) même lorsque l'enfant n'est pas dedans.
- ! Les connecteurs ISOFIX doivent être attachés et verrouillés sur les points d'ancrage ISOFIX. **38** -1
- ! La jambe de force doit être installée correctement avec l'indicateur vert. **38** -2
- ! Maintenez toujours l'enfant attaché dans le harnais et correctement serré en éliminant le jeu éventuel.
- ! NE PAS utiliser en mode face à la route à moins que votre enfant ne mesure au moins 76 cm ET ait au moins 15 mois.

Utilisation en mode rehausseur (Taille de l'enfant 100 cm - 125 cm / Poids de l'enfant ≤ 25 kg)

Voir les images **39** - **46**

- ! Veuillez installer le dispositif de retenue amélioré pour enfants sur le siège arrière du véhicule,

puis placez l'enfant dans le dispositif de retenue amélioré pour enfants.

- ! Veuillez faire coulisser le dispositif de verrouillage Smart vers la droite lorsque le dispositif de retenue amélioré pour enfants est utilisé en mode rehausseur. **39**

Sécuriser l'enfant

- ! Déverrouillez la boucle des harnais en appuyant sur le bouton rouge. **40**
- ! Retirez l'insert pour bébé en mode rehausseur.
- ! Rangez la sangle d'entrejambe, la sangle d'épaule et les housses dans les compartiments. **42**
- ! Réglez l'appui-tête de façon à ce que le bas de l'appui-tête soit au niveau des épaules de l'enfant.
- ! Bouclez la ceinture du véhicule.
- ! La ceinture d'épaule doit passer dans le guide de la ceinture d'épaule. **46** -2
- ! Les indicateurs des deux connecteurs d'attache ISOFIX doivent être complètement verts.
- ! L'installation avec des connecteurs ISOFIX en mode rehausseur est optionnelle. Si des connecteurs ISOFIX sont

utilisés, assurez-vous que les indicateurs colorés des deux connecteurs sont complètement verts lorsqu'ils sont fixés aux points d'ancrage. **46** -1

- ! La jambe de force doit être installée correctement avec l'indicateur vert. **46** -3
- ! Le dispositif de retenue amélioré pour enfants ne peut pas être utilisé si la boucle de ceinture de sécurité du véhicule (extrémité femelle de la boucle) est trop longue pour fixer le dispositif de retenue amélioré pour enfants de façon sûre. **46** -4

Détacher les parties souples

Voir les images **47** - **52**

Appuyez sur le bouton rouge pour désengager la boucle. **47**

Suivez les étapes **48** - **52** pour détacher les parties souples.

Pour fixer à nouveau les parties souples, veuillez répéter les étapes ci-dessus dans l'ordre inverse.

Entretien et maintenance

Veuillez laver la housse du siège et le rembourrage interne à l'eau froide, à moins de 30°C.

Ne repassez pas les pièces souples.

Ne nettoyez pas les pièces souples à sec ou à l'eau de javel.

Ne pas utiliser de détergents non dilués, de l'essence ou d'autres solvants organiques pour laver le dispositif de retenue pour enfants. Cela pourrait endommager le dispositif de retenue pour enfants.

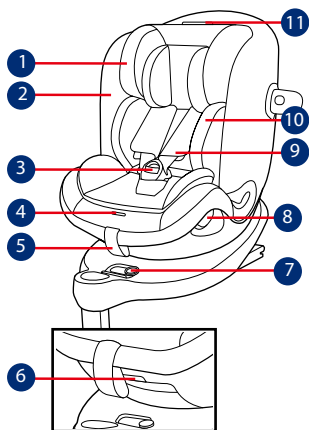
N'essorez pas la housse du siège et le rembourrage interne pour les sécher. Cela pourrait laisser des plis sur la housse de siège et le rembourrage interne.

Veuillez laisser sécher la housse du siège et le rembourrage interne à l'ombre.

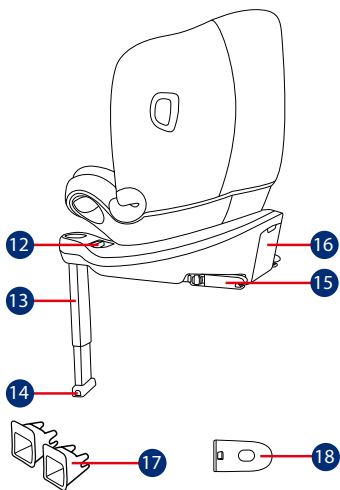
Retirez le dispositif de retenue pour enfants du siège du véhicule si vous n'allez pas l'utiliser pendant une longue période. Placez le dispositif de retenue pour enfants dans un lieu frais et sec, hors de portée des enfants.

Ne manipulez pas les connecteurs du harnais pendant le nettoyage.

gracobaby.eu
www.gracobaby.pl



- 1 Kopfstütze
- 2 Sitzauflage
- 3 Schnalle
- 4 Gurtverstellknopf
- 5 Gurtführungseinstellung
- 6 Neigungseinstellknopf
- 7 Schwenkretterung aus
- 8 Drehknopf
- 9 Schultergurtbezüge
- 10 Babyeinsatz



- 11 Kopfstützenversteller
- 12 ISOFIX-Einstellknopf
- 13 Standbein
- 14 Standbein-Einstellknopf
- 15 ISOFIX-Verbinder
- 16 Fach für Gebrauchsanweisung
- 17 ISOFIX-Befestigungsführungen
- 18 Seitenaufprallschutz

*Darf nur an Türseite genutzt werden

DE WICHTIG

LESEN SIE DIE ANWEISUNGEN VOR DER BENUTZUNG AUFMERKSAM DURCH, BEWAHREN SIE SIE ZUM KÜNFTIGEN NACHSCHLAGEN AUF. DIE SICHERHEIT IHRES KINDES STEHT AUF DEM SPIEL, FALLS SIE DIESE ANWEISUNGEN IGNORIEREN.

⚠️ WARNUNG:
WICHTIG, ZUR KÜNFTIGEN BEZUGNAHME AUFBEWAHREN: SORGFÄLTIG LESEN.

Achten Sie darauf, dass feste Gegenstände und Kunststoffteile des verstärkten Kinderrückhaltesystems so platziert und installiert sind, dass sie nicht von einem beweglichen Sitz oder in einer Tür des Fahrzeugs eingeklemmt werden.

Verwenden Sie entgegen der Fahrtrichtung ausgerichtete Kinderrückhaltesysteme NICHT in Sitzpositionen, an denen ein aktiver Front-Airbag installiert ist.

Zur Nutzung dieses fortschrittlichen Kinderrückhaltesystems entsprechend der UN-Richtlinie Nr. 129/03 muss Ihr Kind die folgenden Voraussetzungen erfüllen.

Rückwärts gerichteter Modus:
 Körpergröße des Kindes 40 bis 105 cm/max. 19kg;

Vorwärts gerichteter Modus:
 Körpergröße des Kindes 76 bis 105 cm/max. 19kg;

Sitzerhöhungsmodus: Körpergröße des Kindes 100 – 125 cm/max. 25 kg

Wichtig – nicht in Fahrtrichtung verwenden, bevor das Kind älter als 15 Monate ist (siehe Anweisungen).

Das fortschrittliche Kinderrückhaltesystem passt aufgrund der Aufbewahrungsfächer oder aufgrund des beschränkten Platzes bis zum Fahrzeugdach möglicherweise nicht in alle zugelassenen Fahrzeuge. Wenden Sie sich im Zweifelsfall an Ihren Händler oder direkt an uns.

Jegliche Gurte, die das fortschrittliche Kinderrückhaltesystem im Fahrzeug halten, müssen sicher festgezogen sein. Stützbeine müssen Kontakt zum Fahrzeugboden haben. Das Kind fixierende Riemen müssen an den Körper des Kindes angepasst sein, Riemen dürfen nicht verdreht sein.

Bringen Sie den Sicherheitsgurt richtig an, nachdem Sie Ihr Kind in dieses fortschrittliche Kinderrückhaltesystem gesetzt haben. Stellen Sie sicher, dass der Beckengurt so tief wie möglich angelegt ist, damit das Becken sicher gehalten wird.

Dieses Kinderrückhaltesystem sollte ersetzt werden, wenn sie übermäßiger Belastung in einem Unfall ausgesetzt waren. Ein Unfall kann es beschädigen, ohne sichtbare Spuren aufzuweisen.

Beachten Sie die Gefahren durch nicht von einer zuständigen Stelle zugelassenen Veränderungen oder Ergänzungen an diesem Produkt. Beachten Sie außerdem die Gefahren bei Nichteinhaltung der Installationsanweisungen des Herstellers eines Kinderrückhaltesystems.

Bitte platzieren Sie dieses fortschrittliche Kinderrückhaltesystem nicht im direkten Sonnenlicht; andernfalls kann es zu heiß für die Haut Ihres Kindes werden. Fassen Sie das Kinderrückhaltesystem immer erst an, bevor Sie das Kind hineinsetzen.

Ihr Kind NIEMALS unbeaufsichtigt im fortschrittlichen Kinderrückhaltesystem zurücklassen.

Gepäck und andere Gegenstände, die bei einem Unfall Verletzungen verursachen könnten, sollten angemessen gesichert werden.

Das fortschrittliche Kinderrückhaltesystem sollte NICHT ohne die Textilteile verwendet werden.

Die Textilteile sollten ausschließlich durch die vom Hersteller empfohlenen Teile ersetzt werden, da sie das Verhalten des Kinderrückhaltesystems wesentlich beeinflussen.

Bitte vergewissern Sie sich,

dass dieses fortschrittliche Kinderrückhaltesystem richtig in Ihrem Fahrzeug installiert werden kann.

KEIN Kinderrückhaltesystem kann vollständigen Schutz vor Verletzungen bei einem Unfall garantieren. Dennoch reduziert der ordnungsgemäße Einsatz dieses fortschrittlichen Kinderrückhaltesystems die Gefahr ernsthafter oder tödlicher Verletzungen Ihres Kindes.

Installieren oder verwenden Sie das verstärkte Kinderrückhaltesystem NICHT, ohne die Anweisungen in dieser Anleitung zu befolgen; andernfalls drohen Ihrem Kind ernsthafte oder gar tödliche Verletzungen.

Verwenden Sie dieses verstärkte Kinderrückhaltesystem NICHT, falls es beschädigt ist oder Teile fehlen.

Ziehen Sie Ihrem Kind beim Einsatz dieses verstärkten Kinderrückhaltesystems im Fahrtrichtung-Modus KEINE übergroßen Kleidungsstücke an; andernfalls kann Ihr Kind nicht ordnungsgemäß und zuverlässig über die Schultergurte und den Schrittgurt zwischen den Beinen gesichert werden.

Die Anweisungen sollten während der Einsatzzeit beim verstärkten

Kinderrückhaltesystem aufbewahrt werden.

Bitte beachten Sie außerdem die Anweisungen und Warnhinweise im Handbuch des Fahrzeugherstellers.

Produktinformationen

Installation mit ISOFIX-System

1. Dies ist ein verstärktes „i-Size“-Kinderrückhaltesystem. Es ist gemäß UN-Richtlinie Nr. 129 für die Verwendung in „i-Size“-kompatiblen Fahrzeugsitzpositionen zugelassen, wie vom Fahrzeughersteller im Handbuch Ihres Fahrzeugs aufgeführt ist.
2. Bitte wenden Sie sich im Zweifelsfall an den Hersteller oder Händler des verstärkten Kinderrückhaltesystems.

Zur Installation mit 3-Punkt-Gurt Zur Installation mit 3-Punkt-Gurt und ISOFIX-System

1. Diese Kindersitzerhöhung ist ein verstärktes „i-Size“-Kinderrückhaltesystem. Es ist gemäß UN-Regelung No.129 primär für die Verwendung in „i-Size“-Sitzpositionen zugelassen, wie vom Fahrzeughersteller im Handbuch Ihres Fahrzeugs aufgeführt ist.
2. Bitte wenden Sie sich im

Zweifelsfall an den Hersteller oder Händler des verstärkten Kinderrückhaltesystems.

Materialien Kunststoff, Metall, Stoff
Patentnr. Patente angemeldet

Hinweise zur Installation

Siehe Abbildungen **1** - **4**

Seitlichen Aufprallschutz verwenden

Siehe Abbildungen **5** - **6**

- ! Das fortschrittliche Kinderrückhaltesystem wird mit abnehmbarem seitlichem Aufprallschutz geliefert. Setzen Sie den seitlichen Aufprallschutz an der Seite ein, die der Tür am nächsten ist. Installation in **5**.
- 6** Drücken Sie zum Entfernen des seitlichen Schutz den Freigabeknopf.

Höhenanpassung für Kopfstütze und Schultergurte

Siehe Abbildungen 7 - 10

- ! Bitte passen Sie die Kopfstütze an und prüfen Sie, ob sich die Schultergurte entsprechend 7 8 9 10 in der richtigen Höhe befinden.
- ! Bei Verwendung im rückwärts gerichteten Modus müssen die Schultergurte gleich hoch wie die Oberseite der Schultern des Kindes oder knapp darunter verlaufen. 7
- ! Bei Verwendung im vorwärts gerichteten Modus müssen die Schultergurte gleich hoch wie die Oberseite der Schultern des Kindes oder knapp darüber verlaufen. 8
- ! Bei Verwendung im Sitzserhöhungsmodus müssen die Schultergurtführungen auf Höhe der Schultern des Kindes liegen. 9
- ! Drücken Sie den Kopfstützeinstellhebel und ziehen Sie die Kopfstütze nach oben bzw. drücken Sie sie hinunter, bis sie in einer der 7 Positionen einrastet; vgl. 10.

Neigungseinstellung

Siehe Abbildungen 11 - 13

- ! Drücken Sie den Neigungseinstellknopf zur Anpassung der gewünschten Position des fortschrittlichen Kinderrückhaltesystems. 11 12 13
- ! Es gibt 6 Neigungspositionen, die für in und entgegen der Fahrtrichtung genutzt werden können. 12 13

Basis installieren

Siehe Abbildungen 14 - 20

- ! Stecken Sie als Hilfestellung bei der Installation die ISOFIX-Führungen hinein. 14
- ! Drücken Sie zum Verlängern des ISOFIX den ISOFIX-Einstellknopf. 16 -1 und 16 -2
- ! Achten Sie darauf, dass beide ISOFIX-Befestigungen gut an ihren ISOFIX-Verankerungspunkten befestigt sind. Die Anzeigen an beiden ISOFIX-Befestigungen sollten vollständig grün sein. 17 -1
- ! Drücken Sie die ISOFIX-Einstellknöpfe erneut, während Sie den Sitz nach hinten drücken, bis er die Rückenlehne

des Fahrzeugsitzes berührt.

- ! Ziehen Sie das Standbein nach ISOFIX-Anbringung nach unten zum Boden. Wenn die Standbeinanzeige grün ist, ist das Standbein richtig installiert. 17 -2
- ! Drücken Sie den Standbein-Freigabeknopf zusammen. Verkürzen Sie dann das Standbein, indem Sie die Länge anpassen. 17 -3
- ! Achten Sie immer darauf, dass das Standbein direkten Kontakt mit dem Boden hat und verriegelt ist, selbst wenn kein Kind im Produkt sitzt.

Basis ausbauen

- ! Zum Ausbau aus dem Fahrzeug müssen Sie auf den ISOFIX-Einstellknopf drücken und die Basis vom Sitz ziehen. Drücken Sie dann die ISOFIX-Verbindungen des Fahrzeugs und lassen Sie sie los. 19
- ! Verhindern Sie Schäden während des Übergangs, indem Sie den ISOFIX-Einstellknopf drücken 20 -1 und klappen Sie die Befestigung vollständig ein. 20 -2

Modus entgegen der Fahrtrichtung verwenden

(Körpergröße des Kindes 40 bis 105 cm/Gewicht des Kindes ≤ 19 kg/ Baby bis ca. 4 Jahre)

Siehe Abbildungen 21 - 30

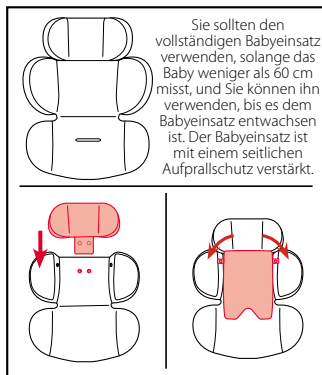
- ! Installieren Sie das fortschrittliche Kinderrückhaltesystem am Rücksitz eines Fahrzeugs, und setzen Sie das Kind dann in das fortschrittliche Kinderrückhaltesystem.
- ! Bitte schieben Sie die Smart-Verriegelung nach links, wenn das fortschrittliche Kinderrückhaltesystem entgegen der Fahrtrichtung genutzt wird. 21
- ! Drücken Sie den ISOFIX-Einstellknopf und ziehen Sie die Basis vom Fahrzeugsitz ab. 22
- ! Drücken Sie den Drehknopf, damit Sie das Kind leichter seitlich hineinsetzen/ herausnehmen können. Drehen Sie den Sitz dann in die rückwärts gerichtete Position. 23 24
- ! Drücken Sie den Drehknopf an beiden Seiten, damit

Sie das fortschrittliche Kinderrückhaltesystem drehen können.

Kind sichern

- ! Verlängern Sie die Schultergurtriemen, indem Sie den Gurtverstellknopf drücken, während Sie die Schultergurte zum Lösen herausziehen. **25**
- ! Lösen Sie den Gurt, indem Sie den roten Knopf drücken.
- ! Befestigen Sie die Schnallen an beiden Seiten des Sitze, mit **27** gekennzeichnet, damit sich das Kind im Modus entgegen der Fahrtrichtung komfortabler hineinsetzen lässt.

Verwendung des Babyeinsatz



- ! Setzen Sie das Kind in das fortschrittliche Kinderrückhaltesystem und

führen Sie beide Arme durch die Gurte.

- ! Schließen Sie die Schnalle. Bitte beachten Sie **28**
- ! Ziehen Sie die Gurtführung herab und stellen Sie sie auf die passende Länge ein, so dass Ihr Kind sicher ordnungsgemäß wird. **29**
- ! Achten Sie stets darauf, dass Ihr Kind sicher angeschnallt und gut befestigt ist, indem Sie jeglichen Durchhang beseitigen.
- ! Der Abstand zwischen dem Kind und dem Schulterriemen sollte etwa die Dicke einer Hand betragen.
- ! Achten Sie immer darauf, dass sich der Sitz in der verriegelten Position (entgegen der Fahrtrichtung / in Fahrtrichtung) befindet, selbst wenn kein Kind darin sitzt.

Modus in Fahrtrichtung verwenden

(Körpergröße des Kindes **76 bis 105 cm/Gewicht des Kindes ≤ 19 kg/15 Monate bis ca. 4 Jahre**)

Siehe Abbildungen **31 - 38**

- ! Installieren Sie das fortschrittliche Kinderrückhaltesystem am Rücksitz eines Fahrzeugs, und setzen Sie das Kind dann in das fortschrittliche Kinderrückhaltesystem.
- ! Bitte schieben Sie die Smart-Verriegelung nach rechts, wenn das fortschrittliche Kinderrückhaltesystem in Fahrtrichtung genutzt wird. **31**
- ! Drücken Sie den Drehknopf, damit Sie das Kind leichter seitlich hineinsetzen/ herausnehmen können. Drehen Sie den Sitz dann in die nach vorne gerichtete Position. **32**
- ! Drücken Sie den Drehknopf an beiden Seiten, damit Sie das fortschrittliche Kinderrückhaltesystem drehen können. **33**

Kind sichern

- ! Verlängern Sie die Schultergurtriemen, indem Sie den Gurtverstellknopf drücken, während Sie die Schultergurte zum Lösen herausziehen. **34**
- ! Lösen Sie die Schnalle der Gurte, indem Sie den roten Knopf drücken. **35**
- ! Entfernen Sie den Babykeil im Fahrtrichtung-Modus. **36**
- ! Platzieren Sie die Steckzungen an der Außenseite des fortschrittlichen Kinderrückhaltesystems so, dass die Zungen gehalten werden.
- ! Setzen Sie das Kind in das fortschrittliche Kinderrückhaltesystem und führen Sie beide Arme durch die Gurte.
- ! Schließen Sie die Schnalle.
- ! Ziehen Sie die Gurtführung herab und stellen Sie sie auf die passende Länge ein, so dass Ihr Kind sicher ordnungsgemäß wird. **37**
- ! Achten Sie immer darauf, dass sich der Sitz in der verriegelten Position (entgegen der Fahrtrichtung / in Fahrtrichtung) befindet, selbst wenn kein Kind darin sitzt.
- ! Die ISOFIX-Befestigungen müssen mit den ISOFIX-Verankerungspunkten verbunden und dort eingerastet sein. **38**-1
- ! Das Standbein muss richtig installiert sein, was durch eine grüne Anzeige überprüft werden kann. **38**-2
- ! Achten Sie stets darauf, dass Ihr Kind sicher angeschnallt und gut befestigt ist, indem Sie jeglichen Durchhang beseitigen.

- ! Verwenden Sie das Produkt NICHT im Modus in Fahrrichtung, bis das Kind mindestens 76 cm groß UND 15 Monate alt ist.

Sitzerhöhungsmodus verwenden

(Körpergröße des Kindes von 100 bis 125 cm/Gewicht des Kindes ≤ 25 kg)

Siehe Abbildungen 39 - 46

- ! Installieren Sie das fortschrittliche Kinderrückhaltesystem am Rücksitz eines Fahrzeugs, und setzen Sie das Kind dann in das fortschrittliche Kinderrückhaltesystem.
- ! Bitte schieben Sie die Smart-Verriegelung nach rechts, wenn das fortschrittliche Kinderrückhaltesystem im Sitzerhöhungsmodus genutzt wird. 39

Kind sichern

- ! Lösen Sie die Schnalle der Gurte, indem Sie den roten Knopf drücken. 40
- ! Entfernen Sie den Babykeil im Sitzerhöhung-Modus.
- ! Verstauen Sie den Schrittgurt

und das Schulterband mit Abdeckungen in den Fächern.

42 - 44

- ! Passen Sie die Kopfstütze so an, dass die Unterseite der Kopfstütze in einer Höhe mit den Schultern des Kindes ist.
- ! Sichern Sie den Fahrzeuggurt.
- ! Der Schultergurt muss durch die Schultergurtführung laufen. 46 -2
- ! Die Anzeigen an beiden ISOFIX-Befestigungsanschlüssen sollten vollständig grün sein.

- ! Die Installation mit ISOFIX-Verbindern im Sitzerhöhungsmodus ist optional. Wenn die ISOFIX-Verbinder genutzt werden, achten Sie darauf, dass die Anzeigefarben an beiden Verbindern bei Anbringung an den Verankerungspunkten vollständig grün sind. 46 -1

- ! Das Standbein muss richtig installiert sein, was durch eine grüne Anzeige überprüft werden kann. 46 -3

- ! Das verstärkte Kinderrückhaltesystem kann nicht verwendet werden, wenn der Verschluss (Gurtschloss) des Fahrzeugsicherheitsgurtes zu lang ist, um das verstärkte Kinderrückhaltesystem fest zu

verankern. 46 -4

Textilteile entfernen

Siehe Abbildungen 47 - 52

Drücken Sie den roten Knopf zum Lösen der Schnalle. 47

Befolgen Sie zum Entfernen der Textilteile die Schritte 48 - 52.

Bringen Sie die Textilteile wieder an, indem Sie die obigen Schritte in umgekehrter Reihenfolge befolgen.

Pflege und Wartung

Bitte waschen Sie den Sitzbezug und das Innenpolster mit kaltem Wasser unter 30 °C.

Sie dürfen die Textilteile nicht bügeln.

Sie dürfen die Textilteile nicht bleichen oder in die chemische Reinigung geben.

Reinigen Sie dieses Kinderrückhaltesystem nicht mit unverdünnten Reinigungsmitteln Benzin oder anderen organischen Lösungsmitteln. Diese können das Kinderrückhaltesystem beschädigen.

Wringen Sie Sitzbezug und Innenpolster zum Trocknen nicht aus. Andernfalls könnten im Sitzbezug und am Innenpolster Falten

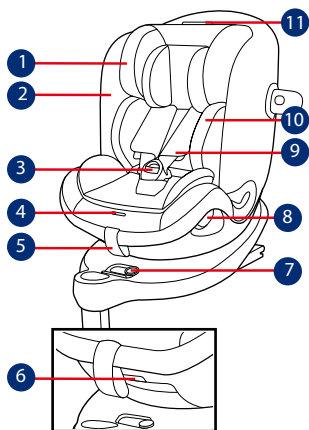
zurückbleiben.

Bitte hängen Sie den Sitzbezug und das Innenpolster zum Trocknen im Schatten auf.

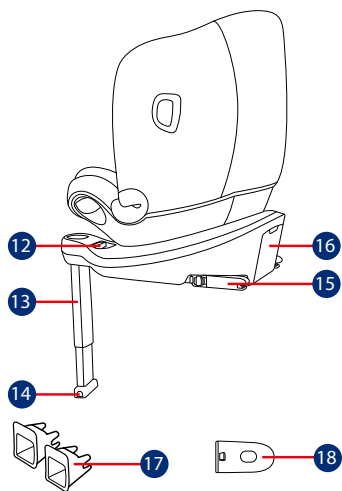
Nehmen Sie das Kinderrückhaltesystem bitte aus dem Fahrzeugsitz heraus, wenn es längere Zeit nicht verwendet wird. Bewahren Sie das Kinderrückhaltesystem an einem kühlen, trockenen Ort außerhalb der Reichweite des Kindes auf.

Nehmen Sie während der Reinigung keine Änderungen an den Gurtverbindern vor.

gracobaby.eu
www.gracobaby.pl



- 1 Hoofdsteen
- 2 Zitkussen
- 3 Gesp
- 4 Instelknop voor de riemen
- 5 Instellen gordel
- 6 Instelknop schuine stand
- 7 Draaiontgrendeling
- 8 Draaiknop
- 9 Afdekkingen schouderriemen
- 10 Baby-inzetstuk



- 11 Instelhendel voor hoofdsteen
 - 12 ISOFIX-instelknop
 - 13 Steunvoet
 - 14 Instelknop steunvoet
 - 15 ISOFIX-aansluiting
 - 16 Opbergvak instructiehandleiding
 - 17 ISOFIX-bevestigingsgeleiders
 - 18 Bescherming voor inslag opzij
- *mag alleen worden gebruikt aan deurszijde

NL BELANGRIJK

LEES DEZE INSTRUCTIES VÓÓR HET GEBRUIK EN BEWAAR ZE OM ZE LATER TE KUNNEN RAADPLEGEN. HET NIET VOLGEN VAN DEZE INSTRUCTIES KAN GEVOLGEN HEBBEN VOOR DE VEILIGHEID VAN UW KIND.

⚠️ WAARSCHUWING: BELANGRIJK, BEWAREN VOOR LATER GEBRUIK: AANDACHTIG LEZEN.

Wees geïnformeerd dat de stugge items en plastic onderdelen van een verbeterd kinderzitje zo moeten worden geplaatst en geïnstalleerd dat ze niet klem kunnen komen door een verplaatsbare stoel of in een deur van het voertuig.

Gebruik NIET de naar achteren kijkende verbeterde kinderzitssystemen in stoelposities waarbij een actieve frontale airbag is geïnstalleerd.

Om dit verbeterde kinderzitje volgens de VN-verordening nr. 129/03 te kunnen gebruiken, moet uw kind aan de volgende voorwaarden voldoen.

Achteruit kijkende modus: Lengte kind 40cm-105cm/ max. 19kg;

Vooruit kijkende modus: Lengte kind 76cm-105cm/ max. 19kg;

Kinderstoelmodus: Lengte kind

100cm-125cm/max. 25kg;

BELANGRIJK - NIET VOORUIT KIJKEND GEBRUIKEN VOORDAT HET KIND OUDER IS DAN 15 MAANDEN (raadpleeg instructies).

Het verbeterde kinderzitje past wellicht niet in alle goedgekeurde voertuigen vanwege opslagcompartimenten of beperkte ruimte tot het dak van het voertuig. Neem bij twijfel contact op met uw verkoper of neem contact met ons op.

Alle riemen waarmee het verbeterde kinderzitje aan het voertuig is bevestigd, moeten strak zitten, elke steunvoet moet in contact staan met de bodem van het voertuig, de riemen die het kind vasthouden, moeten zijn afgesteld op het lichaam van het kind, en de riemen mogen niet verdraaid zijn.

Nadat uw kind in dit verbeterde kinderzitje is geplaatst, moet de veiligheidsriem op de juiste manier worden gebruikt. Zorg ervoor dat elke middelriem laag wordt gedragen, zodat het bekken stevig vast zit.

Dit verbeterde kinderzitje moet worden vervangen als ze onderworpen zijn geweest aan zware spanningen bij een ongeluk. Een ongeluk kan daar schade aan veroorzaken die u niet kunt zien.

Houd rekening met het gevaar van het aanbrengen van veranderingen of aanvullingen aan het apparaat zonder goedkeuring van de aangewezen instantie, en het gevaar van het niet nauwkeurig volgen van de aanwijzingen als geleverd door de fabrikant van het verbeterde kinderzitje.

Houd dit verbeterde kinderzitje uit de buurt van zonlicht, anders kan het te heet worden voor de huid van uw kind. Raak het verbeterde kinderzitje altijd aan voordat u het kind er in plaatst.

Laat uw kind NIET zonder toezicht achter in het verbeterde kinderzitsysteem.

Bagage en andere voorwerpen die in geval van botsing letsel kunnen veroorzaken, moeten goed zijn vastgezet.

GEBRUIK het verbeterde kinderzitje NIET zonder de zachte onderdelen.

Vervang de zachte onderdelen alleen door de onderdelen die door de fabrikant worden aanbevolen omdat de zachte onderdelen een integraal onderdeel vormen van de werking van het kinderzitje.

Controleer of dit verbeterde kinderzitje juist kan worden geïnstalleerd in uw voertuig voordat u het aanschaft.

GEEN ENKEL verbeterd kinderzitje

biedt volledige bescherming tegen letsel bij een ongeluk. Maar het juiste gebruik van het verbeterde kinderzitje vermindert het risico van ernstig letsel of de dood.

Installeer dit verbeterde kinderzitje NIET zonder de aanwijzingen en waarschuwingen in deze handleiding te volgen, anders brengt u uw kind ernstig in gevaar.

Gebruik dit verbeterde kinderzitje NIET als het is beschadigd of als onderdelen ontbreken.

Kleed uw kind NIET in te ruimzittende kleding, omdat dit kan voorkomen dat uw kind, goed en stevig wordt vastgezet met de schoudergordels en de kruisriem tussen de benen.

De instructies moeten gedurende de gehele levensduur worden bewaard bij het verbeterde kinderzitje.

Let tevens op de instructies en waarschuwingen in het handboek van de fabrikant van het voertuig.

Productinformatie

Voor installatie met het ISOFIX-systeem

1. Dit is een i-Size verbeterd kinderzitsysteem. Het is goedgekeurd volgens VN-verordening nr. 129 voor gebruik in voor "i-Size geschikte" standen van autostoelen zoals is aangegeven

door de fabrikant van de auto in de handleiding.

2. Neem in geval van twijfel contact op met de fabrikant van het verbeterde kinderzitsysteem of de verkoper.

Voor installatie met driepuntsgordel Voor installatie met driepuntsgordel + ISOFIX-systeem

1. Dit is een i-Size kinderzitje met verbeterd veiligheidsriemsysteem. Het is goedgekeurd volgens VN-verordening nr. 129 voor gebruik in voornamelijk "i-Size-zitstanden" zoals is aangegeven door de fabrikant van de auto in de handleiding.

2. Neem in geval van twijfel contact op met de fabrikant van het verbeterde kinderzitsysteem of de verkoper.

Materiaal Kunststoffen, metaal, geweven stoffen

Patent nr. Patent aangevraagd

Opletten bij installatie

Zie afbeeldingen 1 - 4

Gebruik de afscherming voor inslag opzij

Zie afbeeldingen 5 - 6

! Dit verbeterde kinderzitje wordt geleverd met verwijderbare afscherming voor inslag opzij. Plaats de bescherming voor inslag opzij aan de zijde het dichtst bij de deur. Installatie getoond in 5.

6 Druk op de ontgrendelknop om de bescherming voor inslag opzij te verwijderen.

Hoogteafstelling voor hoofdsteun en schouderriemen

Zie afbeeldingen 7 - 10

! Pas de hoogteteun aan en controleer of de schouderriemen op de juiste hoogte zijn volgens 7 8 9 10.

! Bij gebruik in de achteruit kijkende modus moet de hoogte voor de schouderriemen gelijklopen met of net onder de schouders van het kind staan.

7

! Bij gebruik in de vooruit kijkende modus moet de hoogte voor de schouderriemen gelijklopen met of net boven de schouders van het kind staan. 8

! Bij gebruik in de kinderstoelmodus moet de hoogte voor de schouderriemen gelijklopen met de schouders

van het kind. **9**

- ! Druk op de hendel voor de afstelling van de hoofdsteun en trek de hoofdsteun op of druk het omlaag tot het in een van de 7 standen klikt, als getoond in **10**.

Instelling schuine stand

Zie afbeeldingen **11** - **13**

- ! Druk op instelknop schuinstand in om het verbeterde kinderzitje in de gewenste stand te zetten. **11** **12** **13**
- ! Er zijn 6 schuine standen die kunnen worden gebruikt voor zowel achteruit kijkende modus als vooruit kijkende modus. **12** **13**

Installatie van voet

Zie afbeeldingen **14** - **20**

- ! Plaats ISOFIX-geleiders om te helpen bij de installatie. **14**
- ! Druk op de ISOFIX-instelknop om de ISOFIX te verlengen. **16** -1 & **16** -2
- ! Controleer of beide ISOFIX-aansluitingen stevig vast zitten aan hun ISOFIX-ankerpunten. De kleur van de indicatoren op beide ISOFIX-connectoren moet

volledig groen zijn. **17** -1

- ! Druk nogmaals op de ISOFIX-instelknoppen terwijl u het zitje naar achteren drukt totdat het in contact komt met de rugleuning van de autostoel. **17** -1
- ! Na het bevestigen van de ISOFIX, trekt u de steunvoet omlaag naar de vloer. Als de indicator voor de steunvoet groen wordt, is deze goed geplaatst. **17** -2
- ! Knijp de ontgrendelknop van de steunvoet in en pas dan de lengte van de steunvoet aan. **17** -3
- ! Zorg er altijd voor dat de steunvoet in direct contact staat met de vloer en in de vergrendelde stand staat, zelfs wanneer het kind er niet in zit.

De voet verwijderen

- ! Om de voet te verwijderen van het voertuig, drukt u op de ISOFIX-instelknop en trekt u de voet terug van de stoel. Druk vervolgens op de aansluitingen van de ISOFIX van het voertuig. **19**
- ! Voor het voorkomen van schade tijdens transport, drukt u op de ISOFIX-instelknop **20** -1 en vouwt u de aansluiting volledig. **20** -2

De achteruit kijkende modus gebruiken

(Lengte kind 40cm-105cm/
gewicht kind ≤ 19kg/
kind - ong. 4 jaar oud)

Zie afbeeldingen **21** - **30**

- ! Installeer het verbeterde kinderzitje op de achterbank en plaats het kind vervolgens in het verbeterde kinderzitje.
- ! Schuif de Smart-vergrendeling naar links wanneer het verbeterde kinderzitje in de achteruit kijkende modus wordt gebruikt. **21**
- ! Druk op de ISOFIX-instelknop en trek de voet terug van de stoel van het voertuig. **22**
- ! Druk op de draaiknop om te draaien voor eenvoudiger plaatsen/uitnemen van het kind aan de zijkant, en draai de stoel vervolgens naar de achteruit kijkende stand. **23** **24**
- ! Druk op de draaiknop op een van beide zijden voor het draaien van het verbeterde kinderzitje.

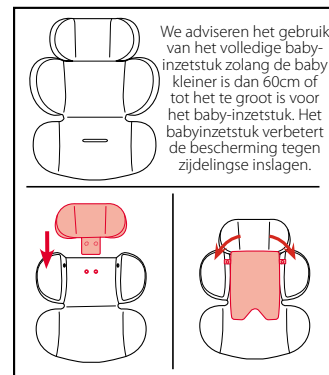
Het kind vastzetten

- ! Voor het verlengen van de schoudergordels, drukt u op de instelknop voor de riemen

terwijl u de schoudergordels eruit trekt om losser te maken. **25**

- ! Maak de gesp van de riem los door op de rode knop te drukken.
- ! Maak de gespen aan beide kanten van het zitje gemarkeerd als **27** vast, zodat u het kind gemakkelijker kunt plaatsen in de achteruit kijkende stand.

Het baby-inzetstuk gebruiken



- ! Zet het kind in het verbeterde kinderzitje en steek beide armen door de riemen.
- ! Maak de gesp vast. Raadpleeg **28**
- ! Trek de rieminstelling omlaag en stel hem op de juiste lengte af om ervoor te zorgen dat uw kind goed vast zit. **29**

- ! Houd het kind altijd goed vast in de gordels door het wegnemen van alle vrije ruimte.
- ! Zorg ervoor dat de ruimte tussen het kind en de schouderriemen ongeveer de dikte van een hand is.
- ! Zorg er altijd voor dat het zitje in de vergrendelde stand staat (naar achteren kijkend / naar voren kijkend), zelfs wanneer het kind er niet in zit.

De vooruit kijkende modus gebruiken

(Lengte kind 76cm-105cm/
gewicht kind ≤ 19kg/15
maanden - ong. 4 jaar oud)

Zie afbeeldingen 31 - 38

- ! Installeer het verbeterde kinderzitje op de achterbank en plaats het kind vervolgens in het verbeterde kinderzitje.
- ! Schuif de Smart-vergrendeling naar rechts wanneer het verbeterde kinderzitje in de vooruit kijkende modus wordt gebruikt. 31
- ! Druk op de draaiknop om te draaien voor eenvoudiger plaatsen/uitnemen van het kind aan de zijkant, en draai

stoel vervolgens naar de vooruit kijkende stand. 32 33

- ! Druk op de draaiknop op een van beide zijden voor het draaien van het verbeterde kinderzitje.

Het kind vastzetten

- ! Voor het verlengen van de schoudergordels, drukt u op de instelknop voor de riemen terwijl u de schoudergordels eruit trekt om losser te maken. 34

- ! Maak de gesp van de gordels los door op de rode knop te drukken. 35

- ! Verwijder het baby-inzetstuk in de vooruit kijkende modus. 36

- ! Plaats de gesptongen op de buitenzijde van het verbeterde kinderzitje zodat de tongen op de plaats worden gehouden.

- ! Zet het kind in het verbeterde kinderzitje en steek beide armen door de riemen.

- ! Maak de gesp vast.

- ! Trek de rieminstelling omlaag en stel hem op de juiste lengte af om ervoor te zorgen dat uw kind goed vast zit. 37

- ! Zorg er altijd voor dat het zitje in de vergrendelde stand staat (naar achteren kijkend / naar voren kijkend), zelfs wanneer het

kind er niet in zit.

- ! De ISOFIX-aansluitingen moeten worden aangesloten en vergrendeld in de ISOFIX-ankerpunten. 38 -1
- ! De steunvoet moet goed zijn geplaatst en de indicator moet groen zijn. 38 -2
- ! Houd het kind altijd goed vast in de gordels door het wegnemen van alle vrije ruimte.
- ! Gebruik de vooruit kijkende modus NIET tot uw kind ten minste 76cm EN 15 maanden oud is.

Gebruiken in de kinderstoelmodus

(Lengte kind 100cm-
125cm/ gewicht
kind ≤ 25kg)

Zie afbeeldingen 39 - 46

- ! Installeer het verbeterde kinderzitje op de achterbank en plaats het kind vervolgens in het verbeterde kinderzitje.
 - ! Schuif de Smart-vergrendeling naar rechts wanneer het verbeterde kinderzitje in de kinderstoelmodus wordt gebruikt. 39
- Het kind vastzetten
- ! Maak de gesp van de gordels los door op de rode knop te drukken. 40
 - ! Verwijder het baby-inzetstuk bij de kinderstoelmodus.
 - ! Stop de kruisriem, schouderriem met afdekkingen weg in de compartimenten. 42 44
 - ! Stel de hoofdsteun af zodat de onderkant van de hoofdsteun gelijk staat met de schouders van het kind.
 - ! Gesp de veiligheidsgordel vast.
 - ! De schouderriem moet door de schouderriemgeleider gaan. 46 -2
 - ! De kleur van de indicatoren op beide ISOFIX-bevestigingsconnectoren moet volledig groen zijn.
 - ! De installatie met ISOFIX-aansluitingen in kinderstoelmodus is optioneel. Als ISOFIX-aansluitingen worden gebruikt, moet u ervoor zorgen dat de indicatiekleuren op beide aansluitingen volledig groen zijn bij bevestiging aan de verankeringspunten. 46 -1
 - ! De steunvoet moet goed zijn geplaatst en de indicator moet groen zijn. 46 -3
 - ! Het verbeterde kinderzitje kan

niet worden gebruikt als de gesp van de veiligheidsriem (vrouwelijke gespkant) te lang is om het verbeterde kinderzitje veilig vast te zetten. 46 -4

Zachte voorwerpen losmaken

Zie afbeeldingen 47 - 52

Druk op de rode knop om de riem te ontgrendelen. 47

Volg stappen 48 - 52 voor het losmaken van zachte voorwerpen.

Om het zachte materiaal opnieuw te bevestigen, herhaalt u de bovenstaande stappen in omgekeerde volgorde.

Verzorging en onderhoud

Was de zachte voorwerpen en binnenvoering met koud water onder 30°C.

De zachte voorwerpen niet strijken.

De zachte voorwerpen niet bleken of laten stomen.

Gebruik geen onverdund neutraal schoonmaakmiddel, benzine of andere organische materialen om de kinderstoel te wassen. Dat kan het kinderzitje beschadigen.

De stoelbedekking en binnenvoering

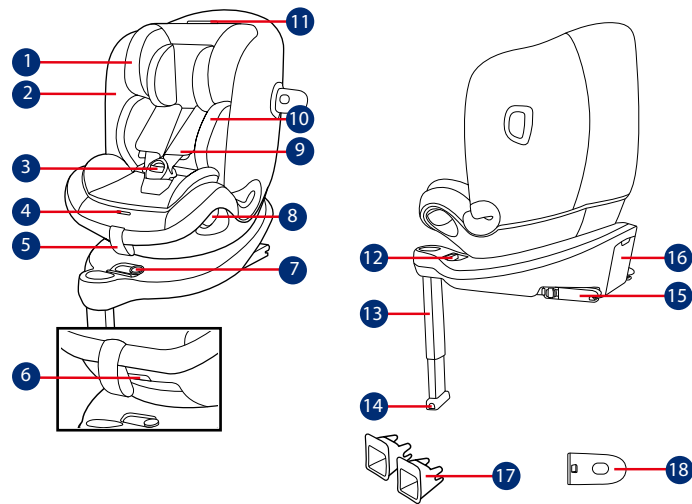
niet uitwringen om ze te drogen. Daardoor kunnen de stoelbedekking en binnenvoering kreukelen.

Hang de stoelbedekking en binnenvoering in de schaduw op.

Haal het kinderstoeltje uit de autostoel als het voor langere tijd niet wordt gebruikt. Berg het kinderzitje op een koele en droge plaats op, waar uw kind er niet bij kan.

Knoei niet met de gordelaansluitingen tijdens reiniging.

gracobaby.eu
www.gracobaby.pl



- 1 Poggiatesta
- 2 Imbottitura del sedile
- 3 Fibbia
- 4 Pulsante di regolazione della cintura
- 5 Regolatore
- 6 Pulsante di regolazione dell'inclinazione
- 7 Blocco orientabile
- 8 Pulsante di rotazione
- 9 Coperture cinture di sicurezza per le spalle
- 10 Cuscino per neonati

- 11 Leva di regolazione poggiatesta
 - 12 Pulsante di regolazione ISOFIX
 - 13 Supporto
 - 14 Pulsante di regolazione supporto
 - 15 Attacco ISOFIX
 - 16 Scomparto del manuale di istruzioni
 - 17 Guide agganci ISOFIX
 - 18 Protezione dagli impatti laterali
- *Deve essere solo sul lato portiera

IT **IMPORTANTE**

LEGGERE ATTENTAMENTE QUESTE ISTRUZIONI E CONSERVARLE PER USO FUTURO. LA MANCATA OSSERVANZA DI QUESTE ISTRUZIONI PUÒ METTERE A REPENTAGLIO LA SICUREZZA DEI BAMBINI.

**AVVERTENZA:
IMPORTANTE, CONSERVARE PER RIFERIMENTO FUTURO: LEGGERE ATTENTAMENTE.**

Gli oggetti rigidi e le parti in plastica del dispositivo avanzato di ritenuta per bambini devono essere posizionati e installati in modo che non rischino di rimanere incastrati in un sedile spostabile o nella portiera del veicolo.

NON usare dispositivi avanzati di ritenuta per bambini in modalità contraria al senso di marcia nei sedili in cui è installato un airbag anteriore attivo.

Per utilizzare il dispositivo avanzato di ritenuta per bambini in conformità alla normativa UN N. 129/03, il bambino deve soddisfare i seguenti requisiti.

Modalità contraria al senso di marcia: Altezza del bambino 40 cm-105 cm/ max. 19 kg:

Modalità in senso di marcia: Altezza del bambino 76 cm-105 cm/max. 19 kg:

Modalità rialzo: Altezza del bambino 100 cm-125 cm/max. 25 kg:

IMPORTANTE: NON UTILIZZARLO NEL SENSO DI MARCIA PRIMA CHE IL BAMBINO SUPERI I 15 MESI DI ETÀ (fare riferimento alle istruzioni).

Il dispositivo avanzato di ritenuta per bambini potrebbe non essere adatto a tutti i veicoli approvati a causa dei vani portaoggetti o dello spazio limitato sul tetto del veicolo. In caso di dubbi, contattare il proprio rivenditore o contattarci direttamente.

Le cinghie che fissano il dispositivo avanzato di ritenuta per bambini al veicolo devono essere strette, la gamba di supporto deve essere a contatto con il pianale del veicolo, le cinghie che trattengono il bambino devono essere adattate al suo corpo e le cinghie non devono essere attorcigliate.

Dopo aver messo il bambino nel dispositivo di ritenuta per bambini, utilizzare correttamente la cintura di sicurezza. È estremamente importante che la cinghia addominale sia indossata in basso in modo da sostenere il bacino.

Il dispositivo avanzato di ritenuta per bambini deve essere sostituito se è stato sottoposto a violenti sollecitazioni in caso di incidente. Un incidente può causare danni impossibili da notare.

Considerare il pericolo di apportare modifiche o aggiunte al dispositivo senza approvazione dell'autorità competente, e il pericolo di non seguire attentamente le istruzioni di installazione fornite dal produttore del dispositivo avanzato di ritenuta per bambini.

Tenere il dispositivo avanzato di ritenuta per bambini lontano dalla luce del sole per evitare di causare ustioni alla pelle del bambino. Toccare sempre il dispositivo avanzato di ritenuta per bambini prima di far sedere il bambino.

NON lasciare mai il bambino incustodito nel dispositivo avanzato di ritenuta per bambini.

I bagagli o altri oggetti che potrebbero causare lesioni in caso di collisione devono essere fissati adeguatamente.

Il dispositivo avanzato di ritenuta per bambini **NON DEVE ESSERE UTILIZZATO** senza il rivestimento imbottito.

Il rivestimento imbottito deve essere sostituito con altri consigliati dal produttore, in quanto costituiscono parte integrante delle prestazioni del dispositivo di ritenuta.

Prima di acquistare questo dispositivo avanzato di ritenuta per bambini, assicurarsi che possa essere installato correttamente nel veicolo.

NESSUN dispositivo avanzato di ritenuta per bambini è in grado di garantire una protezione completa da lesioni in caso di incidenti. Tuttavia, l'uso corretto del dispositivo avanzato di ritenuta per bambini riduce il rischio di lesioni gravi o mortali per il bambino.

NON installare il dispositivo avanzato di ritenuta per bambini senza osservare le istruzioni del presente manuale. Si potrebbero causare lesioni o decesso.

NON utilizzare questo dispositivo avanzato di ritenuta per bambini se presenta danni o parti mancanti.

NON vestire il bambino con indumenti troppo grandi, in quanto si potrebbe impedire al bambino di essere, correttamente e saldamente allacciato con le cinture per le spalle e la cintura spartigambe.

Le istruzioni devono essere conservate sul dispositivo avanzato di ritenuta per bambini per tutta la durata.

Inoltre, prestare attenzione alle istruzioni e alle avvertenze nel manuale del produttore del veicolo.

Informazioni sul prodotto

Installazione con sistema ISOFIX

1. È un dispositivo avanzato di ritenuta per bambini i-Size.

È omologato alla Normativa UN N. 129, per l'uso a bordo dei veicoli compatibili i-Size nelle posizioni di seduta indicate dal produttore nel manuale dell'utente del veicolo.

- In caso di dubbi, consultare il produttore o il rivenditore del dispositivo avanzato di ritenuta per bambini.

Per l'installazione con cintura a 3 punti

Per l'installazione con cintura a 3 punti + sistema ISOFIX

- È un dispositivo avanzato di ritenuta per bambini con rialzo i-Size. È omologato alla Normativa UN N. 129, per l'uso principale in "posizioni dei sedili i-Size", come indicato dai produttori dei veicoli nel manuale dell'utente del veicolo.
- In caso di dubbi, consultare il produttore o il rivenditore del dispositivo avanzato di ritenuta per bambini.

Materiali Plastica, metallo, tessuti

N. brevetto In attesa di brevetto

Dubbi sull'installazione

Vedere le figure **1** - **4**

Utilizzo della protezione da

impatto laterale

Vedere le figure **5** - **6**

! Il dispositivo avanzato di ritenuta per bambini è fornito con protezione da impatto laterale rimovibile. Inserire la protezione da impatto laterale sul lato più vicino alla porta. Installazione mostrata in **5**.

- Premere il pulsante di rilascio per rimuovere la protezione da impatto laterale.

Regolazione dell'altezza del poggiatesta e delle bretelle

Vedere le figure **7** - **10**

! Regolare il poggiatesta e controllare se le cinture per le spalle sono all'altezza corretta in base a **7** **8** **9** **10**.

! Se utilizzata in modalità contraria al senso in di marcia, la cintura per le spalle deve essere all'altezza o appena sotto la parte superiore delle spalle del bambino. **7**

! Se utilizzata in modalità in senso di marcia, la cintura per le spalle deve essere all'altezza o appena sopra le spalle la parte superiore delle spalle del bambino. **8**

! Se utilizzate in modalità rialzo, le guide della cintura per le spalle devono essere all'altezza o appena sotto le spalle del bambino. **9**

! Premere la leva di regolazione del poggiatesta, quindi tirare verso l'alto o spingere verso il basso il poggiatesta finché non scatta in una delle 7 posizioni mostrate come **10**.

Regolazione della reclinazione

Vedere le figure **11** - **13**

! Premere il pulsante di regolazione della reclinazione per regolare il dispositivo avanzato di ritenuta per bambini nella posizione desiderata. **11** **12** **13**

! Sono disponibili 6 posizioni di inclinazione che possono essere utilizzate per le modalità contraria al senso di marcia e in senso di marcia. **12** **13**

Installazione della base

Vedere le figure **14** - **20**

! Inserire le guide degli agganci ISOFIX per agevolare l'installazione. **14**

! Premere il pulsante di regolazione ISOFIX per estendere gli agganci ISOFIX. **16** -1 & **16** -2

! Assicurarsi che entrambi gli agganci ISOFIX siano saldamente fissati ai relativi punti di ancoraggio ISOFIX. Il colore degli indicatori su entrambi gli agganci ISOFIX deve essere completamente verde. **17** -1

! Premere il pulsante di regolazione ISOFIX mentre si spinge il seggiolino indietro finché non viene a contatto con lo schienale del sedile del veicolo.

! Dopo aver fissato gli agganci ISOFIX, tirare il supporto verso il basso per aprirlo sul pianale. Se l'indicatore del supporto è verde significa che è installato correttamente. **17** -2

! Premere il pulsante di rilascio del supporto, quindi regolare la lunghezza del supporto. **17** -3

! Assicurarsi sempre che la gamba di supporto sia a diretto contatto con il pianale e sia in posizione bloccata anche quando il bambino non è al suo interno.

Rimozione della base

! Per rimuoverla dal veicolo, premere il pulsante di regolazione ISOFIX e tirare di

nuovo la base dal sedile. Quindi, premere e rilasciare i connettori dagli agganci ISOFIX del veicolo.

19

- ! Per evitare danni durante il trasporto, premere il pulsante di regolazione ISOFIX **20** -1 e chiudere completamente l'attacco. **20** -2

Uso della modalità contraria al senso di marcia

(Altezza del bambino

40 cm-105 cm/Peso

del bambino ≤ 19 kg/

Neonato - circa 4 anni)

Vedere le figure **21** - **30**

- ! Montare prima il dispositivo avanzato di ritenuta per bambini sul sedile posteriore della vettura e riporre poi il bambino nel dispositivo avanzato di ritenuta per bambini.
- ! Far scorrere il blocco Smart a sinistra quando il sistema di ritenuta per bambini migliorato viene utilizzato in modalità contraria al senso di marcia. **21**
- ! Premere il pulsante di regolazione ISOFIX e tirare di nuovo la base dal sedile del

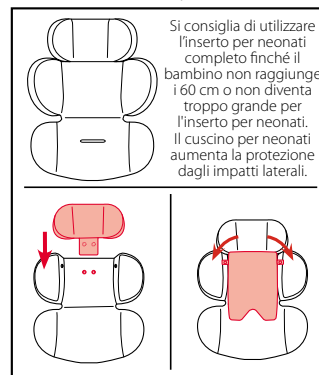
veicolo. **22**

- ! Premere il pulsante di rotazione per ruotare al fine di sistemare/togliere lateralmente il bambino in modo più semplice, quindi ruotare il sedile alla posizione contraria al senso di marcia. **23**
- 24**
- ! Premere il pulsante di rotazione su uno dei lati per ruotare il sistema di ritenuta per bambini migliorato.

Messa in sicurezza del bambino

- ! Per allungare le cinture di sicurezza per le spalle, premere il pulsante di regolazione dell'imbracatura mentre si estraggono le cinture per le spalle per allentarle. **25**
- ! Sganciare la fibbia premendo il pulsante rosso.
- ! Fissare le fibbie su entrambi i lati del sedile nel punto i cui si trovano i contrassegni **27**, per agevolare il posizionamento del bambino in modalità contraria al senso di marcia.

Utilizzo del cuscino per neonati



- ! Mettere il bambino nel dispositivo avanzato di ritenuta per bambini e infilare le braccia nelle cinture.
- ! Agganciare la fibbia. Fare riferimento a **28**
- ! Tirare verso il basso il regolatore e regolarlo alla lunghezza adeguata per assicurarsi che sia perfettamente fissato. **29**
- ! Mantenere sempre il bambino protetto con la cintura e stretto correttamente rimuovendo eventuali allentamenti.
- ! Assicurarsi che lo spazio tra il bambino e le bretelle sia di circa lo spessore di una mano.
- ! Assicurarsi sempre che il seggiolino sia in posizione bloccata (posizione contraria

al senso di marcia / in senso di marcia) anche quando il bambino non è al suo interno.

Uso della modalità in senso di marcia

(Altezza del bambino

76 cm- 105 cm/Peso del

bambino ≤ 19 kg/15

mesi - circa 4 anni)

Vedere le figure **31** - **38**

- ! Montare prima il dispositivo avanzato di ritenuta per bambini sul sedile posteriore della vettura e riporre poi il bambino nel dispositivo avanzato di ritenuta per bambini.
- ! Far scorrere il blocco Smart a destra quando il sistema di ritenuta per bambini migliorato viene utilizzato in modalità in senso di marcia. **31**
- ! Premere il pulsante di rotazione per ruotare al fine di sistemare/togliere lateralmente il bambino in modo più semplice, quindi ruotare il sedile fino alla posizione in senso di marcia. **32**
- 33**
- ! Premere il pulsante di rotazione su uno dei lati per ruotare il dispositivo avanzato di ritenuta per bambini.

Messa in sicurezza del bambino

- ! Per allungare le cinture di sicurezza per le spalle, premere il pulsante di regolazione dell'imbracatura mentre si estrarrebbero le cinture per le spalle per allentarle. **34**
- ! Sganciare la fibbia delle cinture premendo il pulsante rosso. **35**
- ! Rimuovere il cuscino per neonati in modalità in senso di marcia. **36**
- ! Posizionare le linguette della fibbia sul lato esterno del dispositivo avanzato di ritenuta per bambini in modo che le linguette siano tenute in posizione.
- ! Mettere il bambino nel dispositivo avanzato di ritenuta per bambini e infilare le braccia nelle cinture.
- ! Agganciare la fibbia.
- ! Tirare verso il basso il regolatore e regolarlo alla lunghezza adeguata per assicurarsi che sia perfettamente fissato. **37**
- ! Assicurarsi sempre che il seggiolino sia in posizione bloccata (posizione contraria al senso di marcia / in senso di marcia) anche quando il bambino non è al suo interno.
- ! Gli attacchi ISOFIX devono

essere fissati e bloccati sui punti di ancoraggio ISOFIX. **38** -1

- ! La gamba di supporto deve essere installata correttamente con l'indicatore verde. **38** -2
- ! Mantenere sempre il bambino protetto con la cintura e stretto correttamente rimuovendo eventuali allentamenti.
- ! NON utilizzare la modalità in senso di marcia finché il bambino non abbia 76 cm di altezza E 15 mesi di età.

Uso della modalità rialzo (Altezza del bambino 100 cm-125 cm/Peso del bambino ≤ 25 kg)

Vedere le figure **39** - **46**

- ! Montare prima il dispositivo avanzato di ritenuta per bambini sul sedile posteriore della vettura e riporre poi il bambino nel dispositivo avanzato di ritenuta per bambini.
- ! Far scorrere il blocco Smart a destra quando il sistema di ritenuta per bambini migliorato viene utilizzato in modalità rialzo. **39**

Messa in sicurezza del bambino

- ! Sganciare la fibbia delle cinture

premando il pulsante rosso. **40**

- ! Rimuovere l'inserito per neonati in modalità rialzo.
- ! Riporre la cintura spartigambe, la tracolla con coperture nei vani. **42** **44**
- ! Regolare il poggiatesta in modo che la parte inferiore del poggiatesta sia all'altezza delle spalle del bambino.
- ! Allacciare la cintura del veicolo.
- ! La cintura per le spalle deve passare attraverso la relativa guida. **46** -2
- ! Il colore degli indicatori su entrambi i connettori degli agganci ISOFIX deve essere completamente verde.
- ! L'installazione con agganci ISOFIX in modalità rialzo è opzionale. Se si utilizzano agganci ISOFIX, assicurarsi che i colori dell'indicatore su entrambi gli attacchi siano completamente verdi quando si fissano ai punti di ancoraggio. **46** -1
- ! La gamba di supporto deve essere installata correttamente con l'indicatore verde. **46** -3
- ! Non è possibile utilizzare il dispositivo avanzato di ritenuta per bambini se la fibbia della cintura di sicurezza (estremità

femmina della fibbia) è troppo lunga per ancorare in modo sicuro il dispositivo avanzato di ritenuta per bambini. **46** -4

Rimozione del rivestimento imbottito

Vedere le figure **47** - **52**

Premere il pulsante rosso per sganciare la fibbia. **47**

Seguire i passi **48** - **52** per rimuovere il rivestimento imbottito.

Per inserire di nuovo il rivestimento imbottito, ripetere le procedure di cui sopra in ordine inverso.

Cura e manutenzione

Lavare la fodera e l'imbottitura interna con acqua fredda sotto i 30°C.

Non stirare il rivestimento imbottito.

Non candeggiare e non lavare a secco il rivestimento imbottito.

Non usare un detergente non diluito, benzina o altri solventi organici per lavare il dispositivo di ritenuta per bambini. Potrebbero danneggiare il dispositivo di ritenuta per bambini.

Non attorcigliare la fodera e l'imbottitura interna per asciugare. Si potrebbero lasciare grinze sulla

fodera e l'imbottitura interna.

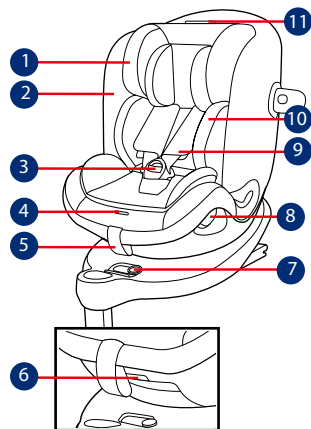
Appendere la fodera e l'imbottitura interna all'ombra per asciugare.

Rimuovere il dispositivo di ritenuta per bambini dal sedile del veicolo se non viene usato per un lungo periodo di tempo. Conservare il dispositivo di ritenuta per bambini in un luogo fresco, asciutto e a cui il bambino non può accedere.

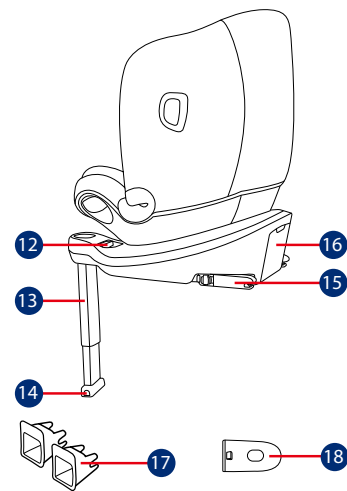
Non manomettere gli attacchi della cintura durante la pulizia.

gracobaby.eu

www.gracobaby.pl



- ① Soporte para la cabeza
- ② Acolchado de la sillita
- ③ Hebilla
- ④ Botón de ajuste del arnés
- ⑤ Cincha de ajuste
- ⑥ Botón de ajuste de la reclinación
- ⑦ Bloqueo giratorio
- ⑧ Botón de giro
- ⑨ Protectores del arnés de los hombros
- ⑩ Accesorio para niños pequeños



- ⑪ Palanca de ajuste del reposacabezas
 - ⑫ Botón ajustador ISOFIX
 - ⑬ Pata de carga
 - ⑭ Botón de ajuste de la pata de carga
 - ⑮ Conector ISOFIX
 - ⑯ Bolsillo de almacenamiento del manual de instrucciones
 - ⑰ Guías de acoplamiento ISOFIX
- Protección contra impactos laterales
- *debe usarse solo en el lado de la puerta

ES IMPORTANTE

LEA DETENIDAMENTE ESTAS INSTRUCCIONES ANTES DE UTILIZAR EL PRODUCTO Y GUÁRDELAS PARA FUTURAS CONSULTAS. LA SEGURIDAD DE SU HIJO PUEDE VERSE AFECTADA SI NO SIGUE ESTAS INSTRUCCIONES.

**▲ADVERTENCIA:
IMPORTANTE, GUARDE
ESTE MANUAL PARA
FUTURAS CONSULTAS: LEA
DETENIDAMENTE ESTAS
INSTRUCCIONES.**

Debe saber que los elementos rígidos y las piezas de plástico de un dispositivo de sujeción para niños se coloquen e instalen de manera que no puedan quedar atrapados por un asiento móvil o en una puerta del vehículo.

NO use los dispositivos de sujeción para niños mejorados con orientación hacia atrás en asientos donde haya un airbag frontal activo instalado.

Para utilizar este dispositivo de sujeción para niños mejorado de acuerdo con la norma n.º 129/03 de la ONU, el niño deberá cumplir los siguientes requisitos:

Modo orientado hacia atrás: Altura del niño: 40 cm-105 cm/19 kg máximo;

Modo orientado hacia adelante: Altura del niño: 76cm-105 cm/19 kg máximo;

Modo de elevador: Altura del niño: 100cm-125cm/25kg máximo;

IMPORTANTE - NO UTILIZAR ORIENTADO HACIA DELANTE ANTES DE LOS 15 MESES (consulte las instrucciones).

Es posible que el sistema de sujeción para niños mejorado no quepa en todos los vehículos aprobados debido a los compartimentos de almacenamiento o al espacio limitado en el techo del vehículo. En caso de duda, póngase en contacto con su distribuidor o con nosotros.

Las correas que fijan el dispositivo de sujeción para niños mejorado al vehículo deben estar apretadas, las patas de soporte deben estar en contacto con el suelo del vehículo y las correas que sujetan al niño deben ajustarse al cuerpo del niño y no retorcerse.

Una vez colocado el niño en el dispositivo de sujeción para niños mejorado, el cinturón de seguridad se deberá utilizar correctamente. Asegúrese de que ninguna correa de seguridad quede demasiado baja, de forma que la pelvis quede firmemente sujeta.

Este dispositivo de sujeción para niños mejorado se debe reemplazar

si ha estado sometido a tensiones violentas en un accidente. Un accidente puede causar daños no visibles en dichos elementos.

Considere el peligro de realizar alteraciones o modificaciones al dispositivo sin la aprobación de la autoridad adecuada y el peligro de no seguir estrictamente las instrucciones de instalación facilitadas por el fabricante del dispositivo de sujeción para niños mejorado.

Mantenga el dispositivo de sujeción para niños mejorado alejado de la luz directa del sol ya que, si no lo hace, podría alcanzar temperaturas demasiado altas para la piel de su hijo. Toque siempre el dispositivo de sujeción para niños mejorado antes de colocar al niño en él.

NO deje a su hijo sin supervisión en este sistema de sujeción para niños mejorado.

Sujete correctamente el equipaje y cualquier otro objeto susceptible de provocar lesiones en caso de colisión.

NO UTILICE el sistema de sujeción para niños mejorado sin el acolchado.

El acolchado no deberá sustituirse por uno que no esté recomendado por el fabricante, ya que el acolchado constituye una parte esencial del funcionamiento del dispositivo de sujeción.

Compruebe si el sistema de sujeción para niños se puede instalar correctamente en el vehículo antes de comprarlo.

NINGÚN dispositivo de sujeción para niños mejorado puede garantizar una protección total contra lesiones en caso de accidente. Sin embargo, un uso adecuado de este dispositivo de sujeción para niños mejorado reducirá el riesgo de lesiones graves o, incluso, de muerte del niño.

NO instale este dispositivo de sujeción para niños mejorado sin seguir las instrucciones que se indican en este manual ya que, si las incumple, podría poner a su hijo en peligro de sufrir lesiones o, incluso, de muerte.

NO utilice este dispositivo de sujeción para niños mejorado si está dañado o si falta alguna de sus piezas.

NO coloque a su hijo con ropa suelta o de una talla mayor, ya que podría provocar que la sujeción del niño, mediante las correas de los arneses de los hombros y la correa de la pelvis entre las piernas, no sea firme y segura.

Las instrucciones deben conservarse en el sistema de sujeción para niños mejorado durante su período de vida útil.

También preste atención a las

instrucciones y advertencias del manual del fabricante del vehículo.

Información del producto

Para la instalación con el sistema ISOFIX

1. Este es un sistema de sujeción para niños mejorado i-Size. Está aprobado conforme a la Norma n.º 129 de la ONU, para el uso en vehículos compatibles con posiciones de sentado i-Size, tal y como indican los fabricantes de vehículos en los manuales de usuario del vehículo.

2. En caso de duda, consulte al fabricante o al distribuidor del dispositivo de sujeción para niños mejorado.

Para la instalación con un cinturón de 3 puntos de sujeción

Para la instalación con un cinturón de 3 puntos de sujeción + Sistema ISOFIX

1. Este es un sistema de sujeción para niños mejorado con asiento elevador i-Size. Está aprobado conforme a la Norma UN N.º 129, para el uso principal en "posiciones de asiento i-Size" como indican los fabricantes de vehículos en el manual del usuario del vehículo.

2. En caso de duda, consulte al fabricante o al distribuidor del

dispositivo de sujeción para niños mejorado.

Materiales Plásticos, metal, telas
N.º de patente Pendiente de patentes

Consideraciones acerca de la instalación

Consulte las imágenes 1 - 4

Usar la protección contra impactos laterales

Consulte las imágenes 5 - 6

! El dispositivo de sujeción para niños mejorado se entrega con una protección contra impactos laterales extraíble. Inserte la funda contra impactos laterales en el lado más cercano a la puerta. Instalación mostrada en 5.

6 Presione el botón de liberación para quitar la protección contra impactos laterales.

Ajuste de la altura de los arneses de los hombros y del reposacabezas

Consulte las imágenes 7 - 10

! Ajuste el reposacabezas y compruebe si la altura de los arneses de los hombros es la correcta, tal y como se indica en la figura 7 8 9 10.

! Cuando se utilice en el modo orientado hacia atrás, los arneses de los hombros deberán estar a la altura de los hombros del niño o por debajo. 7

! Cuando se utilice en el modo orientado hacia adelante, los arneses de los hombros deberán estar a la altura de los hombros del niño o por encima. 8

! Cuando se utilice en modo de asiento elevador, las guías de los cinturones de los hombros deben estar a la altura de los hombros del niño. 9

! Presione la palanca de ajuste del reposacabezas y tire hacia arriba o hacia abajo del reposacabezas hasta que quede fijado en una de las 7 posiciones, como se muestra en 10.

Ajuste de la reclinación

Consulte las imágenes 11 - 13

! Presione el botón de ajuste de la reclinación para ajustar el dispositivo de sujeción para niños mejorado en la posición deseada. 11 12 13

! Hay 6 posiciones de reclinación que se pueden usar para el modo de orientación hacia atrás y el modo de orientación hacia adelante. 12 13

Instalación de la base

Consulte las imágenes 14 - 20

! Inserte guías ISOFIX para facilitar la instalación. 14

! Pulse el botón ajustador ISOFIX para extender los conectores ISOFIX. 16 -1 y 16 -2

! Asegúrese de que ambos conectores ISOFIX queden firmemente sujetos a sus puntos de anclaje ISOFIX. Los colores de los indicadores de ambos conectores ISOFIX deberán aparecer completamente en verde. 17 -1

! Presione nuevamente los botones de ajuste ISOFIX mientras empuja el respaldo

de la silla hasta que entre en contacto con el respaldo del asiento del vehículo.

- ! Después de acoplar el sistema ISOFIX, tire de la pata de carga hacia abajo hasta el suelo. Cuando el indicador de la pata de carga se muestre en verde, significará que dicha pata se ha instalado correctamente. **17** -2
- ! Apriete el botón de desbloqueo de la pata de carga y, a continuación, ajuste la longitud de dicha pata. **17** -3
- ! Asegúrese siempre de que la pata de apoyo tenga contacto directo con el suelo y se encuentre en la posición bloqueada incluso cuando el niño no esté en ella.

Quitar la base

- ! Para retirar el producto del vehículo, presione el botón de ajuste ISOFIX y tire de la base hacia atrás desde la silla. A continuación, presione y suelte los conectores del sistema ISOFIX del vehículo. **19**
- ! Para evitar daños durante el tránsito, presione el botón de ajuste ISOFIX **20** -1 y doble el conector completamente. **20** -2

Usar el modo orientado hacia atrás

(Altura del niño: 40-105 cm/Peso del niño ≤ 19 kg/bebé - 4 años aprox.)

Consulte las imágenes **21** - **30**

- ! Instale el dispositivo de sujeción para niños mejorado en el asiento trasero del vehículo y, a continuación, coloque al niño en dicho dispositivo.
- ! Deslice el bloqueo Smart hacia la izquierda cuando se use el sistema de sujeción para niños mejorado en el modo orientado hacia atrás. **21**
- ! Pulse el botón de ajuste ISOFIX y tire de la base hacia atrás desde el asiento del vehículo. **22**
- ! Pulse el botón de giro para girar y facilitar la carga y descarga lateral del niño y, a continuación, gire el asiento hacia la posición orientada hacia atrás. **23** **24**
- ! Presione el botón de giro de cada lado para girar el dispositivo de sujeción para niños mejorado.

Asegurar al niño

- ! Para alargar los cinturones del arnés para hombros, presione el botón de ajuste del arnés

mientras saca los arneses para hombros para aflojarlos. **25**

- ! Desabroche el arnés pulsando el botón rojo.
- ! Fije las hebillas en ambos lados del asiento marcados como **27** para que la colocación del niño con orientación hacia atrás sea más cómoda.

Uso del accesorio para niños pequeños



- ! Coloque al niño en el dispositivo de sujeción para niños mejorado y pase ambos brazos por los arneses.
- ! Enganche la hebilla. Consulte la **28**
- ! Empuje hacia abajo la cincha de ajuste y ajústela de forma que la longitud sea la adecuada para garantizar que su hijo quede

sujeto correctamente. **29**

- ! Mantenga siempre al niño asegurado en el arnés y bien sujeto sin que haya holguras.
- ! Asegúrese de que el espacio entre el niño y las correas de los arneses de los hombros sea el del grosor de una mano más o menos.
- ! Asegúrese siempre de que el asiento esté en la posición de bloqueo (orientación hacia atrás u orientación hacia adelante), incluso cuando el niño no esté en él.

Usar el modo con orientación hacia adelante

(Altura del niño 76-105 cm/Peso del niño ≤ 19 kg/15 meses - 4 años aproximadamente)

Consulte las imágenes **31** - **38**

- ! Instale el dispositivo de sujeción para niños mejorado en el asiento trasero del vehículo y, a continuación, coloque al niño en dicho dispositivo.
- ! Deslice el bloqueo Smart hacia la derecha cuando se use el sistema de sujeción para niños

mejorado en el modo orientado hacia adelante. **31**

! Pulse el botón de giro para girar y facilitar la carga y descarga lateral del niño y, a continuación, gire el asiento hacia la posición orientada hacia adelante.

32 33

! Presione el botón de giro de cada lado para girar el dispositivo de sujeción para niños mejorado.

Asegurar al niño

! Para alargar los cinturones del arnés para hombros, presione el botón de ajuste del arnés mientras saca los arneses para hombros para aflojarlos. **34**

! Desbloquee la hebilla de los arneses presionando el botón rojo. **35**

! Retire el accesorio para niños pequeños cuando el producto se utilice orientado hacia adelante. **36**

! Coloque las lengüetas de la hebilla del lado exterior del sistema de sujeción para niños mejorado para que dichas lengüetas se mantengan en su lugar.

! Coloque al niño en el dispositivo de sujeción para niños mejorado y pase ambos brazos por los arneses.

! Enganche la hebilla.

! Empuje hacia abajo la cincha de ajuste y ajústela de forma que la longitud sea la adecuada para garantizar que su hijo quede sujeto correctamente. **37**

! Asegúrese siempre de que el asiento esté en la posición de bloqueo (orientación hacia atrás u orientación hacia adelante), incluso cuando el niño no esté en él.

! Los conectores ISOFIX se deben fijar y bloquear en los puntos de anclaje ISOFIX. **38** -1

! La pata de carga debe estar correctamente instalada con el indicador en verde. **38** -2

! Mantenga siempre al niño asegurado en el arnés y bien sujeto sin que haya holguras.

! NO use el modo de orientación hacia adelante hasta que la altura del niño sea al menos 76 cm Y 15 meses de edad.

Usar el producto en el modo de asiento elevador

(Altura del niño:

100 cm-125 cm/Peso

del niño ≤ 25 kg)

Consulte las imágenes **39** - **46**

! Instale el dispositivo de sujeción para niños mejorado en el asiento trasero del vehículo y, a continuación, coloque al niño en dicho dispositivo.

! Deslice el bloqueo Smart hacia la derecha cuando se use el sistema de sujeción para niños mejorado en el modo de asiento elevador. **39**

Asegurar al niño

! Desbloquee la hebilla de los arneses presionando el botón rojo. **40**

! Retire el accesorio para niños pequeños cuando el producto se utilice en el modo de asiento elevador.

! Meta la correa de la entrepierna, la correa de los hombros con protectores en los compartimentos. **42 44**

! Ajuste el reposacabezas de modo que la parte inferior del reposacabezas esté nivelada con los hombros del niño.

! Abróchelo con el cinturón de seguridad del vehículo.

! El cinturón del hombro debe pasar por la guía del cinturón del hombro. **46** -2

! Los colores de los indicadores de ambos conectores de acoplamiento ISOFIX deberán aparecer completamente en

verde.

! La instalación con conectores ISOFIX en modo elevador es opcional. Si se utilizan conectores ISOFIX, asegúrese de que los colores de los indicadores de ambos conectores estén completamente verdes cuando se acoplen a los puntos de anclaje. **46** -1

! La pata de carga debe estar correctamente instalada con el indicador en verde. **46** -3

! El dispositivo de sujeción para niños mejorado no puede utilizarse si la hebilla del cinturón de seguridad del vehículo (extremo hembra de la hebilla) es demasiado larga para sujetar con seguridad dicho dispositivo. **46** -4

Desmontaje de los materiales mullidos

Consulte las imágenes **47** - **52**

Presione el botón rojo para soltar la hebilla. **47**

Siga los pasos **48** - **52** para desmontar los materiales mullidos.

Para volver a montar el acolchado, repita los pasos anteriores en orden inverso.

Cuidados y mantenimiento

Lave la cubierta del asiento y el acolchado interno con agua fría a menos de 30 °C.

No planche el acolchado.

No limpie en seco ni utilice lejía para lavar el acolchado.

No utilice detergentes sin diluir, gasolina u otros disolventes orgánicos para limpiar el dispositivo de sujeción para niños. Si lo hace, puede dañar el dispositivo de sujeción para niños.

No retuerza la cubierta del asiento ni el acolchado interno para secarlos. Podrían quedar arrugas en la cubierta del asiento y en el acolchado interno.

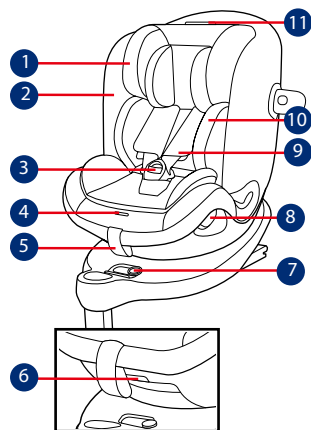
Deje secar la cubierta del asiento y el acolchado interno en un lugar protegido de la luz directa del sol.

Retire este dispositivo de sujeción para niños del asiento del vehículo cuando no vaya a utilizarlo durante un periodo prolongado de tiempo. Deje el dispositivo de sujeción para niños en un lugar fresco y seco donde el niño no pueda acceder.

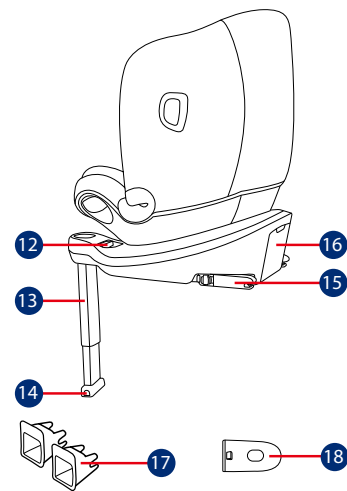
No toque los conectores del arnés durante la limpieza.

gracobaby.eu

www.gracobaby.pl



- 1 Apoio de cabeça
- 2 Capa de tecido acolchoado
- 3 Fivela
- 4 Botão de ajuste das correias
- 5 Cinta de ajuste
- 6 Botão de ajuste da reclinção
- 7 Bloqueio de rotação
- 8 Botão rotativo
- 9 Capas das alças
- 10 Redutor para bebé



- 11 Alavanca de ajuste de apoio de cabeça
 - 12 Botão de ajuste ISOFIX
 - 13 Perna de carga
 - 14 Botão de ajuste da perna de carga
 - 15 Conector ISOFIX
 - 16 Armazenamento do manual de instruções
 - 17 Guias de encaixe ISOFIX
 - 18 Proteção contra impactos laterais
- *deve ser utilizado apenas no lado da porta

PT **IMPORTANTE**

LEIA ATENTAMENTE ESTAS INSTRUÇÕES ANTES DE UTILIZAR O PRODUTO E GUARDE-AS PARA REFERÊNCIA FUTURA. A SEGURANÇA DA CRIANÇA PODE SER AFETADA SE NÃO SEGUIR ESTAS INSTRUÇÕES.

AVISO:
IMPORTANTE, GUARDAR PARA REFERÊNCIA FUTURA: LER ATENTAMENTE.

As peças rígidas e plásticas do dispositivo de retenção para crianças devem estar localizadas e instaladas de forma a que não fiquem presas num assento móvel ou numa porta do veículo.

NÃO utilize dispositivos de retenção para crianças virados para a retaguarda em lugares sentados onde esteja instalado um airbag frontal ativo.

Para utilizar este dispositivo avançado de retenção para crianças de acordo com a Regulamentação UN N.º 129/03, a criança deve cumprir os seguintes requisitos.

Modo virado para a retaguarda:
Altura da criança 40 cm - 105 cm/
máx. 19 kg

Modo virado para a frente: Altura da criança 76 cm - 105 cm/máx. 19 kg

Modo de assento de elevação: Altura

da criança 100 cm - 125 cm/máx.
25 kg

IMPORTANTE - NÃO UTILIZE O DISPOSITIVO VIRADO PARA A FRENTE SE A CRIANÇA TIVER UMA IDADE INFERIOR A 15 MESES (Consulte as instruções).

O dispositivo avançado de retenção para crianças poderá não ser ajustado a todos os veículos aprovados devido aos compartimentos de armazenamento ou ao espaço limitado no tejadilho do veículo. Em caso de dúvida, contacte o seu revendedor ou entre em contacto connosco.

Todas as correias que seguram o dispositivo avançado de retenção para crianças ao veículo devem estar apertadas, a perna de apoio deve estar em contacto com o piso do veículo, qualquer correia que retenha a criança deve estar ajustada ao corpo da criança e as alças não devem estar torcidas.

Após a colocação da criança no dispositivo avançado de retenção, o cinto de segurança deve ser utilizado corretamente. Certifique-se de que a correia subabdominal está o mais baixo possível para que a cintura esteja bem segura.

Este dispositivo avançado de retenção para crianças deve ser substituído caso tenha sido sujeito a esforços violentos num acidente.

Um acidente pode causar danos não visíveis.

Não devem ser efetuadas alterações ou adições ao dispositivo sem a aprovação de uma autoridade competente e devem ser seguidas as instruções de instalação fornecidas pelo fabricante do dispositivo avançado de retenção para crianças.

Mantenha este dispositivo avançado de retenção para crianças afastado de luz solar direta, caso contrário, este poderá atingir temperaturas demasiado elevadas para a pele da criança. Toque sempre no dispositivo avançado de retenção para crianças antes de colocar a criança.

NÃO deixe a criança sem supervisão no sistema avançado de retenção para crianças.

Todas as bagagens ou outros objetos que possam causar ferimentos em caso de colisão, devem estar corretamente fixos.

O sistema avançado de retenção para crianças NÃO DEVE SER UTILIZADO sem a capa de tecido acolchoado.

A capa de tecido acolchoado não deve ser substituída por qualquer outra que não seja recomendada pelo fabricante, pois é parte integrante do sistema de retenção.

Verifique se este dispositivo avançado de retenção para crianças pode ser instalado corretamente no

seu veículo antes de o adquirir.

NENHUM sistema avançado de retenção para crianças pode garantir uma proteção total contra ferimentos num acidente. Contudo, a utilização apropriada deste dispositivo avançado de retenção para crianças reduzirá o risco de lesões graves ou morte da criança.

NÃO instale este dispositivo avançado de retenção para crianças sem seguir as instruções deste manual, pois poderá sujeitar a criança a riscos ferimentos ou morte.

NÃO utilize este dispositivo avançado de retenção para crianças se o mesmo estiver danificado ou existirem peças em falta.

NÃO coloque a criança com roupa larga/grande, pois poderá impedir que as alças e a correia das virilhas apertem firmemente a criança.

As instruções devem ser guardadas no dispositivo avançado de retenção para crianças durante toda a sua vida útil.

Tenha também em atenção as instruções e avisos do manual do fabricante do veículo.

Informações sobre o produto

Para instalação com sistema ISOFIX

1. Este é um sistema avançado

i-Size de retenção para crianças. Está aprovado ao abrigo da Regulamentação UN N.º 129 para utilização em veículos com lugares sentados compatíveis com "i-Size", como indicado no manual do utilizador do fabricante do veículo.

2. Em caso de dúvida, consulte o fabricante ou o revendedor do sistema avançado de retenção para crianças.

Para instalação com cinto de segurança de 3 pontos de fixação **Para instalação com cinto de segurança de 3 pontos de fixação + sistema ISOFIX**

1. Esta é uma cadeira auto com sistema avançado de retenção para crianças i-Size. Está aprovado ao abrigo da Regulamentação UN n.º 129 para utilização principalmente em "lugares sentados universais i-Size", conforme indicado pelo fabricante do veículo no manual do utilizador do veículo.
2. Em caso de dúvida, consulte o fabricante ou o revendedor do sistema avançado de retenção para crianças.

Materiais Plástico, metal, tecido

N.º de patente Patente pendente

Cuidados na instalação

Ver imagens **1** - **4**

Utilizar a proteção contra impactos laterais

Ver imagens **5** - **6**

- ! O dispositivo avançado de retenção para crianças é fornecido com um módulo de proteção contra impactos laterais. Encaixe o módulo de proteção contra impactos laterais no lado mais próximo da porta. Instalação apresentada em **5**.
- 6** Pressione o botão de libertação para remover a proteção contra impactos laterais.

Ajuste da altura para o apoio de cabeça e alças

Ver imagens **7** - **10**

- ! Ajuste o apoio de cabeça e verifique se as alças se encontram à altura correta de acordo com a figura **7** **8** **9** **10**.
- ! Quando o dispositivo for utilizado no modo virado para a retaguarda, as alças deverão estar colocadas ao nível ou ligeiramente abaixo dos ombros da criança. **7**
- ! Quando o dispositivo for utilizado no modo virado para a frente, as alças deverão estar colocadas ao nível ou ligeiramente acima dos ombros da criança. **8**
- ! Quando o dispositivo for utilizado em modo de assento elevatório, os guias da correia de ombro deverão estar colocadas ao nível dos ombros da criança. **9**
- ! Pressione a alavanca de ajuste do apoio de cabeça e ajuste o apoio de cabeça para cima ou para baixo até que este encaixe numa das 7 posições, como ilustrado em **10**.

Ajuste da reclinção

Ver imagens **11** - **13**

- ! Pressione o botão de ajuste da reclinção para ajustar o dispositivo avançado de retenção para crianças para a posição desejada. **11** **12** **13**
- ! Podem ser utilizadas 6 posições de reclinção nos modos virado para a retaguarda e virado para a frente. **12** **13**

Instalação da base

Ver imagens **14** - **20**

- ! Insira os guias ISOFIX para ajudar na instalação. **14**
- ! Pressione o botão de ajuste ISOFIX para abrir o conector ISOFIX. **16** -1 e **16** -2
- ! Certifique-se de que ambos os conectores ISOFIX estão corretamente encaixados nos pontos de fixação ISOFIX. A cor dos indicadores de ambos os conectores ISOFIX deverá ser completamente verde. **17** -1
- ! Pressione novamente os botões de ajuste ISOFIX enquanto empurra as costas da cadeira até entrar em contacto com o encosto do banco do veículo.
- ! Depois de encaixar o conector

ISOFIX, estique a perna de carga até ao piso do veículo. Quando o indicador da perna de carga apresentar a cor verde, significa que a perna de carga está corretamente instalada. **17** -2

! Aperte o botão de desbloqueio da perna de carga e, em seguida, ajuste o comprimento da perna de carga. **17** -3

! Certifique-se sempre de que a perna de apoio está em contacto direto com o piso e está na posição bloqueada mesmo que a criança não esteja a utilizar o dispositivo.

Remover a base

! Para remover do veículo pressione o botão de ajuste ISOFIX e afaste a base do assento. Em seguida, pressione e liberte os conectores do sistema ISOFIX do veículo. **19**

! Para evitar danos durante o transporte, pressione o botão de ajuste ISOFIX **20** -1 e dobre totalmente o conector. **20** -2

Utilização no modo virado para a retaguarda
(Altura da criança 40–105 cm/Peso da criança ≤ 19 kg/bebé - aprox. 4 anos)

Ver imagens **21** - **30**

! Instale o dispositivo avançado de retenção para crianças no assento traseiro do veículo e, em seguida, coloque a criança no dispositivo.

! Deslize o bloqueio inteligente para a esquerda quando o dispositivo avançado de retenção para crianças for utilizado no modo virado para a retaguarda. **21**

! Pressione o botão de ajuste ISOFIX e afaste a base do assento do veículo. **22**

! Pressione o botão de rotação para rodar e colocar/retirar a criança lateralmente de forma fácil e, em seguida rode a cadeira para a posição virada para a retaguarda. **23** **24**

! Pressione o botão de rotação num dos lados para rodar o dispositivo avançado de retenção.

Colocar e prender a criança

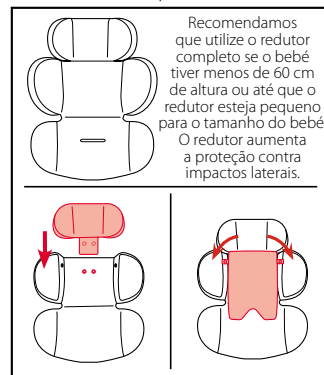
! Para esticar as alças, pressione o botão de ajuste das alças, enquanto puxa as alças para soltar. **25**

! Abra a fivela pressionando o botão vermelho.

! Fixe as fivelas nos lados da cadeira marcados com **27**, para

facilitar a colocação da criança virada para a retaguarda.

Utilizar o redutor para bebé



! Coloque a criança no dispositivo avançado de retenção para crianças e passe ambos os braços pelas correias.

! Encaixe a fivela. Consulte a ilustração **28**

! Puxe a cinta de ajuste para baixo e ajuste-a para o comprimento adequado para garantir que a criança está segura. **29**

! Mantenha a criança segura com as correias e devidamente apertada eliminando quaisquer folgas.

! Certifique-se de que o espaço entre a criança e as alças é aproximadamente da espessura de uma mão.

! Certifique-se sempre de que a cadeira está na posição bloqueada (virada para a retaguarda/virada para a frente) mesmo quando a criança não estiver a utilizá-la.

Utilização no modo virado para a frente
(Altura da criança 76cm a 105 cm/Peso da criança ≤ 19 kg/15 meses - aprox. 4 anos)

Ver imagens **31** - **38**

! Instale o dispositivo avançado de retenção para crianças no assento traseiro do veículo e, em seguida, coloque a criança no dispositivo.

! Deslize o bloqueio inteligente para a direita quando o dispositivo avançado de retenção para crianças for utilizado no modo virado para a retaguarda. **31**

! Pressione o botão de rotação para rodar e colocar/retirar a criança lateralmente de forma fácil e, em seguida rode a cadeira para a posição virada para a frente. **32** **33**

- ! Pressione o botão de rotação num dos lados para rodar o dispositivo avançado de retenção.

Colocar e prender a criança

- ! Para esticar as alças, pressione o botão de ajuste das alças, enquanto puxa as alças para soltar. **34**
- ! Abra a fivela pressionando o botão vermelho. **35**
- ! Remova o redutor quando no modo virado para a frente. **36**
- ! Encoste as linguetas do cinto no lado exterior do dispositivo avançado de retenção para crianças para que as linguetas fiquem fixas no lugar.
- ! Coloque a criança no dispositivo avançado de retenção para crianças e passe ambos os braços pelas correias.
- ! Encaixe a fivela.
- ! Puxe a cinta de ajuste para baixo e ajuste-a para o comprimento adequado para garantir que a criança está segura. **37**
- ! Certifique-se sempre de que a cadeira está na posição bloqueada (virada para a retaguarda/virada para a frente) mesmo quando a criança não estiver a utilizá-la.
- ! Os conectores ISOFIX devem

estar encaixados e bloqueados nos pontos de fixação ISOFIX.

- 38** -1
- ! A perna de apoio deve estar corretamente instalada com o indicador em cor verde. **38** -2
- ! Mantenha a criança segura com as correias e devidamente apertada eliminando quaisquer folgas.
- ! NÃO utilize o modo virado para a frente se a criança não tiver pelo menos 76 cm de altura E 15 meses de idade.

Utilizar no modo de assento elevatório

(Altura da criança 100 cm - 125 cm/altura da criança ≤ 25 kg)

Ver imagens **39** - **46**

- ! Instale o dispositivo avançado de retenção para crianças no assento traseiro do veículo e, em seguida, coloque a criança no dispositivo.
- ! Deslize o bloqueio inteligente para a direita quando o dispositivo avançado de retenção para crianças for utilizado no modo de assento elevatório. **39**

Colocar e prender a criança

- ! Abra a fivela pressionando o botão vermelho. **40**
- ! Remova o redutor quando utilizar o dispositivo no modo de assento elevatório.
- ! Aperte a correia entrepernas e a correia das alças com as capas nos compartimentos. **42** **44**
- ! Ajuste o apoio de cabeça de modo a que a parte inferior do apoio de cabeça fique ao nível dos ombros da criança.
- ! Aperte o cinto de segurança.
- ! A correia de ombro deve passar pelo guia da correia de ombro. **46** -2
- ! A cor dos indicadores de ambos os conectores de encaixes ISOFIX deverá ser completamente verde.
- ! A instalação com conectores ISOFIX no modo de assento elevatório é opcional. Se utilizar os conectores ISOFIX, certifique-se de que os indicadores de ambos os conectores estão totalmente verdes quando o dispositivo estiver encaixado nos pontos de fixação. **46** -1
- ! A perna de apoio deve estar corretamente instalada com o indicador em cor verde. **46** -3
- ! O dispositivo avançado de

retenção para crianças não pode ser utilizado se a fivela do cinto de segurança (conector fêmea da fivela) for demasiado longa para fixar o dispositivo de retenção em segurança. **46** -4

Retirar a capa de tecido

Ver imagens **47** - **52**

- Pressione o botão vermelho para abrir a fivela. **47**
- Siga os passos **48** - **52** para retirar a capa de tecido acolchoado.
- Para voltar a colocar a capa de tecido, repita os passos indicados acima na ordem inversa.

Cuidado e manutenção

- Lave a cobertura da cadeira e o interior acolchoado com água fria a menos de 30 °C.
- Não engome a capa de tecido.
- Não utilize lixívia nem lavar a seco a capa de tecido.
- Não utilize detergentes não diluídos, gasolina ou outros solventes orgânicos para lavar o dispositivo de retenção para crianças. Poderá danificar o dispositivo de retenção para crianças.

Não torcer a capa e o acolchoado interior para secar. Poderá originar vincos na capa e no acolchoado interior.

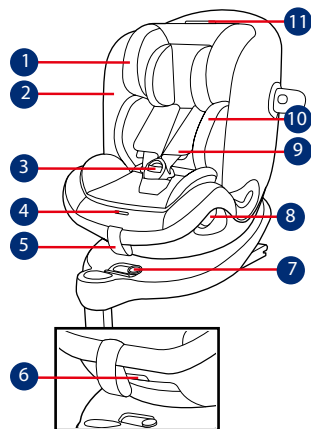
Seque a capa e o acolchoado interior à sombra.

Retire o dispositivo de retenção para crianças do veículo se não pretende utilizá-lo durante um longo período. Coloque o dispositivo de retenção para crianças num local fresco e seco não acessível a crianças.

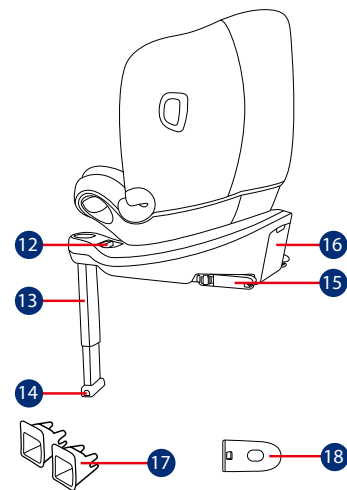
Não modifique os conectores das correias de retenção durante a limpeza.

gracobaby.eu

www.gracobaby.pl



- 1 Oparcie głowy
- 2 Wkładka siedzenia
- 3 Sprzączka
- 4 Przycisk regulacji uprzęży
- 5 Regulowana uprząż
- 6 Przycisk regulacji odchylenia oparcia
- 7 Wyłącznik blokady obrotu
- 8 Przycisk obrotu
- 9 Osłony uprzęży na ramiona
- 10 Wkładka dla niemowlęcia
- 11 Dźwignia regulacji oparcia głowy



- 12 Przycisk regulatora mocowania ISOFIX
 - 13 Wspornik obciążenia
 - 14 Przycisk regulacji wspornika obciążenia
 - 15 Złącze ISOFIX
 - 16 Uchwyt do przechowywania instrukcji obsługi
 - 17 Prowadnice złączy mocowania ISOFIX
 - 18 Zabezpieczenie przed uderzeniem bocznym
- *używanie wyłącznie po stronie drzwi

PL WAŻNE

**PRZED UŻYCIEM FOTELIKA
PROSIMY ZAPOZNAĆ SIĘ Z
ZAWIERAJĄCĄ WAŻNE INFORMACJE
INSTRUKCJĄ I ZACHOWAĆ JĄ
NA PRZYSZŁY UŻYTEK. CZYTAJ
UWAŻNIE. NIEPRZESTRZEGANIE
TYCH INSTRUKCJI MOŻE
SPowodować NARAŻENIE
BEZPIECZEŃSTWA TWOJEGO
DZIECKA.**

**⚠ OSTRZEŻENIE:
WAŻNE, NALEŻY ZACHOWAĆ
DO WYKORZYSTANIA W
PRZYSZŁOŚCI. NALEŻY
PRZECZYTAĆ UWAŻNIE.**

Należy pamiętać, że elementy sztywne i elementy plastikowe podwyższonego fotelika samochodowego powinny być tak umiejscowione i zainstalowane, aby nie zostały uchwycone przez ruchome siedzenie lub drzwi pojazdu.

NIE WOLNO umieszczać podwyższonego fotelika samochodowego skierowanego do tyłu na fotelach, w których zainstalowana jest aktywna przednia poduszka powietrzna.

Aby używać ten podwyższony fotelik dla dziecka, zgodnie z przepisami UN Nr 129/03, dziecko musi spełniać następujące wymagania.

Tryb skierowania do tyłu: Wzrost dziecka 40cm - 105cm / maks. 19kg;

Tryb skierowania do przodu: Wzrost dziecka 76cm - 105cm / maks. 19kg;

Tryb podstawki podwyższającej: Wzrost dziecka 100 - 125 cm /maks. 25kg;

**WAŻNE - NIE NALEŻY USTAWIAĆ
FOTELIKA PRZODEM DO KIERUNKU
JAZDY, ZANIM DZIECKO NIE
PRZEKROCZY WIEKU 15 MIESIĘCY**
(patrz instrukcje).

Podwyższony fotelik samochodowy może nie pasować do wszystkich homologowanych pojazdów ze względu na schowki lub ograniczoną odległość do dachu pojazdu. W razie wątpliwości należy się skontaktować ze sprzedawcą lub z nami.

Pasy utrzymujące podwyższony fotelik samochodowy dla dziecka w pojeździe powinny być naprężone tak, aby wspornik obciążenia stykał się z podłogą pojazdu, a pasy, którymi przypięte jest dziecko powinny być dopasowane do budowy jego ciała. Pasy nie powinny być poskręcane.

Po umieszczeniu dziecka w tym podwyższonym foteliku samochodowym, musi zostać prawidłowo założony pas bezpieczeństwa. Należy się upewnić, że został napięty nisko założony pas biodrowy, podtrzymujący biodro. Ten fotelik samochodowy należy

wymienić na nowy w przypadku jego narażenia na działanie gwałtownych naprężeń w wyniku wypadku. Wypadek może spowodować niewidoczne uszkodzenie.

Należy mieć na uwadze niebezpieczeństwo wynikające z wykonywania zmian lub przeróbek w urządzeniu bez uzyskania zatwierdzenia przez adekwatny urząd oraz niebezpieczeństwo wynikające z nieprzestrzegania instrukcji instalacji dostarczanych przez producenta podwyższonego dziecięcego fotelika samochodowego.

Podwyższony fotelik samochodowy należy chronić przed promieniami słonecznymi. W przeciwnym razie może być on zbyt gorący dla skóry dziecka. Przed umieszczeniem dziecka należy zawsze dotknąć podwyższony fotelik samochodowy. NIE należy pozostawiać dziecka w podwyższonym foteliku samochodowym bez opieki.

Wszelki bagaż lub inne przedmioty, które mogą spowodować obrażenia ciała w razie kolizji powinny być prawidłowo zabezpieczone.

NIE NALEŻY UŻYWAĆ systemu podwyższonego fotelika dla dziecka, bez miękkich wkładek.

Miękkich wkładek nie należy zastępować innymi niż zalecane przez producenta, ponieważ

stanowią one integralny element skuteczności działania fotelika dla dziecka.

Przed zakupieniem należy sprawdzić, czy ten podwyższony fotelik dla dziecka można prawidłowo zainstalować w pojeździe.

ŻADEN podwyższony dziecięcy fotelik samochodowy nie gwarantuje pełnej ochrony przed obrażeniami w wypadku. Jednak prawidłowe użycie tego fotelika w znaczny sposób ograniczy ryzyko poważnego uszczerbku na zdrowiu lub śmierci dziecka.

NIE należy montować ani używać tego podwyższonego fotelika samochodowego, nie postępując ściśle według instrukcji i ostrzeżeń zawartych w tej Instrukcji, ponieważ w przeciwnym razie dziecko może zostać narażone na poważne obrażenia lub śmierć.

NIE należy używać tego podwyższonego fotelika samochodowego, jeśli jest uszkodzony lub gdy brakuje w nim części.

NIE należy pozostawiać dziecka w dużym/zbyt obszernym ubraniu, ponieważ może to uniemożliwić prawidłowe i bezpieczne zamocowanie dziecka paskami uprząży na ramionach i pasem krocowym między udami.

Instrukcje powinny być przechowywane na podwyższonym foteliku dla dziecka przez cały czas ich użytkowania.

Należy także zwrócić uwagę na instrukcje i ostrzeżenia znajdujące się w podręczniku producenta.

Informacje o produkcie

Do instalacji z systemem ISOFIX

1. To jest podwyższony fotelik samochodowy zgodny z systemem i-Size. Posiada on aprobatę zgodności z przepisami UN nr 129, do używania w pozycjach siedzenia pojazdu zgodnych z i-Size, według wskazania przez producentów pojazdów w podręczniku użytkownika pojazdu.

2. W przypadku wątpliwości, należy się skontaktować z producentem podwyższonego fotelika samochodowego dla dzieci lub ze sprzedawcą.

W celu instalacji z 3-punktowym pasem

W celu instalacji z 3-punktowym pasem + system ISOFIX

1. To jest system podwyższonego fotelika samochodowego z podstawką podwyższającą i-Size. Został zatwierdzony zgodnie z przepisami UN nr 129, do używania głównie w "pozycjach fotelika

i-Size", zgodnie z zaleceniami producentów pojazdów w instrukcji obsługi pojazdu.

2. W przypadku wątpliwości, należy się skontaktować z producentem podwyższonego fotelika samochodowego dla dzieci lub ze sprzedawcą.

Materiały Tworzywa sztuczne, metal, tkaniny

Nr patentu Patent zgłoszony

Wskazówki dotyczące instalacji

Patrz rysunki 1 - 4

Stosowanie zabezpieczenia przed uderzeniem bocznym

Patrz rysunki 5 - 6

! Podwyższony fotelik samochodowy dla dziecka, jest dostarczany z wyjmowaną kapsułą zabezpieczenia przed uderzeniem bocznym. Umieść kapsułę zderzenia bocznego po stronie znajdującej się najbliższej drzwi. Instalacja jest pokazana na 5.

6 Naciśnij przycisk zwalniania, aby wyjąć zabezpieczenie przed uderzeniem bocznym.

Regulacja wysokości dla oparcia głowy i upręży na ramiona

Patrz rysunki 7 - 10

! Wyreguluj oparcie głowy i sprawdź, czy uprząż na ramiona znajduje się na prawidłowej wysokości zgodnie z 7 8 9 10.

! Podczas używania w trybie skierowania do tyłu, wysokość upręży na ramiona musi się pokrywać lub znajdować się lekko poniżej wysokości ramion dziecka. 7

! Podczas używania w trybie skierowania do przodu, wysokość upręży na ramiona musi się pokrywać lub znajdować się lekko powyżej wysokości ramion dziecka. 8

! Podczas używania w trybie podstawki podwyższenia, wysokość pasów na ramiona musi się pokrywać z wysokością ramion dziecka. 9

! Naciśnij dźwignię regulacji oparcia głowy i pociągnij w górę lub naciśnij w dół oparcie głowy, aż do zaskoczenia do jednej z 7 pozycji, jak pokazano na ilustracji 10.

Regulacja nachylenia

Patrz rysunki 11 - 13

! Naciśnij przycisk regulacji nachylenia w celu wyregulowania podwyższonego fotelika samochodowego do wymaganego położenia. 11 12 13

! Dostępne są 6 pozycje odchylenia, które można wykorzystać zarówno w trybie skierowania do tyłu, jak i w trybie skierowania do przodu. 12 13

Instalacja podstawy

Patrz rysunki 14 - 20

! W celu ułatwienia montażu wstawić prowadnice ISOFIX. 14

! Naciśnięcie przycisk regulatora mocowania ISOFIX, aby wydłużyć mocowanie ISOFIX. 16 -1 i 16 -2

! Upewnij się, że oba złącza ISOFIX są właściwie założone w ich punktach kotwienia ISOFIX. Kolory wskaźników na obydwóch złączach ISOFIX powinny być całkowicie zielone. 17 -1

! Ponownie naciśnij przyciski regulacji ISOFIX, popychając

oparcie fotelika do tyłu, aż do zetknięcia z oparciem siedzenia pojazdu.

- ! Po przymocowaniu złączy ISOFIX, docisnąć wspornik obciążenia do podłogi. Gdy wskaźnik wspornika obciążenia jest zielony, oznacza to, że znajduje się on w prawidłowej pozycji. **17** -2
- ! Wciśnij przycisk zwalnający wspornik obciążenia, a następnie wyreguluj długość wspornika obciążenia. **17** -3
- ! Należy zawsze upewnić się, że noga stabilizująca ma bezpośredni kontakt z podłogą i jest w pozycji zablokowanej, nawet jeśli nie ma w niej dziecka.

Odłączanie podstawy

- ! Aby odłączyć od pojazdu, naciśnij przycisk regulatora ISOFIX i odciągnij podstawę od siedzenia. Następnie naciśnij i zwolnij złącza z systemu mocowania ISOFIX pojazdu. **19**
- ! Aby zapobiec uszkodzeniu w czasie przenoszenia, naciśnij przycisk regulatora ISOFIX **20** -1 i złóż całkowicie złącze. **20** -2

Używanie w trybie skierowania do tyłu

(Wzrost dziecka 40 - 105 cm/Waga dziecka ≤19 kg/ noworodki - do około 4 lat)

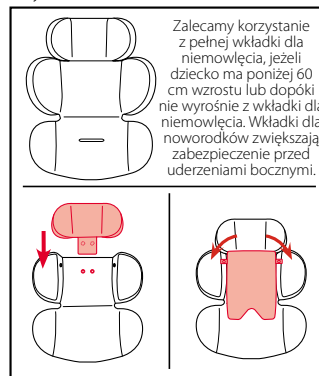
Patrz rysunki **21** - **30**

- ! Zainstaluj podwyższony fotelik samochodowy dla dziecka na tylnym siedzeniu pojazdu, a następnie umieść dziecko w podwyższonym foteliku dla dziecka.
- ! Przesuń zwolnienie blokady Smart w lewo, gdy podwyższony fotelik samochodowy jest wykorzystywany w trybie skierowania do tyłu. **21**
- ! Naciśnij przycisk regulatora ISOFIX i odciągnij podstawę od siedzenia pojazdu. **22**
- ! Naciśnij przycisk obrotu, aby obrócić fotelik w celu łatwiejszego włożenia/wyjęcia dziecka z boku, a następnie obróć fotelik do pozycji przewożenia tyłem do kierunku jazdy. **23** **24**
- ! Naciśnij przyciski obrotu z dowolnej strony, aby obrócić podwyższony dziecięcy fotelik samochodowy.

Zabezpieczanie dziecka w foteliku

- ! Aby wydłużyć pasy uprząży na ramiona, naciśnij przycisk regulacji uprząży, pociągając uprząż na ramiona w celu poluzowania. **25**
- ! Rozepnij uprząż, naciskając czerwony przycisk.
- ! Zamocuj sprzączki z obu stron siedzenia, oznaczone jako **27**, aby ułatwić posadzenie dziecka w trybie skierowania do tyłu.

Używanie wkładki dla noworodka



- ! Umieść dziecko w podwyższonym foteliku samochodowym dla dziecka i przełóż oba ramiona przez uprząż.
- ! Zatrzasknij sprzączkę. Sprawdź **28**
- ! Pociągnij w dół regulator uprząży i wyreguluj do

prawidłowej długości, aby się upewnić, że dziecko jest odpowiednio zabezpieczone.

- 29**
- ! Dziecko zawsze powinno być zabezpieczone uprzążą i odpowiednio przytrzymane przez usunięcie wszystkich luzów.
- ! Upewnij się, że odległość między dzieckiem a uprzążą na ramiona jest w przybliżeniu równa grubości jednej dłoni.
- ! Zawsze należy się upewnić, że siedzenie jest w pozycji zablokowania (tryb skierowania do tyłu/do przodu), nawet jeśli nie ma w nim dziecka.

Używanie w trybie skierowania do przodu

(Wzrost dziecka 76 - 105 cm/Waga dziecka ≤19kg/15 miesięcy - do około 4 lat)

Patrz rysunki **31** - **38**

- ! Zainstaluj podwyższony fotelik samochodowy dla dziecka na tylnym siedzeniu pojazdu, a następnie umieść dziecko w podwyższonym foteliku dla dziecka.

- ! Przesuń zwolnienie blokady Smart w prawo, gdy podwyższony fotelik samochodowy jest wykorzystywany w trybie skierowania do przodu. **31**
- ! Naciśnij przycisk obrotu, aby obrócić fotelik w celu łatwiejszego włożenia/wyjęcia dziecka z boku, a następnie obróć fotelik do pozycji przewożenia przodem do kierunku jazdy. **32 33**
- ! Naciśnij przyciski obrotu z dowolnej strony, aby obrócić podwyższony dziecięcy fotelik samochodowy.

Zabezpieczanie dziecka w foteliku

- ! Aby wydłużyć pasy uprząży na ramiona, naciśnij przycisk regulacji uprząży, pociągając uprząż na ramiona w celu poluzowania. **34**
- ! Odblokuj sprzączkę uprząży naciskając czerwony przycisk. **35**
- ! W trybie skierowania do przodu należy wyjąć wkładkę dla niemowlęcia. **36**
- ! Umieść języki sprzączki na zewnętrznej stronie podwyższonego fotelika samochodowego, aby języki znajdowały się na swoim miejscu.
- ! Umieść dziecko w podwyższonym foteliku samochodowym dla dziecka i przełoż oba ramiona przez uprząż.
- ! Zatrzaśnij sprzączkę.
- ! Pociągnij w dół regulator uprząży i wyreguluj do prawidłowej długości, aby się upewnić, że dziecko jest odpowiednio zabezpieczone. **37**
- ! Zawsze należy się upewnić, że siedzenie jest w pozycji zablokowania (tryb skierowania do tyłu/do przodu), nawet jeśli nie ma w nim dziecka.
- ! Złącza ISOFIX muszą być podłączone i zablokowane w punktach kotwiących ISOFIX. **38** -1
- ! Wspornik obciążenia musi być zamontowany prawidłowo ze wskaźnikiem w kolorze zielonym. **38** -2
- ! Dziecko zawsze powinno być zabezpieczone uprzążą i odpowiednio przytrzymane przez usunięcie wszystkich luzów.
- ! NIE należy używać trybu skierowania do przodu, aż do osiągnięcia przez dziecko wzrostu co najmniej 76cm ORAZ wieku 15 miesięcy.

Używanie w trybie podstawki podwyższającej (Wzrost dziecka 100cm- 125cm/Waga dziecka ≤ 25kg)

Patrz rysunki **39** - **46**

- ! Zainstaluj podwyższony fotelik samochodowy dla dziecka na tylnym siedzeniu pojazdu, a następnie umieść dziecko w podwyższonym foteliku dla dziecka.
- ! Przesuń zwolnienie blokady Smart w prawo, gdy podwyższony fotelik samochodowy jest wykorzystywany w trybie podstawki podwyższenia. **39**

Zabezpieczanie dziecka w foteliku

- ! Odblokuj sprzączkę uprząży naciskając czerwony przycisk. **40**
- ! W trybie podstawki podwyższającej należy usunąć wkładkę dla niemowlęcia.
- ! Schowaj pasek kroczy i pasek na ramię z osłonami do wnek. **42 44**
- ! Tak wyreguluj zagłówki, aby jego dolna część znajdowała się na poziomie ramion dziecka.

- ! Zapnij pasem samochodowym.
- ! Pas na ramiona musi przejść przez prowadnicę pasa na ramiona. **46** -2
- ! Kolory wskaźników na obu złączach mocowania ISOFIX powinny być całkowicie zielone.
- ! Instalacja ze złączami ISOFIX w trybie podstawki podwyższającej jest opcjonalna. Jeżeli są używane złącza ISOFIX należy się upewnić, że po zamocowaniu do punktów kotwiących, kolory wskaźników są całkowicie zielone. **46** -1
- ! Wspornik obciążenia musi być zamontowany prawidłowo ze wskaźnikiem w kolorze zielonym. **46** -3
- ! Podwyższonego fotelika dziecięcego nie wolno używać, jeżeli sprzączka pasa bezpieczeństwa w pojeździe (żeńska końcówka sprzączki) jest za długa, aby pewnie przymocować podwyższony fotelik dla dziecka. **46** -4

Odlączenie miękkich elementów

Patrz rysunki **47** - **52**

Naciśnij czerwony przycisk, aby zwolnić sprzączkę. **47**

Aby odłączyć miękkie elementy, wykonaj czynności 48 - 52.

Aby ponownie doczepić miękkie elementy wykonaj czynności opisane powyżej w odwrotnej kolejności.

Pielęgnacja i konserwacja

Pokrowiec siedzenia i obicie wewnętrzne należy myć zimną wodą o temperaturze poniżej 30°C.

Nie należy prasować miękkich elementów.

Nie należy wybielać lub czyścić chemicznie miękkich elementów.

Nie należy używać do mycia fotelika samochodowego dla dziecka nierozcieńczonych detergentów, benzyny lub innych rozpuszczalników organicznych. Mogą one spowodować uszkodzenie fotelika samochodowego dla dziecka.

Nie wykręcać pokrowca siedzenia oraz obicia wewnętrznego w celu wysuszenia. Może to spowodować zagniecenia na pokrowcu siedzenia i na obiciu wewnętrznym.

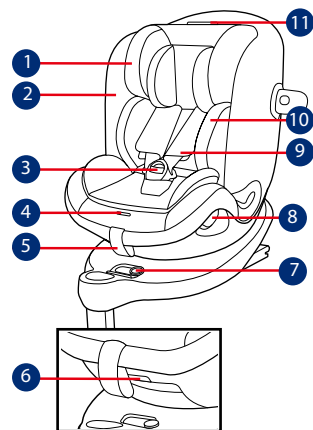
Pokrowiec siedzenia i obicie wewnętrzne należy ręcznie wysuszyć w cieniu.

Dziecięcy fotelik samochodowy należy wymontować z pojazdu, jeżeli nie jest on używany przez dłuższy czas. Fotelik samochodowy należy

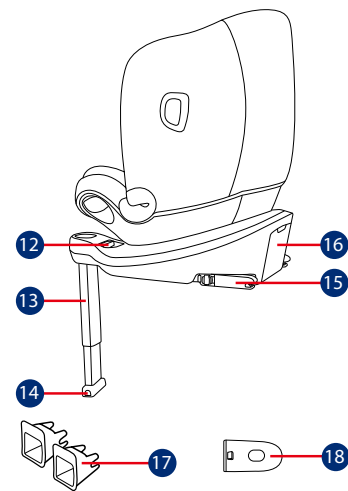
umieścić w chłodnym, suchym miejscu, bez dostępu dziecka.

Nie manipulować przy połączeniach uprząży w czasie czyszczenia.

gracobaby.eu
www.gracobaby.pl



- 1 Podhlavník
- 2 Polstr sedátka
- 3 Přezka
- 4 Tlačítko pro nastavení postroje
- 5 Pás nastavení délky postroje
- 6 Tlačítko nastavení sklonu
- 7 Zámek otáčení odemknutý
- 8 Tlačítko otáčení
- 9 Polstry ramenního postroje
- 10 Vložka pro novorozence



- 11 Páčka nastavení opěrky hlavy
- 12 Tlačítko nastavení ISOFIX
- 13 Opěrná noha
- 14 Tlačítko nastavení opěrné nohy
- 15 Konektor ISOFIX
- 16 Příhrádka na návod
- 17 Vodítka upevnění ISOFIX
- 18 Ochrana proti bočnímu nárazu
*Ize používat pouze na straně u dveří

CZ DŮLEŽITÉ

PŘED POUŽITÍM SI POZORNĚ PŘEČTĚTE TYTO POKYNY A USCHOVEJTE JE PRO BUDOUCÍ POUŽITÍ. V PŘÍPADĚ NEDODRŽENÍ TĚCHTO POKYŇŮ MŮŽE DOJÍT K OHROŽENÍ BEZPEČNOSTI VAŠEHO DÍTĚTE.

VAROVÁNÍ:

DŮLEŽITÉ, USCHOVEJTE PRO BUDOUCÍ POUŽITÍ: POZORNĚ ČTĚTE.

Dbejte na to, aby pevné předměty a plastové části vylepšené dětské autosedačky byly umístěny a instalovány tak, aby nemohly být zachyceny pohyblivým sedadlem nebo dveřmi vozidla.

NEPOUŽÍVEJTE vylepšené dětské autosedačky v orientaci proti směru jízdy na sedadlech, na kterých je nainstalován aktivní čelní airbag.

Aby bylo možné používat tento vylepšený dětský zádržný systém v souladu s předpisem UN č. 129/03, musí vaše dítě splňovat následující požadavky.

Proti směru jízdy: Výška dítěte 40 - 105 cm/ max. 19 kg;

Po směru jízdy: Výška dítěte 76 - 105 cm/ max. 19 kg;

Podsedákový režim: Výška dítěte 100 - 125 cm/ max. 25 kg;

DŮLEŽITÉ - NEPOUŽÍVEJTE ORIENTACI

PO SMĚRU JÍZDY, DOKUD VĚK DÍTĚTE NEPŘESÁHNE 15 MĚSÍČŮ (viz návod).

Je možné, že tento vylepšený dětský zádržný systém nebude možné umístit do všech schválených vozů z důvodu úložných prostor nebo omezeného prostoru ke stropu vozidla. Pokud si nevíte rady, obraťte se na vašeho prodejce nebo kontaktujte nás.

Veškeré popruhy, které přidržují tuto vylepšenou dětskou autosedačku k vozidlu, musí být utažené. Opěrná noha se musí dotýkat podlahy vozidla. Všechny popruhy zajišťující dítě musí být nastaveny podle jeho těla. Popruhy nesmí být zkroutené.

Po umístění dítěte do této vylepšené dětské autosedačky musí být správně použit bezpečnostní pás. Zkontrolujte, aby nebyl žádný z bederních popruhů v dolní části opotřebovaný a aby byla pánev pevně zajištěna.

Pokud byla tato vylepšená dětská autosedačka vystavena nadměrnému pnutí při dopravní nehodě, musí být vyměněna. Při dopravní nehodě může dojít ke skrytému poškození.

Zvažte nebezpečí, které s sebou nesou jakékoli úpravy nebo doplňky tohoto zařízení, které nebyly schváleny kompetentním orgánem. Dále zvažte nebezpečí, které vyplývá z nedodržení pokynů pro instalaci

od výrobce této vylepšené dětské autosedačky.

Tuto vylepšenou dětskou autosedačku uchovávejte mimo přímé sluneční světlo. V opačném případě bude příliš horká pro pokožku dítěte. Před umístěním dítěte vždy dotykem zkontrolujte teplotu vylepšené dětské autosedačky.

NENECHÁVEJTE dítě v této vylepšené dětské autosedačce.

Veškerá zavazadla nebo jiné předměty, které v případě nehody mohou způsobit zranění, musí být řádně zajištěny.

Tento vylepšený dětský zádržný systém NELZE používat bez látkových potahů.

Látkové potahy smí být nahrazeny pouze podle doporučení výrobce, protože se nedílnou částí podílejí na účinnosti zádržného systému.

Před zakoupením zkontrolujte, zda lze tuto vylepšenou dětskou autosedačku řádně nainstalovat do vašeho vozu.

ŽÁDNÁ vylepšená dětská autosedačka nezaručuje plnou ochranu před zraněním v případě nehody. Správným používáním této vylepšené dětské autosedačky se ale sníží riziko vážného zranění nebo smrti vašeho dítěte.

VŽDY instalujte tuto vylepšenou

dětskou autosedačku výhradně v souladu s tímto návodem. V opačném případě vystavujete své dítě nebezpečí vážného zranění nebo smrti.

V ŽÁDNÉM PŘÍPADĚ nepoužívejte tuto vylepšenou dětskou autosedačku, pokud je nekompletní nebo poškozená.

NEOBLÉKEJTE své dítě do oblečení, které je příliš/nadměrně velké. Mohlo by to zabránit řádnému a bezpečnému uchycení dítěte ramenními popruhy a popruhy mezi nohama.

Pokyny je třeba uchovávat ve vylepšené dětské autosedačce po celou dobu používání.

Rovněž věnujte pozornost pokynům a varováním v příručce výrobce vozu.

Informace o produktu

Pro instalaci se systémem ISOFIX

1. Toto je vylepšená dětská autosedačka i-Size. Byla schválena v souladu s předpisem OSN č. 129 pro používání na místech k sezení vozu, která jsou kompatibilní se standardem i-Size, jak je uvedeno výrobcem vozu v návodu na použití vozu.
2. Pokud si nebudete jisti, obraťte se na výrobce nebo prodejce této vylepšené dětské autosedačky.

Instalace pomocí 3bodového pásu

Instalace pomocí 3bodového pásu a systému ISOFIX

1. Toto je vylepšená dětská podsedáková autosedačka i-Size. Byl schválen v souladu s předpisem UN č. 129 pro používání primárně na „místech k sezení i-Size“ dle pokynů výrobce vozidla v návodu k vozidlu.

2. Pokud si nebudete jisti, obraťte se na výrobce nebo prodejce této vylepšené dětské autosedačky.

Materiál Plasty, kovy, textil

Č. patentu Čeká na udělení patentu

Upozornění k instalaci

Viz obrázky 1 - 4

Použití ochrany proti bočnímu nárazu

Viz obrázky 5 - 6

! Tato vylepšená dětská autosedačka je dodávána s odnímatelnou ochranou proti bočnímu nárazu. Zasuňte ochranu proti bočnímu nárazu na stranu nejbližší ke dveřím. Instalace je uvedena na obrázku 5.

6 Chcete-li ochranu proti bočnímu nárazu odejmout, stiskněte uvolňovací tlačítko.

Výškové nastavení pro hlavovou opěrku a ramenní pásy

Viz obrázky 7 - 10

! Nastavte hlavovou opěrku a zkontrolujte, zda se ramenní pásy nacházejí ve správné výšce podle 7 8 9 10.

! Při používání proti směru jízdy musí být ramenní pásy zároveň s horní stranou ramen dítěte nebo těsně pod ní. 7

! Při používání po směru jízdy musí být ramenní pásy zároveň s horní stranou ramen dítěte nebo těsně nad ní. 8

! Při používání v režimu podsedáku musí být vodítka ramenních pásů zároveň s rameny dítěte. 9

! Stiskněte páčku nastavení hlavové opěrky a vysuňte nebo zasuňte hlavovou opěrku, dokud nezapadne do jedné z 7 pozic viz 10.

Nastavení sklonu

Viz obrázky 11 - 13

! Stiskněte tlačítko nastavení sklonu a upravte vylepšenou dětskou autosedačku do požadované pozice. 11 12 13

! K dispozici je 6 poloh sklonu, které lze použít v režimu proti směru jízdy i v režimu po směru jízdy. 12 13

Instalace základny

Viz obrázky 14 - 20

! Pro usnadnění instalace nasadte vodiče konektorů ISOFIX. 14

! Stisknutím tlačítka nastavení ISOFIX vysuňte ISOFIX. 16 -1 & 16 -2

! Ujistěte se, že jsou oba konektory ISOFIX pevně uchyceny k příslušným kotvicím bodům ISOFIX. Při správném uchycení by měly být indikátory na obou konektorech ISOFIX zcela zelené. 17 -1

! Stiskněte znovu nastavovací tlačítka ISOFIX a zároveň zatlačte sedačku dozadu tak, aby se dotýkala opěrku sedadla vozu.

! Po připevnění systému ISOFIX vysuňte opěrnou nohu k podlaze. Když je indikátor opěrné nohy zelený, opěrná noha je nainstalována správně. 17 -2

! Stiskněte uvolňovací tlačítko

opěrné nohy a potom upravte její délku. 17 -3

! Vždy zajistěte, aby se opěrná noha přímo dotýkala podlahy a byla v zajištěné poloze, i když v ní není dítě.

Vyjmutí základny

! Chcete-li vyjmout základnu z vozidla, stiskněte tlačítko nastavení ISOFIX a stáhněte základnu ze sedadla. Potom stiskněte a vyjměte konektory ze systému ISOFIX vozu. 19

! Aby se zabránilo poškození během převážení, stiskněte tlačítko nastavení ISOFIX 20 -1 a konektor zcela zasuňte. 20 -2

Používání proti směru jízdy (Výška dítěte 40 cm - 105 cm/hmotnost dítěte ≤ 19 kg/novorozenec

- přibl. 4 roky)

Viz obrázky 21 - 30

! Nainstalujte vylepšenou dětskou autosedačku na zadní sedadlo vozu a poté do ní usadte dítě.

! Při používání vylepšené dětské autosedačky v orientaci proti směru jízdy posuňte vodič pásu Smart doleva. 21

- ! Stiskněte tlačítko nastavení ISOFIX a stáhněte základnu ze sedadla vozu. **22**
- ! Stisknutí otočného tlačítka zaměňte stranu pro snazší vkládání/vyjímání dítěte. Potom otočte sedačku do polohy proti směru jízdy. **23 24**
- ! Stiskněte tlačítko otáčení na některé straně a otočte vylepšenou dětskou autosedačku.

Zajištění dítěte

- ! Chcete-li prodloužit pásy ramenního postroje, stiskněte tlačítko nastavení postroje a zároveň vytažením uvolněte ramenní postroj. **25**
- ! Stisknutím červeného tlačítka rozepněte přezku.
- ! Upevněte přezky na obou stranách sedačky, jak je označeno na **27** tak, aby bylo vložení dítěte proti směru jízdy pohodlnější.

Použití vložky pro novorozence



Doporučujeme používat kompletní vložku pro novorozence pro dítě do 60 cm a lze ji používat do té doby, dokud dítě z novorozenecké vložky nevyroste. Tato vložka zvyšuje ochranu proti bočnímu nárazu.

- ! Usadte dítě do vylepšené dětské autosedačky a protáhněte obě jeho ruce skrz postroj.
- ! Zapněte přezku. Viz **28**
- ! Zatáhněte za pás nastavení délky postroje a utáhněte je tak, aby bylo dítě pevně připoutáno. **29**
- ! Vždy uchovávejte dítě zajištěné v řádně utaženém postroji bez zbytečné vůle.
- ! Zajištěte, aby mezi dítětem a popruhy ramenního postroje byl prostor přibližně na tloušťku jedné ruky.
- ! Vždy se ujistěte, že je sedačka v zajištěné poloze (proti/po směru jízdy), i když v ní není dítě.

Používání po směru jízdy

(Výška dítěte 76 cm - 105 cm/hmotnost dítěte ≤ 19 kg/15 měsíců - přibližně 4 roky)

Viz obrázky **31 - 38**

- ! Nainstalujte vylepšenou dětskou autosedačku na zadní sedadlo vozu a poté do ní usadte dítě.
- ! Při používání vylepšené dětské autosedačky v orientaci po směru jízdy posuňte vodič pásu Smart doprava. **31**
- ! Stisknutím otočného tlačítka zaměňte stranu pro snazší vkládání/vyjímání dítěte. Potom otočte sedačku do polohy po směru jízdy. **32 33**
- ! Stiskněte tlačítko otáčení na některé straně a otočte vylepšenou dětskou autosedačku.

Zajištění dítěte

- ! Chcete-li prodloužit pásy ramenního postroje, stiskněte tlačítko nastavení postroje a zároveň vytažením uvolněte ramenní postroj. **34**
- ! Uvolněte přezku postroje stisknutím červeného tlačítka.

35

- ! Při používání po směru jízdy vyjměte novorozeneckou vložku. **36**
- ! Položte jazýčky přezky na vnější stranu vylepšené dětské autosedačky tak, aby se jazýčky zachytily na místě.
- ! Usadte dítě do vylepšené dětské autosedačky a protáhněte obě jeho ruce skrz postroj.
- ! Zapněte přezku.
- ! Zatáhněte za pás nastavení délky postroje a utáhněte je tak, aby bylo dítě pevně připoutáno. **37**
- ! Vždy se ujistěte, že je sedačka v zajištěné poloze (proti/po směru jízdy), i když v ní není dítě.
- ! Konektory ISOFIX musí být připevněny a zajištěny na kotvicích bodech ISOFIX. **38 -1**
- ! Opěrná noha musí být nainstalována správně se zeleným indikátorem. **38 -2**
- ! Vždy uchovávejte dítě zajištěné v řádně utaženém postroji bez zbytečné vůle.
- ! NEPOUŽÍVEJTE režim po směru jízdy, pokud výška vašeho dítěte není alespoň 76 cm A ZÁROVEN nemá alespoň 15 měsíců.

Používání v podsedákovém režimu

(Výška dítěte 100 cm

- 125 cm/ hmotnost

dítěte ≤ 25 kg)

Viz obrázky 39 - 46

- ! Nainstalujte vylepšenou dětskou autosedačku na zadní sedadlo vozu a poté do ní usadte dítě.
- ! Při používání vylepšené dětské autosedačky v režimu podsedáku posuňte vodič pásu Smart doprava. 39

Zajištění dítěte

- ! Uvolněte přezku postroje stisknutím červeného tlačítka. 40
- ! V režimu podsedáku vyjměte novorozeneckou vložku.
- ! Zasuňte rozkrokový popruh a ramenní popruh s potahem do přihrádek. 42 44
- ! Nastavte opěrku hlavy tak, aby její spodní část byla v rovině s rameny dítěte.
- ! Zapněte přezku bezpečnostního pásu vozu.
- ! Ramenní pás musí procházet otvorem pro ramenní pás. 46 -2
- ! Při správném uchycení by měly být indikátory na obou

konektorech ISOFIX zcela zelené.

- ! Instalace s konektory ISOFIX v režimu podsedáku je volitelná. V případě použití konektorů ISOFIX se ujistěte, že barva indikátorů připojených ke kotvicím bodům na obou konektorech je zcela zelená. 46 -1
- ! Opěrná noha musí být nainstalována správně se zeleným indikátorem. 46 -3
- ! Zdokonalený dětský zádržný systém nelze instalovat do vozů, u kterých je přezka bezpečnostního pásu vozu (samičí část svorky) příliš daleko od sedadla a neumožňuje tak bezpečnou instalaci. 46 -4

Sejmutí látkových částí

Viz obrázky 47 - 52

Stiskněte červené tlačítko pro odepnutí přezky. 47

Sejměte látkové části podle kroků

48 - 52.

Při nasazování hlavové opěrky a novorozenecké vložky postupujte v obráceném pořadí.

Péče a údržba

Potah sedačky a vnitřní polstrování perte ve studené vodě do 30°C.

Látkové části nežehlete.

Na látkové části nepoužívejte bělidlo ani je nečistěte za sucha.

K mytí této autosedačky nepoužívejte nezředěné čisticí prostředky, benzín ani jiná organická rozpouštědla. Mohlo by dojít k poškození autosedačky.

Potah sedačky ani vnitřní polstrování neždímejte. Mohlo by to na potahu sedačky nebo na vnitřním polstrování zanechat záhyby.

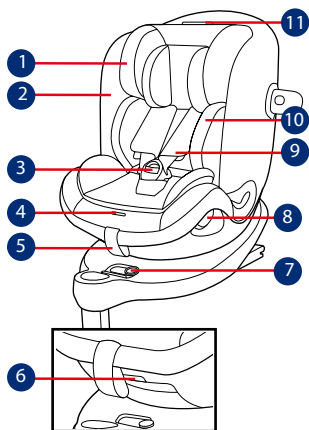
Potah sedačky a vnitřní polstrování nechte vyschnout zavěšené ve stínu.

Pokud sedačku delší dobu nepoužíváte, vyjměte ji z vozidla. Dětskou autosedačku skladujte na chladném a suchém místě mimo dosah dětí.

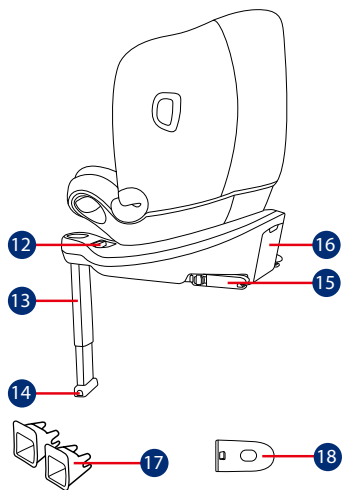
Při čištění si nehrajte s konektory postroje.

gracobaby.eu

www.gracobaby.pl



- 1 Oslonac za glavu
- 2 Jastuk sjedalice
- 3 Kopča
- 4 Gumb za podešavanje opreme za učvršćivanje
- 5 Trake za podešavanje
- 6 Gumb za podešavanje nagiba
- 7 Deblokada okretanja
- 8 Okretni gumb
- 9 Jastučići traka za pričvršćivanje djetetovih ramena
- 10 Umetak za bebu



- 11 Ručnica za podešavanje oslonca za glavu
- 12 Gumb za podešavanje ISOFIX priključka
- 13 Potporni nogar
- 14 Gumb za podešavanje potpornog nogara
- 15 ISOFIX priključak
- 16 Utor za priručnik s uputama
- 17 Vodilice ISOFIX priključaka
- 18 Zaštita od bočnog udarca

*mora se koristiti samo na strani bočnih vrata

HR VAŽNO

PRIJE UPORABE PAŽLJIVO PROČITAJTE OVE UPUTE I ZADRŽITE IH ZA BUDUĆU UPORABU. SIGURNOST VAŠEG DJETETA MOŽE BITI UGROŽENA AKO SE NE PRIDRŽAVATE OVIH UPUTA.

⚠️ UPOZORENJE:
VAŽNO, SAČUVAJTE ZA BUDUĆU UPORABU: PAŽLJIVO PROČITAJTE.

Imajte na umu da čvrste i plastične dijelove napredne dječje autosjedalice treba postaviti tako da se ne mogu zaglaviti zbog pomicanja sjedala ili vrata vozila.

NE KORISTITE naprednu dječju autosjedalicu okrenutu obrnuto od smjera vožnje ako je aktiviran prednji zračni jastuk.

Za korištenje ove napredne dječje autosjedalice u skladu s Uredbom UN-a br. 129/03 dijete mora imati sljedeće mjere.

Smještaj suprotno od smjera vožnje: Visina djeteta 40 cm – 105 cm / maks. 19 kg;

Smještaj u smjeru vožnje: Visina djeteta 76 cm – 105 cm / maks. 19 kg;

Korištenje kao booster autosjedalice: Visina djeteta 100 cm – 125 cm / maks. 25 kg;

VAŽNO - NE KORISTITE DJEČJU AUTOSJEDALICU OKRENTU U

SMJERU VOŽNJE PRIJE DJETETOVIH NAVRŠENIH 15 MJESECI (pogledajte upute).

Naprednu dječju autosjedalicu možda neće biti moguće postaviti u sva odobrena vozila zbog odjeljka za pohranu ili ograničenog prostora do krova vozila. U slučaju nedoumice kontaktirajte prodavača ili nam se obratite.

Sve trake koje pričvršćuju naprednu dječju autosjedalicu u vozilu moraju biti sigurno učvršćene, podržava mora biti u kontaktu s podom vozila, sigurnosni pojasevi za dijete moraju biti podešeni prema djetetovom tijelu i ne smiju ni u kom slučaju biti uvrnuti.

Nakon postavljanja djeteta u ovu naprednu dječju autosjedalicu potrebno je pravilno pričvrstiti sigurnosne pojaseve. Provjerite je li pojas preko krila nisko postavljen kako bi zdjelica djeteta bila sigurno i dobro pričvršćena u slučaju sudara.

Naprednu dječju autosjedalicu treba promijeniti ako je bila izložena snažnim udarcima tijekom automobilske nesreće. Automobilska nesreća može prouzročiti oštećenja koja nisu uočljiva.

Imajte na umu opasnosti koje će nastati zbog preinaka ili dodataka na proizvodu bez odobrenja odgovarajućeg tijela te zbog

nepridržavanja strogih uputa za ugradnju koje je naveo proizvođač napredne dječje autosjedalice.

Naprednu dječju autosjedalicu držite izvan utjecaja izravnog sunčevog svjetla jer može biti prevruća za osjetljivu dječju kožu. Uvijek dodirnite naprednu dječju autosjedalicu prije no što u nju stavite dijete.

NIKAD NE ostavljajte dijete bez nadzora u naprednoj dječjoj autosjedalici.

Sva prtljaga ili drugi predmeti koji bi mogli prouzročiti ozljede u slučaju sudara moraju biti pravilno pričvršćeni.

Napredna dječja autosjedalica NE SMIJE SE KORISTITI bez obloga i mekih dijelova.

Obloge i meki dijelovi napredne dječje autosjedalice smiju se zamijeniti isključivo onima koje preporučuje proizvođač jer su i ti dijelovi bitni za učinkovitost i radna svojstva sigurnosnog sustava za dijete.

Prije kupovine provjerite može li se ova napredna dječja autosjedalica pravilno ugraditi u vaše vozilo.

NITI najnaprednija dječja autosjedalica ne može jamčiti potpunu zaštitu od ozljeda u automobilskoj nesreći. No, pravilna uporaba ove napredne dječje autosjedalice smanjit će rizik od

ozbiljnih ozljeda ili smrti djeteta.

NE POSTAVLJAJTE ovu naprednu dječju autosjedalicu ako se nećete strogo pridržavati uputa u ovom priručniku jer time svoje dijete možete dovesti u ozbiljnu opasnost od ozljeda i smrti.

NE KORISTITE ovu naprednu dječju auto-sjedalicu ako je oštećena ili joj nedostaju dijelovi.

NE ODIJEVAJTE djetetu odjeću koja je za njega prevelika jer to može onemogućiti pravilno pritezanje traka za pričvršćivanje djetetovih ramena i pričvršnog remena između nogu.

Upute treba čuvati tijekom cijelog vijeka korištenja napredne dječje autosjedalice.

Također obratite pažnju na upute i upozorenja u priručniku proizvođača vozila.

Podaci o proizvodu

Za postavljanje sa sustavom ISOFIX

1. Ovo je i-Size napredna dječja autosjedalica. Odobrena je u skladu s Uredbom UN-a br. 129 za upotrebu na mjestima za sjedenje u vozilu koja su kompatibilna s „i-Size“, kako navode proizvođači vozila u odgovarajućem korisničkom priručniku vozila.
2. U slučaju nedoumice provjerite kod proizvođača naprednog

sustava pričvršćivanja djeteta ili prodavača.

Za postavljanje sa sigurnosnim pojasmom u 3 točke

Za postavljanje sa sigurnosnim pojasmom u 3 točke + ISOFIX sustavom

1. Ovo je i-Size booster sjedalo napredne dječje autosjedalice. Odobrena je prema Uredbi UN-a br. 129 za uporabu prvenstveno u „i-Size sjedećim položajima“ kako su naveli proizvođači vozila u odgovarajućem korisničkom priručniku vozila.
2. U slučaju nedoumice provjerite kod proizvođača naprednog sustava pričvršćivanja djeteta ili prodavača.

Materijali Plastika, metal, tkanine

Patent br. Patenti prijavljeni i čekaju registraciju

O čemu voditi računa prilikom postavljanja

Pogledajte slike **1** - **4**

Upotreba zaštite od bočnog udara

Pogledajte slike **5** - **6**

! Napredna dječja autosjedalica

isporučuje se s podloškom za zaštitu od bočnog udara koja se može ukloniti. Umetnite podlošku za zaštitu od bočnog udara na stranu najbližu vratima. Postavljanje je prikazano na slici **5**.

- 6** Pritisnite gumb za oslobađanje radi uklanjanja zaštite od bočnog udara.

Podešavanje visine oslonac za glavu i trake za pričvršćivanje djetetovih ramena

Pogledajte slike **7** - **10**

! Namjestite oslonac za glavu i provjerite jesu li trake za pričvršćivanje ramena na ispravnoj visini u skladu s **7** **8** **9** **10**.

! Kad se dječja autosjedalica koristi okrenuta suprotno od smjera vožnje trake za pričvršćivanje djetetovih ramena moraju biti u ravnini ili malo ispod djetetovih ramena. **7**

! Kad se dječja autosjedalica koristi okrenuta u smjeru vožnje trake za pričvršćivanje djetetovih ramena moraju biti u ravnini ili malo iznad djetetovih ramena. **8**

! Kada se koristi kao booster

sjedalica, vodilice sigurnosnih pojaseva za ramena moraju biti u ravnini s djetetovim ramenima.

9

- ! Pritisnite ručicu za podešavanje oslonca za glavu istodobno povlačeći ili gurajući oslonac za glavu prema gore ili gurajući ga prema dolje dok ne škljocne i smjesti se u jedan od 7 položaja, kao na slici **10**.

Podešavanje nagiba

Pogledajte slike **11** - **13**

- ! Pritisnite ručku za podešavanje nagiba i namjestite naprednu dječju autosjedalicu u željeni položaj. **11** **12** **13**
- ! Postoji 6 položaja nagiba koji se mogu upotrebljavati s autosjedalicom okrenutom u smjeru vožnje kao i obrnuto od smjera vožnje. **12** **13**

Postavljanje baze

Pogledajte slike **14** - **20**

- ! Umetnite ISOFIX vodilice koje će pomoći pri postavljanju. **14**
- ! Pritisnite gumb za podešavanje ISOFIX priključka kako biste produžili ISOFIX. **16** -1 & **16** -2
- ! Provjerite jesu li oba ISOFIX

priključka sigurno pričvršćena na odgovarajuće ISOFIX točke sidrenja. Indikatori na oba ISOFIX priključka trebaju biti posve zeleni. **17** -1

- ! Ponovno pritisnite gumb za podešavanje ISOFIX priključka dok sjedalicu gurate prema natrag dok ne dodirne naslon sjedala vozila.
- ! Nakon priključivanja ISOFIX-a povucite potporni nogar prema dolje do poda. Kad je indikator potpornog nogara zelene boje, to znači da je nogar pravilno postavljen. **17** -2
- ! Stisnite gumb za oslobađanje potpornog nogara, a zatim ga skratite. **17** -3
- ! Uvjerite se da je potporni nogar u kontaktu s podom vozila i da je blokiran u tom položaju i kad dijete nije u autosjedalici.

Uklanjanje baze

- ! Za uklanjanje iz vozila pritisnite gumb za podešavanje ISOFIX priključka i povucite bazu sa sjedala. Zatim pritisnite i oslobodite priključke iz ISOFIX nosača u vozilu. **19**
- ! Za sprječavanje oštećenja tijekom prenošenja autosjedalice pritisnite gumb za podešavanje ISOFIX priključka **20** -1 i sasvim sklopite priključak. **20** -2

Korištenje autosjedalice okrenute suprotno od smjera vožnje (Visina djeteta 40 cm – 105 cm / težina djeteta ≤ 19 kg / beba pribl. do 4 godine starosti)

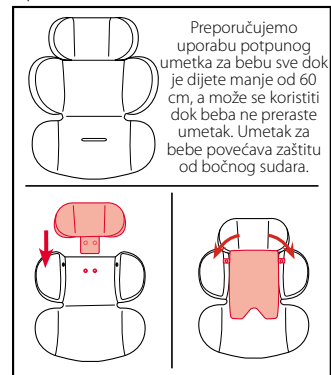
Pogledajte slike **21** - **30**

- ! Naprednu dječju autosjedalicu učvrstite na stražnje putničko sjedalo u vozilu, a zatim u nju stavite dijete.
 - ! Klizite Smart blokadu ulijevo kada se napredna dječja autosjedalica koristi okrenuta suprotno od smjera vožnje. **21**
 - ! Pritisnite gumb za podešavanje ISOFIX priključka i povucite bazu prema sjedalu vozila. **22**
 - ! Pritisnite okretni gumb kako biste okrenuli autosjedalicu radi lakšeg stavljanja/vađenja djeteta, a zatim je okrenite u smjeru suprotnom od smjera vožnje. **23** **24**
 - ! Pritisnite okretni gumb na bilo kojoj strani kako biste okrenuli naprednu dječju autosjedalicu.
- Pričvršćivanje djeteta
- ! Za produljivanje traka za

pričvršćivanje ramena pritisnite gumb za podešavanje opreme za učvršćivanje dok izvlačite trake za ramena kako biste ih opustili. **25**

- ! Otkopčajte trake za pričvršćivanje djeteta pritiskom na crveni gumb.
- ! Učvrstite kopče na obje strane dječje autosjedalice označene kao **27**, kako biste stavljanje djeteta u autosjedalicu okrenutu suprotno od smjera vožnje učinili lakšim i praktičnijim.

Upotreba umetka za bebu



- ! Stavite dijete u naprednu dječju autosjedalicu i provucite mu ruke ispod traka za pričvršćivanje djeteta.
- ! Zakopčajte kopču. Pogledajte **28**

- ! Povucite prema dolje trake za podešavanje i namjestite ih na pravilnu duljinu tako da je dijete pravilno i sigurno pričvršćeno. **29**
- ! Dijete uvijek treba biti pričvršćeno u dječjoj sjedalici s pravilno pritegnutim trakama koje ni na kojem dijelu nisu labave.
- ! Razmak između djeteta i traka sigurnosnih pojaseva za ramena mora biti približno debljine jedne ruke.
- ! Uvijek provjerite je li autosjedalica blokirana na svom položaju (u smjeru suprotnom od vožnje / u smjeru vožnje) čak i kada dijete nije u njoj.

Korištenje autosjedalice u smjeru vožnje (Visina djeteta 76 cm – 105 cm / težina djeteta ≤ 19 kg / od 15 mjeseci do približno 4 godine starosti)

Pogledajte slike **31** - **38**

- ! Naprednu dječju autosjedalicu učvrstite na stražnje putničko sjedalo u vozilu, a zatim u nju stavite dijete.
- ! Kližite Smart blokadu udesno

kada se napredna dječja autosjedalica koristi okrenuta u smjeru vožnje. **31**

- ! Pritisnite okretni gumb kako biste okrenuli autosjedalicu radi lakšeg stavljanja/vađenja djeteta, a zatim je okrenite u smjeru vožnje prema naprijed. **32** **33**
- ! Pritisnite okretni gumb na bilo kojoj strani kako biste okrenuli naprednu dječju autosjedalicu.

Pričvršćivanje djeteta

- ! Za produljivanje traka za pričvršćivanje ramena pritisnite gumb za podešavanje opreme za učvršćivanje dok izvlačite trake za ramena kako biste ih opustili. **34**
- ! Otkopčajte kopču opreme za učvršćivanje pritiskom na crveni gumb na kopči. **35**
- ! Skinite umetak za bebu kad autosjedalicu počnete koristiti okrenutu u smjeru vožnje. **36**
- ! Stavite jezičke kopče na vanjsku stranu napredna dječje autosjedalice kako bi se jezičci postavili na svoje mjesto.
- ! Stavite dijete u naprednu dječju autosjedalicu i provucite mu ruke ispod traka za pričvršćivanje djeteta.
- ! Zakopčajte kopču.
- ! Povucite prema dolje trake za

podešavanje i namjestite ih na pravilnu duljinu tako da je dijete pravilno i sigurno pričvršćeno. **37**

- ! Uvijek provjerite je li autosjedalica blokirana na svom položaju (u smjeru suprotnom od vožnje / u smjeru vožnje) čak i kada dijete nije u njoj.
- ! ISOFIX priključci moraju biti sklopjeni i blokirani u ISOFIX točkama pričvršćivanja. **38** -1
- ! Potporni nogar mora biti pravilno postavljen sa zelenim indikatorom. **38** -2
- ! Dijete uvijek treba biti pričvršćeno u dječjoj sjedalici s pravilno pritegnutim trakama koje ni na kojem dijelu nisu labave.
- ! NE koristite autosjedalicu okrenutu u smjeru vožnje dok dijete nije visoko barem 76 cm I BAREM 15 mjeseci staro.

Korištenje booster autosjedalice (Visina djeteta 100 cm – 125 cm / težina djeteta ≤ 25 kg)

Pogledajte slike **39** - **46**

- ! Naprednu dječju autosjedalicu učvrstite na stražnje putničko

sjedalo u vozilu, a zatim u nju stavite dijete.

- ! Kližite Smart blokadu udesno kada se napredna dječja autosjedalica koristi kao booster autosjedalica. **39**

Pričvršćivanje djeteta

- ! Otkopčajte kopču opreme za učvršćivanje pritiskom na crveni gumb na kopči. **40**
- ! Skinite umetak za bebu kad počnete koristiti kao booster autosjedalicu.
- ! Sigurnosnog pojasa između nogu i traku za rame s jastučićima gurnite u za to namijenjene pretince. **42** **44**
- ! Podesite oslonac za glavu tako da je njegovo dno u razini djetetovih ramena.
- ! Zakopčajte sigurnosnim pojasom vozila.
- ! Sigurnosni pojas za ramena putnika u vozilu mora prolaziti kroz vodilicu za taj pojas na naprednoj dječjoj autosjedalici. **46** -2
- ! Indikatori na oba ISOFIX priključka za pričvršćivanje trebaju biti posve zeleni.
- ! Postavljanje booster autosjedalice s ISOFIX priključcima nije obvezno. Ako se koriste ISOFIX priključci,

provjerite jesu li indikatori oba priključka sasvim zeleni kada su priključeni na točke pričvršćivanja. **46** -1

! Potporni nogar mora biti pravilno postavljen sa zelenim indikatorom. **46** -3

! Napredna dječja autosjedalica ne smije se koristiti ako je kopčica sigurnosnog pojasa u vozilu (ženski kraj kopčice) preduga za sigurno učvršćivanje dječje naprednoj autosjedalici. **46** -4

Skidanje obloga

Pogledajte slike **47** - **52**

Pritisnite crveni gumb za otvaranje kopčice. **47**

Slijedite korake **48** - **52** za skidanje obloga i mekih dijelova.

Za ponovno postavljanje obloga i mekih dijelova ponovite gore navedene korake suprotnim redoslijedom.

Briga i održavanje

Oblogu sjedala i unutarnje umetke perite hladnom vodom temperature niža od 30 °C.

Ne glačajte obloge i meke dijelove.

Ne izbjeljujte niti nemojte kemijski čistiti obloge.

Ne koristite nerazrijeđene

deterdžente, benzin ili druga organska otapala za pranje dječje autosjedalice. To može oštetiti dječju autosjedalicu.

Ne uvijajte oblogu sjedala i unutarnje umetke radi cijedenja i sušenja. To može ostaviti nabore na oblozi sjedala i unutarnjem umetku.

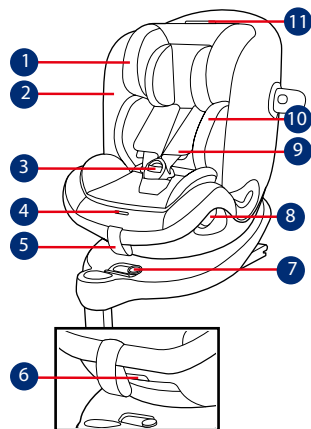
Oblogu sjedala i unutarnje umetke objesite i sušite na sjenovitom mjestu.

Uklonite dječju autosjedalicu sa sjedala u vozilu ako se neće dulje vrijeme koristiti. Stavite dječju autosjedalicu na hladno i suho mjesto izvan dohvata djece.

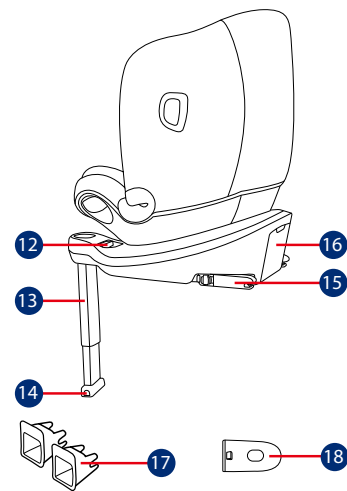
Tijekom čišćenja ne dirajte niti ne mijenjajte priključke traka ne mijenjajte priključke traka za pričvršćivanje djeteta.

gracobaby.eu

www.gracobaby.pl



- 1 Potpora za glavu
- 2 Jastučje sedišta
- 3 Kopčica
- 4 Dugme za podešavanje pojaseva
- 5 Podesiva traka
- 6 Dugme za podešavanje nagiba
- 7 Otpuštanje blokade okretanja
- 8 Dugme za rotiranje
- 9 Pokrivač pojasa preko ramena
- 10 Umetak za bebe



- 11 Ručica za podešavanje potpore za glavu
- 12 ISOFIX dugme za podešavanje
- 13 Potporna noga
- 14 Dugme za podešavanje potporne noge
- 15 ISOFIX konektor
- 16 Skladište za uputstvo za upotrebu
- 17 ISOFIX vođice za dodatke
- 18 Zaštita od bočnog udara

*mora se koristiti samo na strani s vratima

SR VAŽNO

PAŽLJIVO PROČITAJTE OVA UPUTSTVA PRE UPOTREBE I SAČUVAJTE IH ZA BUDUĆU UPOTREBU. BEZBEDNOST VAŠEG DETETA MOŽE BITI UGROŽENA AKO NE PRATITE OVA UPUTSTVA.

⚠️ UPOZORENJE:
VAŽNO, ZADRŽITE ZA BUDUĆU UPOTREBU: PAŽLJIVO PROČITAJTE.

Ne zaboravite da čvrsti i plastični delovi unapređenog sedišta za dete moraju biti postavljeni i montirani tako da se ne zaglave sa sedištem koje se pomera niti da se zaglave u vratima vozila.

NE koristite sisteme unapređenog sedišta za dete u položaju okrenutom unazad na mestima za sedenje gde je instaliran aktivni prednji vazdušni jastuk.

Da biste koristili ovo unapređeno sedišta za dete u skladu sa Uredbom UN br. 129/03, vaše dete mora da ispunjava sledeće uslove.

Sedište okrenuto unazad: Visina deteta 40 cm – 105 cm / maks. 19kg;

Sedište okrenuto unapred: Visina deteta 76cm – 105 cm / maks. 19kg;

Režim buster sedišta: Visina deteta 100 cm – 125 cm / maks. 25 kg;

VAŽNO – NE KORISTITE OKRENUTO UNAPRED PRE NEGO ŠTO DETE

NAPUNI 15 MESECI (pogledajte uputstva).

Unapređeno sedišta za dete možda neće odgovarati svim odobrenim vozilima zbog prostora za skladištenje ili ograničenog prostora do krova vozila. U slučaju nedoumica, obratite se svom prodavcu ili nas kontaktirajte.

Svi pojasevi koji pričvršćuju unapređeno sedišta za dete za vozilo treba da budu zategnuti, sve potpore za noge treba da budu u kontaktu s podom vozila, sve trake koje vezuju dete treba da budu podešene prema telu deteta i trake ne smeju da se uvrću.

Nakon što se vaše dete postavi u ovo unapređeno sedišta za dete, mora se pravilno koristiti sigurnosni pojas. Uverite se da se bilo koji pojas preko krila postavi nisko, tako da je karlični deo čvrsto vezan.

Unapređeno sedišta za dete je potrebno zameniti posle izlaganja snažnim potresima tokom nezgode. Nezgodna može da prouzrokuje oštećenje sedišta koje nije vidljivo.

Uzmite u obzir opasnost od bilo kakvih izmena ili dodataka na proizvodu bez odobrenja odgovarajućeg organa, kao i opasnost od nepoštovanja uputstava za montažu koja je obezbedio proizvođač unapređenog sedišta za dete.

Držite ovo unapređeno sedišta za dete dalje od sunčeve svetlosti jer može postati prevruće za dečiju kožu. Uvek prvo dodirnite unapređeno sedišta za dete pre nego što u njega stavite dete.

NIKADA ne ostavljajte dete bez nadzora u ovom unapređenom sedištu za dete.

Bilo koji prtljag ili drugi predmeti koji mogu da prouzrokuju povrede u slučaju nezgode treba da budu pravilno obezbeđeni.

NE KORISTITE ovo unapređeno sedišta za dete bez mekih dodataka.

Meke dodatke treba zameniti samo onima koje je preporučio proizvođač, zato što meki dodaci čine integralni deo performansi sedišta za dete.

Proverite da li se ovo unapređeno sedišta za dete može pravilno montirati u vaše vozilo pre nego što ga kupite.

NIJEDNO unapređeno sedišta za dete ne garantuje potpunu zaštitu od povrede u slučaju nezgode. Međutim, pravilna upotreba ovog unapređenog sedišta za dete smanjuje rizik od ozbiljne povrede ili smrti za vaše dete.

NE montirajte ovo unapređeno sedišta za dete ako niste pratili uputstva u ovom priručniku, u suprotnom postoji rizik od ozbiljne povrede ili smrti vašeg deteta.

NE koristite ovo unapređeno sedišta za dete ako ima oštećene delove ili ako neki delovi nedostaju.

NE oblačite svoje dete u (pre)veliku odeću, zato što to može dovesti do toga da dete ne bude pravilno i bezbedno vezano pomoću traka pojasa preko ramena i traka za prepone između nogu.

Uputstvo treba da se čuva na sedištu za unapređeno sedišta za dete tokom čitavog njegovog veka upotrebe.

Obratite pažnju takođe na uputstva i upozorenja u priručniku za korišćenje proizvođača vozila.

Informacije o proizvodu

Za montiranje sa ISOFIX sistemom

1. Ovo je „i-Size“ unapređeni sistem sedišta za dete. Odobren je u skladu s Regulativom UN br.129, za upotrebu na i-Size kompatibilnim mestima za sedenje u vozilu, kao što je to označeno u uputstvu za upotrebu vozila od strane proizvođača vozila.
2. U slučaju sumnji, posavetujte se s proizvođačem ili prodavcem unapređenog sistema sedišta za dete.

Za montiranje s pojasmom za vezivanje u tri tačke

Za montiranje s pojasmom za vezivanje u tri tačke + ISOFIX sistemom

1. Ovo je „i-Size“ unapređeni sistem buster sedišta za dete. Odobreno je u skladu s Regulativom UN br.129, za upotrebu na „i-Size“ mestima za sedenje“, kao što je to označeno u uputstvu za upotrebu vozila od strane proizvođača vozila.

2. U slučaju sumnji, posavetujte se s proizvođačem ili prodavcem unapređenog sistema sedišta za dete.

Materijali Plastika, metal, tkanina

Br. patenta Patenti na čekanju

Saveti pri instalaciji

Pogledajte slike **1** - **4**

Upotreba zaštite od bočnog udara

Pogledajte slike **5** - **6**

! Unapređeno sedište za dete se isporučuje sa zaštitom od bočnog udara koja se može ukloniti. Umetnite zaštitu od bočnog udara na stranu koja je najbliža vratima. Montiranje prikazano u **5**.

6 Pritisnite dugme za otpuštanje da biste uklonili zaštitu od bočnog udara.

Podešavanje visine za potporu za glavu i pojaseve preko ramena

Pogledajte slike **7** - **10**

! Podesite potporu za glavu i proverite da li je traka pojaseva preko ramena na pravilnoj visini u skladu sa **7** **8** **9** **10**.

! Kada se koristi okrenuto unazad, visina traka pojaseva preko ramena mora biti jednaka s vrhom ramena deteta ili tik ispod njih. **7**

! Kada se koristi okrenuto unapred, visina traka pojaseva preko ramena mora biti jednaka s vrhom ramena deteta ili tik ispod njih. **8**

! Kada se koristi u režimu buster sedišta, vođice za pojas preko ramena moraju biti u ravni s ramenima deteta. **9**

! Pritisnite ručicu za podešavanje potpore za glavu i povucite nagore ili gurnite nadole potporu za glavu sve dok se ne klikne u jednom od 7 položaja, prikazano kao **10**.

Podešavanje nagiba

Pogledajte slike **11** - **13**

! Pritisnite dugme za podešavanje nagiba, da biste podesili unapređeno sedište za dete u željeni položaj. **11** **12** **13**

! Postoji 6 položaja naslona koji se mogu koristiti i za režim okrenut unazad i za režim okrenut napred. **12** **13**

Instalacija baze

Pogledajte slike **14** - **20**

! Umetnite ISOFIX vođice koje će vam pomoći pri instalaciji. **14**

! Pritisnite ISOFIX dugme za podešavanje da biste izvukli ISOFIX. **16** -1& **16** -2

! Uverite se da su ISOFIX konektori bezbedno pričvršćeni u njihove ISOFIX tačke vezivanja. Boje indikatora na oba ISOFIX konektora moraju biti potpuno zelene. **17** -1

! Ponovo pritisnite ISOFIX dugmad za podešavanje dok gurate sedište unazad, sve dok ne dođe u kontakt s naslonom sedišta vozila.

! Posle kačenja ISOFIX-a, povucite potpornu nogu nadole do poda. Kada indikator potporne noge pokazuje zeleno, to znači da je potporna noga pravilno montirana. **17** -2

! Stisnite dugme za otpuštanje

potporne noge i zatim podesite dužinu noge. **17** -3

! Uvek proverite da li je potporna noga u direktnom kontaktu s podom u zaključanom položaju, čak i kada dete ne sedi u sedištu.

Uklanjanje baze

! Da biste uklonili iz vozila, pritisnite ISOFIX dugme za podešavanje i povucite bazu unazad sa sedišta. Zatim pritisnite i otpustite konektore sa ISOFIX-a vozila. **19**

! Da biste sprečili oštećenje tokom transporta, pritisnite ISOFIX dugme za podešavanje **20** -1 i potpuno sklopite konektor. **20** -2

Korišćenje u režimu okrenutom unazad

(Visina deteta 40 cm – 105 cm / težina deteta ≤ 19 kg / od uzrasta bebe – 4 godine starosti)

Pogledajte slike **21** - **30**

! Montirajte sedište za dete na zadnje sedište u vozilu, a zatim stavite dete u unapređeno sedište za dete.

! Pomerite Pametno zaključavanje nalevo kada se unapređeno sedište za dete koristi u režimu

okrenutom unazad. **21**

! Pritisnite ISOFIX dugme za podešavanje i povucite bazu unazad na sedištu u vozilu. **22**

! Pritisnite dugme za rotiranje za lakše stavljanje deteta u sedišta/ vađenje deteta iz sedišta, a zatim rotirajte sedišta u položaj okrenut unazad. **23 24**

! Pritisnite dugme za rotiranje sa obe strane da biste rotirali unapređeno sedišta za dete.

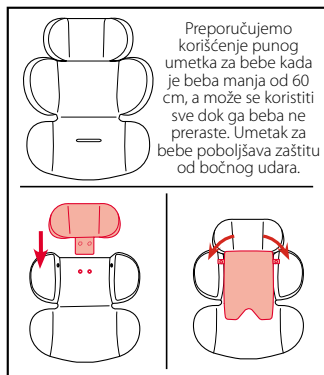
Za obezbeđivanje deteta

! Da biste produžili pojaseve trake preko ramena, pritisnite dugme za podešavanje trake dok izvlačite trake da biste ih olabavili. **25**

! Otkopčajte pojas pritiskom na crveno dugme.

! Fiksirajte kopčice sa obe strane sedišta označeno kao **27**, da biste olakšali stavljanje deteta u sedišta u režimu okrenutom unazad.

Upotreba umetka za bebe



! Stavite dete u unapređeno sedišta za dete i provucite obe ruke kroz pojaseve.

! Aktivirajte kopčicu. Pogledajte **28**

! Povucite nadole podesivu traku i podesite je na pravilnu dužinu tako da je vaše dete čvrsto vezano. **29**

! Uvek vežite dete pojasevima i pravilno ih pritegnite tako da ne budu olabavljeni.

! Uverite se da je prostor između tela vašeg deteta i pojaseva preko ramena približno debljine jednog dlana.

! Uvek proverite da li je sedišta u zaključanom položaju (okrenuto unazad/unapred) čak i kada dete ne sedi u sedištu.

Korišćenje u režimu okrenutom unapred

(Visina deteta 76 cm – 105 cm / težina deteta ≤ 19 kg / starosti 15 meseci – približno 4 godine)

Pogledajte slike **31 - 38**

! Montirajte sedišta za dete na zadnje sedišta u vozilu, a zatim stavite dete u unapređeno sedišta za dete.

! Pomerite Pametno zaključavanje nadesno kada se unapređeno sedišta za dete koristi u režimu okrenutom unapred. **31**

! Pritisnite dugme za rotiranje za lakše stavljanje deteta u sedišta/ vađenje deteta iz sedišta, a zatim rotirajte sedišta u položaj okrenut unapred. **32 33**

! Pritisnite dugme za rotiranje sa obe strane da biste rotirali unapređeno sedišta za dete.

Za obezbeđivanje deteta

! Da biste produžili pojaseve trake preko ramena, pritisnite dugme za podešavanje trake dok izvlačite trake da biste ih olabavili. **34**

! Otkopčajte kopčicu pojaseva pritiskom na crveno dugme. **35**

! Uklonite umetak za bebe kada je sedišta okrenuto unapred. **36**

! Postavite jezičke kopčice na spoljnu stranu unapređenog sedišta za dete tako da jezičci budu na svom mestu.

! Stavite dete u unapređeno sedišta za dete i provucite obe ruke kroz pojaseve.

! Aktivirajte kopčicu.

! Povucite nadole podesivu traku i podesite je na pravilnu dužinu tako da je vaše dete čvrsto vezano. **37**

! Uvek proverite da li je sedišta u zaključanom položaju (okrenuto unazad/unapred) čak i kada dete ne sedi u sedištu.

! ISOFIX konektori moraju biti povezani i zaključani u ISOFIX tačke vezivanja. **38 -1**

! Potporna noga mora biti pravilno instalirana i sa zelenim indikatorom. **38 -2**

! Uvek vežite dete pojasevima i pravilno ih pritegnite tako da ne budu olabavljeni.

! NEMOJTE koristiti režim okrenut unapred dok visina vašeg deteta ne bude najmanje 76 cm i dete ne napuni 15 meseci.

Upotreba u režimu bustera

(Visina deteta 100 cm – 125 cm / težina deteta ≤ 25 kg)

Pogledajte slike 39 - 46

- ! Montirajte sedišta za dete na zadnje sedišta u vozilu, a zatim stavite dete u unapređeno sedišta za dete.
- ! Pomerite Pametno zaključavanje nadesno kada se unapređeno sedišta za dete koristi u režimu bustera. 39

Za obezbeđivanje deteta

- ! Otkopčajte kopču pojaseva pritiskom na crveno dugme. 40
- ! Uklonite umetak za bebe kada je sedišta u režimu bustera.
- ! Odložite traku za prepone, traku preko ramena s pokrivačima u pregrade za odlaganje. 42 44
- ! Podesite naslon za glavu tako da donji deo naslona za glavu bude u ravni s ramenima deteta.
- ! Vežite pojasom vozila.
- ! Pojas preko ramena mora da prolazi kroz vodiču za pojas preko ramena. 46 -2
- ! Boje indikatora na oba ISOFIX konektora za kačenje moraju biti potpuno zelene.
- ! Montirajte sa ISOFIX

konektorima u režimu bustera sedišta je opcionalno. Ako se koriste ISOFIX konektori, uverite se da su boje indikatora na oba konektora potpuno zelene kada su prikazani na tačke za vezivanje. 46 -1

- ! Potporna noga mora biti pravilno instalirana i sa zelenim indikatorom. 46 -3
- ! Unapređeno sedišta za dete nije moguće koristiti ako je kopča za sigurnosni pojas vozila (ženski kraj kopče) preduga da bi se unapređeno sedišta za dete čvrsto vezalo. 46 -4

Uklanjanje mekih dodataka

Pogledajte slike 47 - 52

Pritisnite crveno dugme da biste deaktivirali kopču. 47

Pratite korake 48 – 52 da biste uklonili meke dodatke.

Da biste ponovo prikazali meke dodatke, ponovite gornje korake u obrnutom redosledu.

Briga i održavanje

Pokrivač sedišta i unutrašnju postavu perite u hladnoj vodi na temperaturi manjoj od 30 °C.

Ne peglajte meke dodatke.

Ne koristite izbeljivač i nemojte hemijski čistiti meke dodatke.

Ne koristite nerazređene deterdžente, benzin ili drugi organski rastvarač za pranje sedišta za dete. To može dovesti do oštećenja sedišta za dete.

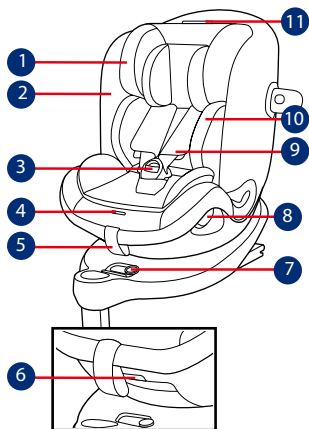
Ne uvrćite pokrivač sedišta i unutrašnju postavu da biste ih osušili. To može dovesti do nabora na pokrivaču sedišta i unutrašnjoj postavi.

Pokrivač sedišta i unutrašnju postavu okačite da se suše u senci.

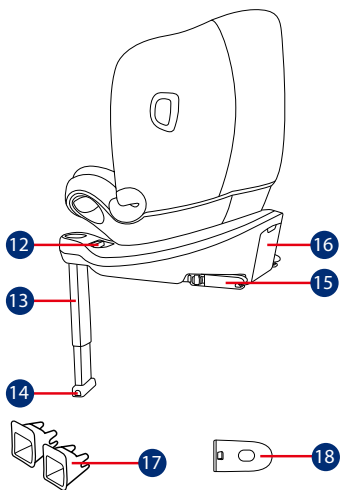
Uklonite sedišta za dete sa sedišta u vozilu ako se duže vreme neće koristiti. Držite sedišta za dete na hladnom i suvom mestu i dalje od dece.

Pazite da oštetite konektore pojaseva tokom čišćenja.

gracobaby.eu
www.gracobaby.pl



- 1 Opora za glavo
- 2 Sedežna blazina
- 3 Sponka
- 4 Gumb za prilagoditev varnostnega pasu
- 5 Prilagoditveni trak
- 6 Gumb za nastavev naklona
- 7 Vrtljivi zaklepni gumb
- 8 Vrtljivi gumb
- 9 Prevlaki za ramenska pasova
- 10 Vložek za dojenčke



- 11 Ročica za nastavev opore za glavo
- 12 Gumb za nastavev ISOFIX
- 13 Podporna noga
- 14 Gumb za nastavev podporne noge
- 15 Priključek ISOFIX
- 16 Shramba za navodila za uporabo
- 17 Vodila za pritrditev ISOFIX
- 18 Stranska zaščita pred trki
*uporabljajte le na mestih ob vratih

SL POMEMBNO

PRED UPORABO SKRBNO PREBERITE NAVODILA IN JIH SHRANITE ZA POZNEJŠO UPORABO. Z NEUPOŠTEVANJEM TEH NAVODIL LAHKO OGROZITE VARNOST VAŠEGA OTROKA.

⚠️ OPOZORILO:
POMEMBNO, SHRANITE ZA KASNEJŠO UPORABO: NATANČNO PREBERITE!

Poskrbite, da so togi elementi in plastični deli ojačanega sistema za zadrževanje otrok postavljeni in nameščeni tako, da ne obstaja možnost, da se ujamejo zaradi premičnega sedeža ali med vrata vozila.

Vzratno obrnjenih ojačanih sistemov za zadrževanje otrok NE uporabljajte na sedežnih mestih, ki so opremljena z aktivno čelno zračno blazino.

Če želite uporabljati ta ojačan sistem za zadrževanje otrok v skladu z Uredbo ZN št. 129/03, mora vaš otrok izpolnjevati naslednje zahteve.

Način usmerjenosti nazaj: višina otroka: 40 cm–105 cm/najv. 19 kg;

Način usmerjenosti naprej: višina otroka: 76 cm–105 cm/najv. 19 kg;

Način jahača: Višina otroka 100cm–125cm/ največje 25kg;

POMEMBNO – OTROKA NE OBRAČAJTE NAPREJ DOKLER NE

DOPOLNI 15 MESECEV (glejte navodila).

Zaradi predalov za shranjevanje ali omejenega prostora do strehe vozila ojačan sistem za zadrževanje otrok morda ne bo ustrezal vsem odobrenim vozilom. Če ste v dvomih, se obrnite na svojega prodajalca ali nas.

Vsi trakovi, s katerimi je ojačan sistem za zadrževanje otrok pritrjen v vozilo, se morajo tesno prilegati, podporna noga se mora dotikati tal vozila, pasovi, s katerimi je pripet otrok, morajo biti prilagojeni otrokovemu telesu in ne smejo biti zvit.

Ko otroka namestite in pripnete v sedež, poskrbite, da je varnostni pas pravilno nameščen. Prepričajte se, da so medenični pasovi nameščeni dovolj nizko, da je medenica pravilno podprta.

Ojačan sistem za zadrževanje otrok morate zamenjati, kadar je bil izpostavljen močnim obremenitvam ob nezgodi. Nesreča lahko povzroči poškodbe, ki jih ne vidite.

Spreminjanje naprave na kakršen koli način brez izrecnega dovoljenja strokovnjakov ali proizvajalca je strogo prepovedano. Prosimo, da natančno upoštevate proizvajalčeva navodila za namestitev.

Ojačanega sistema za zadrževanje otrok ne izpostavljajte sončni

svetlobi, ker se lahko preveč segreje in postane prevroč za otrokovo kožo. Vedno z roko preverite temperaturo ojačanega sistema za zadrževanje otrok, preden vanj namestite otroka.

Otroka NE pustite v ojačanem sistemu za zadrževanje otrok brez nadzora.

Prtljago ali druge predmete, ki bi v primeru trčenja lahko povzročili telesne poškodbe, morate ustrezno zavarovati.

Ojačanega sistema za zadrževanje otrok NE uporabljajte brez mehkih delov.

Uporabljajte samo mehke dele, ki jih je priporočil proizvajalec, saj so sestavni del zmogljivosti sistema za zadrževanje otrok.

Pred nakupom preverite, če je ta ojačan sistem za zadrževanje otrok mogoče ustrezno namestiti v vozilo.

Ojačani sistem za zadrževanje otrok NE zagotavlja popolne zaščite pred poškodbami v primeru nezgode. Vendar se s pravilno uporabo ojačanega sistema za zadrževanje otrok zmanjša nevarnost hudih poškodb ali smrti otroka.

Ojačanega sistema za zadrževanje otrok NE nameščajte brez upoštevanja teh navodil, sicer lahko resno ogrozite otrokovo varnost, kar lahko povzroči hude poškodbe ali smrt.

Ojačanega sistema za zadrževanje otrok NE uporabljajte, če kateri del manjka ali je poškodovan.

Otrok naj NE nosi (pre)velikih oblačil, sicer ga trakovi ramenskega varnostnega pasu in mednožni trak morda ne bodo pravilno in varno držali.

Navodila morate obdržati na izboljšanemu sistemu za zadrževanje otrok do konca njegove življenjske dobe.

Prav tako bodite pozorni na navodila in opozorila v priločniku proizvajalca vozila.

Informacije o izdelku

Za namestitev s sistemom ISOFIX

1. To je ojačan sistem za zadrževanje otrok i-Size. V skladu z Uredbo ZN št. 129 je homologiran za uporabo na sedežih vozila, za katera proizvajalec vozila v navodilih za uporabo vozila navaja, da so združljivi s standardom i-Size.

2. Če ste v dvomih, se obrnite na proizvajalca ali prodajalca ojačanega sistema za zadrževanje otrok.

Za namestitev s 3-točkovnim pasom

Za namestitev s 3-točkovnim pasom + sistemom ISOFIX

1. To je ojačan sistem za zadrževanje

otrok i-Size za jahače. Odobren je v skladu z Uredbo ZN št. 129 za primarno uporabo na »sedežih i-Size«, kot to označijo proizvajalci vozila v uporabniškem priločniku vozila.

2. Če ste v dvomih, se obrnite na proizvajalca ali prodajalca ojačanega sistema za zadrževanje otrok.

Materiali Plastika, kovina, tkanina
Št. patenta V postopku pridobitve patenta

Opozorila glede namestitve

Glejte slike 1–4

Uporabljajte stransko zaščito pred udarci

Glejte slike 5–6

! Ojačan sistem za zadrževanje otrok je dobavljen s snemljivo stransko zaščito pred udarci. Stransko zaščito pred udarci vstavite na strani, ki je najbližja vratom. Namestitev prikazana na sliki 5.

6 Pritisnite gumb za sprostitve, da odstranite zaščito pred bočnimi udarci.

Nastavljanje višine opore za glavo in ramenskih varnostnih pasov

Glejte slike 7–10

! Nastavite višino opore za glavo in preverite, ali sta ramenska varnostna pasova na pravilni višini, kot je prikazano na 7 8 9 10.

! Pri uporabi načina usmerjenosti nazaj mora biti višina za ramenski varnostni pas poravnana z ali tik pod rameni otroka. 7

! Kadar sistem uporabljate v načinu usmerjenosti naprej, mora biti ramenski pas poravnani ali tik nad vrhom otrokovih ramen. 8

! Pri uporabi načina za jahača morajo biti vodila za ramenski pas poravnana z rameni otroka. 9

! Pritisnite ročico za nastavitve opore za glavo in povlecite navzgor ali potisnite navzdol oporo za glavo, dokler se ne zaskoči v enem izmed 7 položajev, kot je prikazano na sliki 10.

Nastavitev naklona

Glejte slike **11**–**13**

- ! Pritisnite gumb za nastavitev naklona, da sistem za zadrževanje otrok nastavite v zeleni položaj. **11** **12** **13**
- ! Za način usmerjenosti nazaj in način usmerjenosti naprej lahko uporabite 6 položajev naklona. **12** **13**

Namestitev podnožja

Glejte slike **14**–**20**

- ! Vstavite vodila ISOFIX za pomoč pri namestitvi. **14**
- ! Pritisnite gumb za nastavitev ISOFIX, če želite ISOFIX iztegniti. **16** -1 in **16** -2
- ! Zagotovite, da sta oba priključka ISOFIX dobro pritrjena v pritrilni točki ISOFIX. Barve na obeh priključkih ISOFIX morajo biti popolnoma zelene. **17** -1
- ! Medtem ko sedež potiskate nazaj, pritisnite gumba za nastavitev ISOFIX, dokler sedež ne pride v stik s naslonjalom sedeža vozila.
- ! Ko ISOFIX pritrдите, podporno nogo povlecite do tal. Če indikator podporne noge sveti zeleno, je noga nameščena

pravilno. **17** -2

- ! Pritisnite gumb za sprostitve podporne noge, nato pa prilagodite dolžino podporne noge. **17** -3
- ! Vedno poskrbite, da je podporna noga v neposrednem stiku s tlemi in ni v zaklenjenem položaju, tudi ko otrok ni v njem.

Odstranjevanje podnožja

- ! Za odstranjevanje iz vozila pritisnite gumb za nastavitev priključka ISOFIX in podnožje povlecite s sedeža. Nato pritisnite in povlecite priključke stran od priključka ISOFIX v vozilu. **19**
- ! Za preprečevanje poškodb med prevozom pritisnite gumb za nastavitev ISOFIX **20** -1 in popolnoma zložite priključek. **20** -2

Uporaba v načinu usmerjenosti nazaj (višina otroka 40 cm–105 cm/teža otroka ≤ 19 kg/dojenček–pribl. 4. leta)

Glejte slike **21**–**30**

- ! Ojačan sistem za zadrževanje otrok namestite na zadnji sedež

vozila, nato vanj namestite otroka.

- ! Če ojačani sistem za zadrževanje otroka uporabljate v načinu usmerjenosti nazaj, premaknite Smart zaklep na levo. **21**
- ! Pritisnite gumb za nastavitev priključka ISOFIX in podnožje povlecite s sedeža vozila. **22**
- ! Pritisnite vrtljivi gumb, da ga zavrtite in s strani otroka lažje položite v sedež/ga vzamete ven, nato sedež zavrtite v položaj usmerjenosti nazaj. **23** **24**
- ! Vrtljivi gumb pritisnite na obeh straneh, da zavrtite ojačani sistem za zadrževanje otrok.

Pripenjanje otroka

- ! Ramenska varnostna pasova podaljšate s pritiskom na gumb za prilagoditev varnostnega pasu, hkrati pa izvlečete ramenska pasova, da ju sprostite. **25**
- ! S pritiskom na rdeči gumb odprite sponko.
- ! Sponki pritrđite na obe strani sedeža, kot je prikazano **27**, da si olajšajte nameščanje otroka v nasprotni smeri vožnje.

Uporaba vložka za dojenčke



- ! Posedite otroka v ojačani sistem za zadrževanje otroka in namestite pasova čez ramena.
- ! Zapnite pasova. Glejte sliko **28**
- ! Prilagoditveni trak povlecite navzdol in prilagodite njegovo dolžino, da zagotovite, da je otrok ustrezno zavarovan. **29**
- ! Otrok naj bo vedno varno pripet s pasom, tako da odstranite ohlapnost pasov.
- ! Prepričajte se, da je med otrokom in ramenskima varnostnima pasovoma prostora za približno debelino ene roke.
- ! Vedno se prepričajte, da je sedež v zaklenjenem položaju (obrnjen nazaj/obrnjen naprej), tudi če otrok ni v njem.

Uporaba v načinu usmerjenosti naprej

(višina otroka 76 cm–105 cm/teža otroka ≤ 19 kg/15 mesecev–pribl. 4 leta)

Glejte slike **31–38**

- ! Ojačan sistem za zadrževanje otrok namestite na zadnji sedež vozila, nato vanj namestite otroka.
- ! Če ojačani sistem za zadrževanje otroka uporabljate v načinu usmerjenosti naprej, premaknite Smart zaklep na desno. **31**
- ! Pritisnite vrtljivi gumb, da ga zavrtite in s strani otroka lažje položite v sedež/ga vzamete ven, nato sedež zavrtite v položaj usmerjenosti naprej. **32 33**
- ! Vrtljivi gumb pritisnite na obeh straneh, da zavrtite ojačani sistem za zadrževanje otrok.

Pripenjanje otroka

- ! Ramenska varnostna pasova podaljšate s pritiskom na gumb za prilagoditev varnostnega pasu, hkrati pa izvlečete ramenska pasova, da ju sprostite. **34**
- ! S pritiskom rdečega gumba

odpnete sponko varnostnih pasov. **35**

- ! V načinu usmerjenosti odstranite vložek za dojenčke. **36**
- ! Jezička zaponke namestite na zunanjo stran ojačanega sistema za zadrževanje otrok, da sta jezička ustrezno fiksirana.
- ! Posedite otroka v ojačani sistem za zadrževanje otroka in namestite pasova čez ramena.
- ! Zapnite pasova.
- ! Prilagoditveni trak povlecite navzdol in prilagodite njegovo dolžino, da zagotovite, da je otrok ustrezno zavarovan. **37**
- ! Vedno se prepričajte, da je sedež v zaklenjenem položaju (obrnjen nazaj/obrnjen naprej), tudi če otrok ni v njem.
- ! Priključka ISOFIX morata biti pritrjena in fiksirana na pritrilnih točkah ISOFIX. **38**-1
- ! Podporna noga mora biti pravilno nameščena in indikator mora svetiti zeleno. **38**-2
- ! Otrok naj bo vedno varno pripet s pasom, tako da odstranite ohlapnost pasov.
- ! NE uporabljajte načina usmerjenosti naprej, dokler otrok ni velik vsaj 76 cm IN star 15 mesecev.

Uporaba v načinu jahača (višina otroka

100 cm–125 cm/teža otroka ≤ 25 kg)

Glejte slike **39–46**

- ! Ojačan sistem za zadrževanje otrok namestite na zadnji sedež vozila, nato vanj namestite otroka.
- ! Če ojačani sistem za zadrževanje otroka uporabljate v načinu jahača, premaknite Smart zaklep na desno. **39**

Pripenjanje otroka

- ! S pritiskom rdečega gumba odpnete sponko varnostnih pasov. **40**
- ! V načinu jahača odstranite vložek za dojenčke.
- ! Mednožni pas, ramenski trak s prevlekami zataknite v predale. **42 44**
- ! Naslon za glavo nastavite tako, da je spodnji del naslona za glavo poravnan z otrokovimi rameni.
- ! Pripnite ga z varnostnim pasom vozila.
- ! Ramenski pas mora biti speljan skozi vodilo za ramenski pas. **46**-2

! Barve indikatorjev na obeh prikazovalnikih priključkov ISOFIX morajo biti popolnoma zelene.

- ! Namestitev s priključkoma ISOFIX v načinu jahača je izbirna. Če uporabite priključka ISOFIX, se prepričajte, da sta ob pritrditvi v sidrne točke indikatorja na obeh priključkih obarvana popolnoma zeleno. **46**-1
- ! Podporna noga mora biti pravilno nameščena in indikator mora svetiti zeleno. **46**-3
- ! Ojačanega sistema za zadrževanje otrok ni mogoče uporabljati, če je zaponka varnostnega pasu v vozilu (ženski del) predolga, da bi omogočala varno namestitev ojačanega sistema za zadrževanje otrok. **46**-4

Odstranjevanje mehkih delov

Glejte slike **47–52**

Pritisnite rdeči gumb, da odpnete sponko. **47**

Sledite korakom **48–52**, da odstranite mehke dele.

Mehke dele namestite nazaj, tako da zgornje korake ponovite v obratnem vrstnem redu.

Nega in vzdrževanje

Sedežno prevleko in notranje podloge operite s hladno vodo pri temperaturi pod 30 °C.

Mehkih delov ne likajte.

Mehkih delov ne belite in jih ne čistite s kemičnim čiščenjem.

Za pranje sistema za zadrževanje otrok ne uporabljajte nerazredčenih detergentov, bencina ali drugega organskega topila. S tem lahko poškodujete sistem za zadrževanje otrok.

Sedežne prevleke in notranje podloge ne sušite z ožemanjem. Lahko bi ostala zmečkana.

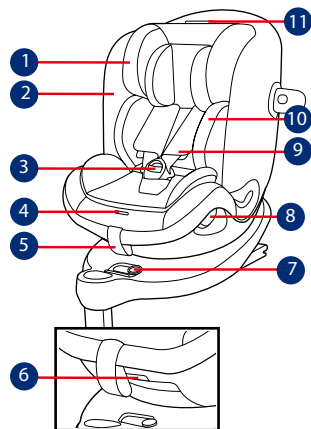
Sedežno prevleko in notranje blazinjenje posušite tako, da ju obesite na senčnem mestu.

Če sistema za zadrževanje otrok daljša časa ne nameravate uporabljati, ga odstranite s sedeža vozila. Sistem za zadrževanje otrok shranite v hladnem in suhem prostoru, kamor otrok nima dostopa.

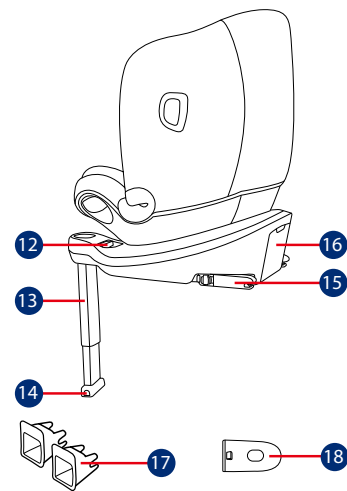
Med čiščenjem ne spreminjajte priključkov za varnostni pas.

gracobaby.eu

www.gracobaby.pl



- 1 Подголовник
- 2 Подкладка сиденья
- 3 Пряжка
- 4 Кнопка регулировки ремней
- 5 Регулировочный ремень
- 6 Кнопка регулировки наклона
- 7 Фиксатор колес не задействован
- 8 Кнопка поворота
- 9 Накладки для плечевых ремней
- 10 Вкладыш для младенцев



- 11 Рычаг для регулировки подголовника
- 12 Кнопка регулятора ISOFIX
- 13 Опорная ножка
- 14 Кнопка регулировки опорной ножки
- 15 Крепление ISOFIX
- 16 Отсек для хранения инструкции по эксплуатации
- 17 Направляющие креплений ISOFIX
- 18 Защита от боковых ударов

*использование со стороны двери является обязательным

RU ВАЖНО!

ВНИМАТЕЛЬНО ПРОЧИТЕ ДАННЫЕ ИНСТРУКЦИИ ПЕРЕД НАЧАЛОМ ИСПОЛЬЗОВАНИЯ И СОХРАНИТЕ ИХ НА БУДУЩЕЕ. НЕСОБЛЮДЕНИЕ ИНСТРУКЦИЙ МОЖЕТ ПОСТАВИТЬ ПОД УГРОЗУ БЕЗОПАСНОСТЬ ВАШЕГО РЕБЕНКА.

**▲ВНИМАНИЕ!
ВАЖНО! СОХРАНИТЕ
НАСТОЯЩЕЕ РУКОВОДСТВО ДЛЯ
ИСПОЛЬЗОВАНИЯ В БУДУЩЕМ.
ПРОЧИТЕ ВНИМАТЕЛЬНО!**

При установке жесткие элементы конструкции и пластмассовые детали улучшенного детского автокресла должны располагаться так, чтобы исключить риск их зажатия подвижным сиденьем или дверью автомобиля.

ЗАПРЕЩАЕТСЯ использовать улучшенное детское автокресло в положении лицом против направления движения на сиденьях, оснащенных активными фронтальными подушками безопасности.

Для использования улучшенного детского автокресла в соответствии с Правилom ООН № 129/03 ребенок должен соответствовать указанным ниже требованиям.

Режим лицом против направления

движения: рост ребенка 40–105 см/
макс. вес: 19 кг;

Режим лицом по направлению движения: рост ребенка 76–105 см/
макс. вес: 19 кг;

Режим бустера: рост ребенка
100–125 см/ макс. вес: 25 кг;

**ВАЖНО! НЕ УСТАНАВЛИВАЙТЕ
АВТОКРЕСЛО В НАПРАВЛЕНИИ
ДВИЖЕНИЯ, ЕСЛИ РЕБЕНКУ НЕ
ИСПОЛНИЛОСЬ 15 МЕСЯЦЕВ (См.
инструкции).**

Улучшенное детское автокресло подходит для установки не во всех разрешенных автомобилях. Это связано с расположением отсеков для хранения или ограниченным пространством до крыши автомобиля. В случае появления сомнений обращайтесь к своему продавцу или к нам.

Все ремни, удерживающие улучшенное детское автокресло в автомобиле, должны быть плотно натянуты. Опорная ножка должна упираться в пол автомобиля. Любые ремни, удерживающие ребенка, должны быть отрегулированы по размеру тела ребенка. Ремни не должны быть перекручены.

Поместив ребенка в улучшенное детское автокресло, следует правильно пристегнуть его ремнями безопасности. Убедитесь, что поясная часть ремня

расположена внизу и плотно фиксирует область таза.

Данное улучшенное детское автокресло следует заменить, если оно подверглось высокому нагрузкам во время аварии. При аварии в данном изделии могут образоваться скрытые повреждения.

Помните об опасности внесения любых изменений и дополнений в конструкцию данного изделия без разрешения компетентного органа, а также об опасности несоблюдения инструкций по установке, предоставленных производителем улучшенного детского автокресла.

Не допускайте попадания на улучшенное детское автокресло прямых солнечных лучей, т.к. оно может нагреться и вызвать дискомфорт при контакте с кожей ребенка. Перед тем, как поместить ребенка в улучшенное детское автокресло, всегда проверяйте на ощупь температуру ее поверхности.

КАТЕГОРИЧЕСКИ ЗАПРЕЩАЕТСЯ оставлять ребенка в улучшенном детском автокресле без присмотра.

Любой багаж и другие предметы должны быть надежно закреплены, так как они могут причинить травмы при аварии.

ЗАПРЕЩАЕТСЯ ИСПОЛЬЗОВАТЬ улучшенное детское автокресло без тканевой обивки.

Заменять тканевую обивку допускается только обивкой, рекомендованной производителем, т.к. тканевая обивка является неотъемлемой частью конструкции данного детского удерживающего устройства.

Перед покупкой данного улучшенного детского автокресла следует удостовериться, что его можно правильно установить в вашем автомобиле.

Ни одно улучшенное детское автокресло **НЕ** гарантирует полную защиту от травм в случае аварии. Однако правильное использование данного улучшенного детского автокресла уменьшает риск причинения тяжелых травм или смерти ребенка.

ЗАПРЕЩАЕТСЯ устанавливать данное улучшенное детское автокресло с нарушением инструкций, изложенных в настоящем руководстве. Это создает значительный риск причинения травм или смерти ребенка.

ЗАПРЕЩАЕТСЯ использовать улучшенное детское автокресло, у которого имеются повреждения или отсутствуют детали.

ЗАПРЕЩАЕТСЯ одевать ребенка в одежду большого размера, так как при этом невозможно правильно и надежно пристегнуть ребенка ремнями за плечи и между ног.

Инструкции должны храниться в улучшенном детском автокресле в течение всего срока эксплуатации.

Обращайте внимание на инструкции и предупреждения, приведенные в руководстве производителя автомобиля.

Информация об изделии

Установка с системой ISOFIX

1. Это улучшенное детское удерживающее устройство типа i-Size. Оно утверждено Правилком ООН № 129 для установки на автомобильных сиденьях, совместимых со стандартом "i-Size", согласно информации производителей автомобилей, которая содержится в руководстве к автомобилям.

2. В случае появления сомнений обращайтесь к производителю или продавцу улучшенного детского удерживающего устройства.

Установка с помощью 3-точечного ремня безопасности
Установка с помощью 3-точечного ремня безопасности и системы ISOFIX

1. Это улучшенное детское удерживающее устройство типа i-Size с сиденьем-бустером. Оно утверждено Правилком ООН № 129 ООН для установки на автомобильных сиденьях типа i-Size согласно информации производителей автомобилей, которая содержится в руководстве к автомобилям.

2. В случае появления сомнений обращайтесь к производителю или продавцу улучшенного детского удерживающего устройства.

Материалы Пластик, металл, ткань

Номер патента Патенты оформляются

Вопросы установки

См. рисунки 1–4

Использование бокового защитного экрана

См. рисунки 5–6

! Улучшенное детское автокресло поставляется со съемным боковым защитным модулем. Боковой защитный модуль устанавливается

как можно ближе к двери. Установка показана в 5.

6 Нажмите на кнопку фиксатора, чтобы снять боковой защитный экран.

Регулировка высоты

подголовника и плечевых ремней

См. рисунки 7–10

! Отрегулируйте подголовник и проверьте высоту плечевых ремней по рис. 7 8 9 10.

! В режиме лицом против направления движения плечевые ремни должны располагаться на уровне или ниже плеч ребенка. 7

! В режиме лицом по направлению движения плечевые ремни должны располагаться на уровне или немного выше плеч ребенка. 8

! В режиме сиденья-бустера плечевые направляющие для ремня безопасности должны располагаться на уровне плеч ребенка. 9

! Нажмите на рычаг для регулировки подголовника

и при этом потяните подголовник вверх или вниз так, чтобы он защелкнулся в одном из 7 положений, как показано на рис. 10.

Регулировка наклона

См. рисунки 11–13

! Нажмите на кнопку регулировки наклона и установите улучшенное детское автокресло в нужное положение. 11 12 13

! В режиме лицом по направлению движения и против направления движения предусмотрено 6 углов наклона. 12 13

Установка основания

См. рисунки 14–20

! Вставьте направляющие ISOFIX, которые помогут вам выполнить установку. 14

! Нажмите на кнопку регулятора ISOFIX, чтобы выдвинуть фиксаторы ISOFIX. 16 -1 и 16 -2

! Убедитесь в том, что оба фиксатора ISOFIX надежно закреплены в

точках крепления ISOFIX. Цвет индикаторов обоих фиксаторов ISOFIX должен быть зеленым. **17** -1

! Нажмите на кнопку регулятора ISOFIX еще раз и прижмите сиденье к спинке кресла автомобиля.

! Прикрепив фиксаторы ISOFIX, опустите опорную ножку до пола. Если индикатор опорной ножки зеленый, это значит, что опорная ножка установлена правильно. **17** -2

! Сожмите кнопку фиксатора опорной ножки и отрегулируйте длину ножки. **17** -3

! Обязательно проверяйте, чтобы опорная ножка всегда упиралась в пол автомобиля и была зафиксирована, независимо от нахождения в устройстве ребенка.

Снятие основания

! Чтобы извлечь из автомобиля, нажмите на кнопку регулятора ISOFIX и потяните основание от спинки сиденья автомобиля. Затем нажмите и высвободите фиксаторы из системы крепления ISOFIX автомобиля. **19**

! Во избежание повреждений во время движения нажмите

на кнопку регулятора ISOFIX **20** -1 и полностью сложите фиксатор. **20** -2

Установка в режиме лицом против направления движения (Рост ребенка: 40-105 см/ вес ребенка: ≤ 19 кг/ с младенчества примерно до 4 лет)

См. рисунок **21** -**30**

! Установите улучшенное детское автокресло на заднее сиденье автомобиля. Затем посадите ребенка в улучшенное детское автокресло.

! Установите крепежное приспособление Smart lock-off в левое положение, если улучшенное детское автокресло используется в режиме лицом против направления движения. **21**

! Нажмите на кнопку регулятора ISOFIX и потяните основание от спинки сиденья автомобиля. **22**

! Нажмите на кнопку поворота,

чтобы повернуть автокресло для удобства посадки/ высадки ребенка сбоку, а затем поверните автокресло в положение лицом против направления движения автомобиля. **23** **24**

! Нажмите на кнопку поворота с любой стороны, чтобы повернуть улучшенное детское автокресло.

Фиксация ребенка

! Чтобы увеличить длину плечевых ремней, нажмите на кнопку регулировки ремней и вытащите плечевой ремень на необходимую длину. **25**

! Нажмите на красную кнопку и расстегните ремень.

! Зафиксируйте пряжки с обеих сторон сиденья с отметками **27**, чтобы удобнее усадить ребенка в положении лицом против направления движения.

Использование вкладыша для младенцев



! Посадите ребенка в улучшенное детское автокресло и поместите обе руки под ремни.

! Застегните пряжку. См. рис. **28**

! Вытяните регулировочный ремень на нужную длину, чтобы хорошо зафиксировать ребенка. **29**

! Обязательно пристегивайте ребенка ремнями. Ремни должны быть хорошо натянуты, без провисания.

! Расстояние между ребенком и плечевыми ремнями должно примерно соответствовать толщине ладони.

! Обязательно проверяйте, чтобы сиденье всегда было

зафиксировано (в положении лицом по направлению движения или против направления движения), независимо от нахождения в нем ребенка.

Установка в режиме лицом по направлению движения

(Рост ребенка: 76–105 см/ вес ребенка:

≤ 19 кг/ 15 месяцев – примерно 4 года)

См. рисунки 31–38

- ! Установите улучшенное детское автокресло на заднее сиденье автомобиля. Затем посадите ребенка в улучшенное детское автокресло. **31**
- ! Установите крепежное приспособление Smart lock-off в правое положение, если улучшенное детское автокресло используется в режиме лицом по направлению движения. **31**
- ! Нажмите на кнопку поворота, чтобы повернуть автокресло для удобства посадки/ высадки ребенка сбоку, а

затем поверните автокресло в положение лицом по направлению движения автомобиля. **32 33**

- ! Нажмите на кнопку поворота с любой стороны, чтобы повернуть улучшенное детское автокресло.

Фиксация ребенка

- ! Чтобы увеличить длину плечевых ремней, нажмите на кнопку регулировки ремней и вытащите плечевой ремень на необходимую длину. **34**
- ! Нажмите на красную кнопку и расстегните пряжку ремней. **35**
- ! Извлеките вкладыш для младенцев в положении лицом по направлению движения. **36**
- ! Застежки пряжки следует поднести к внешней стороне улучшенного детского автокресла, чтобы их зафиксировать.
- ! Посадите ребенка в улучшенное детское автокресло и поместите обе руки под ремни.
- ! Застегните пряжку.
- ! Вытяните регулировочный ремень на нужную длину, чтобы хорошо зафиксировать

ребенка. **37**

- ! Обязательно проверяйте, чтобы сиденье всегда было зафиксировано (в положении лицом по направлению движения или против направления движения), независимо от нахождения в нем ребенка.
- ! Фиксаторы ISOFIX необходимо закрепить в точках крепления ISOFIX. **38** -1
- ! Правильно установите опорную ножку, чтобы индикатор стал зеленого цвета. **38** -2
- ! Обязательно пристегивайте ребенка ремнями. Ремни должны быть хорошо натянуты, без провисания.
- ! ЗАПРЕЩАЕТСЯ использование в положении лицом по направлению движения при перевозке детей ростом менее 76 см и возрастом менее 15 месяцев.

Использование в режиме сиденья-бустера

(рост ребенка 100–125 см/ вес ребенка ≤ 25 кг)

См. рисунки 39–46

! Установите улучшенное детское автокресло на заднее сиденье автомобиля. Затем посадите ребенка в улучшенное детское автокресло.

- ! Установите крепежное приспособление Smart lock-off в правое положение, если улучшенное детское автокресло используется в режиме бустера. **39**

Фиксация ребенка

- ! Нажмите на красную кнопку и расстегните пряжку ремней. **40**
- ! Извлеките вкладыш для младенцев в режиме сиденья-бустера.
- ! Уберите паховый ремень и плечевой ремень с накладками в соответствующие отсеки. **42**
- ! Отрегулируйте подголовник так, чтобы его нижняя часть находилась на уровне плеч ребенка.
- ! Пристегните штатным ремнем безопасности.
- ! Плечевая часть ремня безопасности должна проходить через плечевую направляющую для ремня безопасности. **46** -2

! Цвет индикаторов креплений обоих фиксаторов ISOFIX должен быть зеленым.

! Установка с помощью креплений ISOFIX в режиме бустера выполняется по желанию. Если используются крепления ISOFIX, то при соединении с анкерными фиксаторами цвет обоих индикаторов должен быть зеленым. **46** -1

! Правильно установите опорную ножку, чтобы индикатор стал зеленого цвета. **46** -3

! Улучшенное детское автокресло запрещается использовать, если пряжка ремня безопасности (гнездовая часть) слишком длинная и не позволяет надежно закрепить улучшенное детское автокресло. **46** -4

Снятие тканевых деталей

См. рисунки **47** - **52**

Нажмите красную кнопку, чтобы расстегнуть пряжку. **47**

Чтобы снять тканевые детали, выполните действия **48** - **52**.

Чтобы снова надеть тканевые

детали, выполните приведенные выше действия в обратном порядке.

Уход за изделием

Стирайте чехол сиденья и внутреннюю обивку в холодной воде при температуре не выше 30°C.

Запрещается гладить тканевые детали.

Запрещается отбеливать и подвергать тканевые детали химчистке.

Запрещается использовать неразбавленные моющие средства, бензин и другие органические растворители для чистки детского автокресла. Это может привести к повреждению детского автокресла.

Не выжимайте чехол и внутреннюю обивку сиденья при сушке. От этого на чехле и внутренней обивке сиденья могут появиться складки.

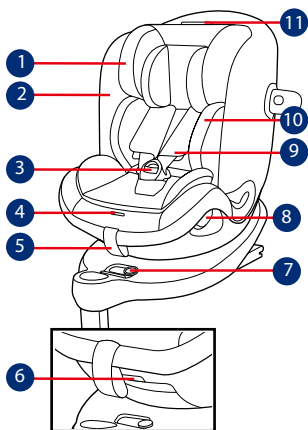
Вывешивайте чехол сиденья и внутреннюю обивку для просушки в тени.

Если детское автокресло не используется в течение длительного времени, извлекайте его из автомобиля. Поместите детское автокресло в прохладное сухое место, недоступное для детей.

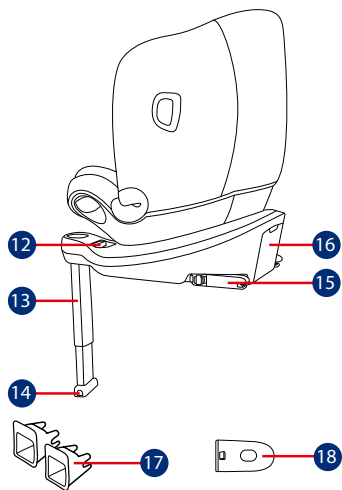
Не нарушайте целостность креплений ремней во время очистки.

gracobaby.eu

www.gracobaby.pl



- 1 Nakkestøtte
- 2 Sædepude
- 3 Spænde
- 4 Justeringsknap til sele
- 5 Selejustering
- 6 Knap til justering af ryglænet
- 7 Drejelås
- 8 Knap til at dreje enheden
- 9 Skulderselbetræk
- 10 Indlæg til spædbørn



- 11 Justeringshåndtag til nakkestøtte
- 12 Knap til justering af ISOFIX-spænde
- 13 Støtteben
- 14 Justeringsknap til støtteben
- 15 ISOFIX-spænde
- 16 Rum til brugsvejledning
- 17 ISOFIX-spændestyk
- 18 Sideskærm

*må kun bruges på dørsiden

DA VIGTIGT

LÆS DISSE VEJLEDNINGER OMHYGGELIGT FØR BRUG BEHOLD DEM TIL SENERE REFERENCE. HVIS DISSE VEJLEDNINGER IKKE FØLGES, KAN DET GÅ UD OVER DIT BARN'S SIKKERHED.

ADVARSEL:
VIGTIGT, BEHOLD TIL SENERE REFERENCE: LÆS DENNE VEJLEDNING OMHYGGELIGT.

Autostolens hårde genstande og plastdele skal placeres på en sådan måde, at de ikke kan komme i klemme i et bevægeligt sæde eller i en køretøjets døre.

Autostolen må IKKE bruge i bagudvendt stilling på sæder med en aktiv airbag foran.

For at bruge denne autostol i henhold til FN regulativ nr. 129/03, skal dit barn opfylde følgende krav.

Bagudvendt stilling: Børnehøjde 40-105 cm/maks. 19kg;

Fremadvendt stilling: Barnets højde 76-105 cm/maks. 19 kg;

Booster-funktion: Barnets højde 100-125 cm/maks. ≤ 25 kg;

VIGTIGT - AUTOSTOLEN MÅ IKKE VENDRE FREMAD, FØR BARNET ER OVER 15 MÅNEDER (se vejledningerne)

Autostolen passer muligvis ikke i

alle godkendte køretøjer på grund af opbevaringsrum eller manglende plads til køretøjets tag. Hvis du er i tvivl, bedes du kontakte din forhandler eller kontakt os.

En sele, der holder autostolen fast til køretøjet, skal altid sidde stramt, og støttebenet skal røre bunden i køretøjet. En sele, der fastholder barnet, skal justeres, så den passer til barnets krop. En sele må aldrig være snoet.

Når dit barn er anbragt i denne autostol, skal sikkerhedsselen bruges korrekt. Sørg for, at alle skødestropper sidder lavt, så bækket sidder fast.

Hvis denne forstærket autostol udsættes for voldsomme belastninger i en ulykke, skal den skiftes. En ulykke kan forårsage skader, som ikke kan ses.

Vær opmærksom på faren ved at foretage ændringer eller tilføjelser til anordningen, uden godkendelse af den typegodkendende myndighed, og faren ved ikke at følge autostolens installationsvejledninger, der følger med produktet.

Denne forstærkede autostol skal holdes væk fra sollys, da den ellers kan blive for varm for barnets hud. Mærk altid efter med en hånd, inden du anbringer barnet i autostolen.

Efterlad ALDRIG dit barn i autostolen uden opsyn.

Bagage eller andre genstande kan føre til skader i tilfælde af et sammenstød, og de skal derfor spændes ordentligt fast.

Autostolen må IKKE bruges uden de bløde dele.

De bløde dele må ikke erstattes med nogen andre dele, undtagen dele der anbefales af producenten, da de bløde dele er en integreret del af autostolens funktion.

Kontroller, om denne autostol kan monteres korrekt i dit køretøj, før du kører det.

INGEN autostol kan garantere en fuld beskyttelse imod kvæstelser ved en ulykke. Korrekt brug af denne autostol kan dog nedsætte risikoen for alvorlige kvæstelser eller dødsfald.

Du MÅ IKKE montere autostolen uden at følge instruktionerne og advarslerne i denne brugsanvisning, da du ellers kan udsætte dit barn for alvorlig risiko for personskade eller dødsfald.

Brug IKKE denne autostol, hvis den er beskadiget eller mangler dele.

Barnet MÅ IKKE have for stort tøj på, da dette kan gøre, at barnet ikke spændes ordentligt og sikkert fast af skulderselerne og selerne mellem lårene.

Instruktionerne skal opbevares i autostolen i hele dens levetid.

Du bedes også være opmærksom på instruktionerne og advarslerne i brugsvejledningen til bilen.

Produktoplysninger

Ved montering med ISOFIX-systemet

1. Dette er et forstærket i-Size autostolsystem. Det er - i henhold til FN-forordningen nr. 129 - godkendt til brug i i-Size-kompatible sæder i køretøjer, som er angivet af bilproducenterne i køretøjets brugervejledning.
2. Hvis du er i tvivl, skal du kontakte producenten af autostolen eller din forhandler.

Til brug med 3-punktssele Til brug med 3-punktssele + ISOFIX-systemet

1. Dette er et i-Size autostol-system. Det er - i henhold til FN-regulativ nr.129 - godkendt til brug i "i-Size siddepositioner", som er angivet af bilproducenterne i køretøjets brugervejledning.
2. Hvis du er i tvivl, skal du kontakte producenten af autostolen eller din forhandler.

Materialer Plastik, metal, stof

Patentnummer Afventer patent

Monteringsproblemer

Se billederne **1** - **4**

Brug sideskærmen

Se billederne **5** - **6**

! Autostolen er udstyret med en aftagelig beskyttende sideskærm. Sæt beskyttelsespudden på siden, der er tættest på døren. Monteringen er vist i **5**.

6 Tryk på frigivelsesknappen for, at fjerne sideskærmen.

Højdeindstilling af nakkestøtte og skulderseler

Se billederne **7** - **10**

! Juster nakkestøtten og sørg for, at skulderselen er i den korrekte højde ifølge **7** **8** **9** **10**.

! Når autostolen bruges i bagudvendt stilling, skal højden på skulderselen passe med barnets skuldre. **7**

! Når autostolen bruges i fremadvendt stilling, skal højden på skulderselen være ved eller lige over barnets skuldre. **8**

! Når autostolen bruges på

autostol-funktionen, skal højden på skulderselen passe med barnets skuldre. **9**

! Tryk justeringshåndtaget til nakkestøtten ind og træk nakkestøtten op eller ned, indtil den klikker sig fast i en af de 7 stillinger, som vist i **10**.

Indstilling af ryglænet

Se billederne **11** - **13**

! Tryk på knappen til justering af ryglænet, for at justere autostolen til den ønskede stilling. **11** **12** **13**

! Der er 6 tilbagelænedede stillinger, der kan bruges både til i fremadvendt og bagudvendt stilling. **12** **13**

Montering af bunden

Se billederne **14** - **20**

! Sæt ISOFIX-styrene i for at hjælpe med monteringen. **14**

! Tryk på ISOFIX-justeringsknappen, for at udvide ISOFIX. **16** -1& **16** -2

! Sørg for, at begge ISOFIX-spænderne er sikkert fastgjort til deres ISOFIX-spændepunkt. Farven på indikatorerne på

begge ISOFIX-spænderne skal være helt grøn. **17** -1

- ! Tryk på ISOFIX-justeringsknappen igen, samtidig med at du trykker sædet tilbage, indtil det rører køretøjsædets ryglæn.
- ! Når ISOFIX-spændet er sat på, skal støttebenet trækkes mod bunden af køretøjet. Når indikatoren på støttebenet viser grøn, sidder støttebenet rigtigt. **17** -2
- ! Tryk på frigivelsesknappen til støttebenet, og tryk det opad. **17** -3
- ! Sørg altid for, at støttebenet rører gulvet og er låst, selv når barnet ikke er i autostolen.

Fjernelse af bunden

- ! For at tage den ud af køretøjet, skal du trykke på ISOFIX-justeringsknappen og trække bunden ud af sædet. Tryk på spænderne og løs dem fra køretøjets ISOFIX-spændepunkter. **19**
- ! For at forhindre skade under transport, skal du trykke på ISOFIX-justeringsknappen **20** -1 og folde spændet helt sammen. **20** -2

Brug af autostolen i bagudvendt stilling

(Barnets højde 40-105 cm/Barnets vægt ≤ 19 kg/spædbørn - 4 år gammel)

Se billederne **21** - **30**

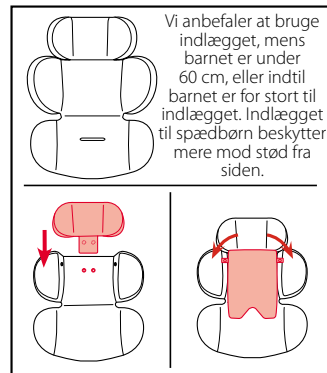
- ! Stil autostolen på bagsædet i køretøjet, og put derefter barnet i autostolen.
- ! Tryk smart-låsen til venstre, når autostolen bruges i bagudvendt stilling. **21**
- ! Tryk på ISOFIX-justeringsknappen og træk bunden tilbage fra sædet. **22**
- ! Tryk på knappen til at dreje autostolen, så barnet nemmere kan tages ud og puttes i stolen, og drej derefter autostolen til bagudvendt stilling. **23** **24**
- ! Tryk på knappen til at dreje autostolen på en af siderne, for at dreje autostolen.

Sådan spændes barnet fast

- ! For at forlænge skulderselerne, skal du trykke på knappen til selejustering, mens du trækker skulderselerne ud for at løsne dem. **25**
- ! Lås spændet op ved, at trykke på den røde knap.

- ! Spænd spænderne på begge sider af sædet, der er mærket **27** så det er nemmere at lægge barnet i bagudvendt stilling.

Brug indlægget til spædbørn



- ! Anbring barnet i autostolen, og før begge arme gennem selerne.
- ! Lås spændet. Se venligst **28**
- ! Træk selejusteringen nedad, og juster selen til den ønskede længde, så dit barn er spændt ordentligt fast. **29**
- ! Sørg altid for at barnet er spændt fast med selen, og at selen sidder ordentligt og ikke for løs.
- ! Sørg for, at afstanden mellem barnet og skulderselerne er ca. den samme som tykkelsen af en hånd.
- ! Sørg altid for, at autostolen er

låst (i bagudvendt/fremadvendt stilling), også selvom barnet ikke er i autostolen.

Brug af autostolen i fremadvendt stilling

(Barnets højde 76-105 cm/Barnets vægt ≤ 19kg/15 måneder - ca. 4 år gammel)

Se billederne **31** - **38**

- ! Stil autostolen på bagsædet i køretøjet, og put derefter barnet i autostolen.
- ! Tryk smart-låsen til venstre, når autostolen bruges i fremadvendt stilling. **31**
- ! Tryk på knappen til at dreje autostolen, så barnet nemmere kan tages ud og puttes i stolen, og drej derefter autostolen til fremadvendt stilling. **32** **33**
- ! Tryk på knappen til at dreje autostolen på en af siderne, for at dreje autostolen.

Sådan spændes barnet fast

- ! For at forlænge skulderselerne, skal du trykke på knappen til selejustering, mens du trækker skulderselerne ud for at løsne dem. **34**
- ! Lås selespændet op ved at

trykke på den røde knap. **35**

! Fjern indlægget til spædbørn, når booster-funktionen bruges.

36

! Placer spænderne på ydersiden af autostolen, så spænderne holdes på plads.

! Anbring barnet i autostolen, og før begge arme gennem selerne.

! Lås spændet.

! Træk selejusteringen nedad, og juster selen til den ønskede længde, så dit barn er spændt ordentligt fast. **37**

! Sørg altid for, at autostolen er låst (i bagudvendt/fremadvendt stilling), også selvom barnet ikke er i autostolen.

! ISOFIX-spænderne skal fastgøres og fastlåses til ISOFIX-spændepunkterne. **38** -1

! Støttebenet skal installeres korrekt, så den grønne indikator vises. **38** -2

! Sørg altid for at barnet er spændt fast med selen, og at selen sidder ordentligt og ikke for løs.

! Brug IKKE autostolen i fremadvendt stilling, før barnet er mindst 76 cm høj OG 15 måneder gammel.

Brug på booster-funktionen

(Barnets højde 100-125 cm/Barnets vægt ≤ 25 kg)

Se billederne **39** - **46**

! Stil autostolen på bagsædet i køretøjet, og put derefter barnet i autostolen.

! Tryk smart-låsen til venstre, når autostolen bruges på booster-funktionen. **39**

Sådan spændes barnet fast

! Lås selespændet op ved at trykke på den røde knap. **40**

! Fjern indlægget til spædbørn, når booster-funktionen bruges.

! Gem skridtselen og skulderselen med betrækket væk i rummene. **42** **44**

! Juster nakkestøtten, så nakkestøttens underside er plan med barnets skuldre.

! Spænd fast med sikkerhedssele i køretøjet.

! Skulderselen skal føres gennem hullet til skulderselen. **46** -2

! Farven på indikatorerne på begge ISOFIX-spænderne skal være helt grøn.

! Montering med ISOFIX-spænderne på booster-funktionen er valgfrit. Hvis

ISOFIX-spænderne bruges, skal du sørge for, at indikatorfarverne på hver spænde er helt grøn, når de spændes fast til spændingspunkterne. **46** -1

! Støttebenet skal installeres korrekt, så den grønne indikator vises. **46** -3

! Autostolen må ikke bruges, hvis spændet på køretøjets sikkerhedssele (hunstikket) er for langt til at fastgøre autostolen sikkert. **46** -4

Sådan tages de bløde dele af

Se billederne **47** - **52**

Tryk på den røde knap for at åbne låsebeslaget. **47**

Følg trinene **48** - **52** for, at tage de bløde dele af.

For at sætte de bløde dele på igen skal du gentage ovenstående trin i omvendt rækkefølge.

Pleje og vedligeholdelse

Sædebetræk og puder kan vaskes i koldt vand under 30 °C.

De bløde dele må ikke stryges.

De bløde dele må ikke vaskes med blegemiddel eller kemiske

rengøringsmidler.

Autostolen må ikke vaskes med ufortyndet rengøringsmiddel, benzin eller andre organiske opløsningsmidler. Det kan forårsage skade på autostolen.

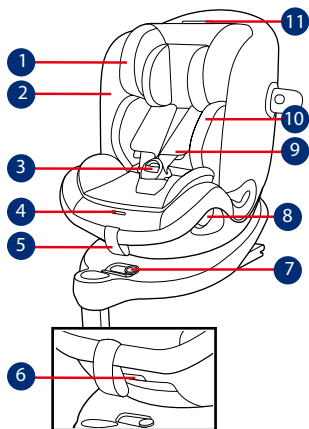
Undgå at vride sædebetrækket og puderne for meget, når de skal tørres. Det kan give delene folder.

Sædebetræk og puder skal hænges til tørre i skyggen.

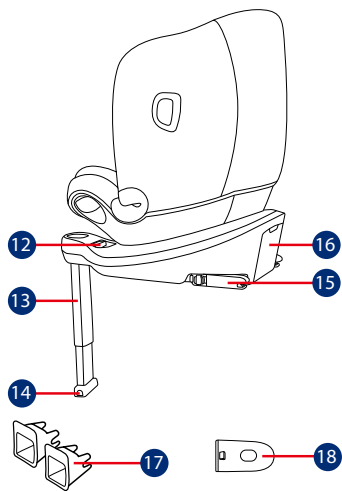
Hvis autostolen ikke skal bruges i længere tid, skal den tages ud af køretøjet. Opbevar autostolen på et køligt og tørt sted, som er utilgængeligt for børn.

Undgå, at pille ved spænderne under rengøring.

gracobaby.eu
www.gracobaby.pl



- 1 Hodestøtte
- 2 Setepute
- 3 Spenne
- 4 Selejusteringsknapp
- 5 Justeringsnetting
- 6 Ryggjusteringsknapp
- 7 Swinglås
- 8 Dreieknapp
- 9 Skulderbeltetrekk
- 10 Spedbarnsinnlegg



- 11 Justeringshåndtak til hodestøtte
- 12 ISOFIX-justeringsknapp
- 13 Lastben
- 14 Justeringsknapp for lastben
- 15 ISOFIX-kontakt
- 16 Oppbevaring for bruksanvisning
- 17 ISOFIX-kontaktførere
- 18 Sidestøtvern

*må kun brukes på dørsiden

NO VIKTIG

LES DISSE INSTRUKSJONENE NØYE FØR BRUK, OG BEHOLD DEM FOR FREMTIDIG OPPSLAG. DERSOM DU IKKE FØLGER DISSE INSTRUKSJONENE, KAN DET GÅ UT OVER SIKKERHETEN TIL BARNET DITT.

⚠ADVARSEL:
VIKTIG, BEHOLD FOR FREMTIDIG OPPSLAG: LES NØYE.

Vær obs på at de stive gjenstandene og plastdelene på det forbedrede barnesetet blir plassert og installert slik at de ikke kan hemmes av et flyttbart sete eller en av bilens dører. IKKE bruk bakovervendte forbedrede barnesetesystemer i sitteplasser der en aktiv frontkollisjonspute er installert.

For at bruk av dette forbedrede barnesetet skal være i henhold til FN-forskrift nr. 129/03 må barnet være innenfor følgende mål.

Bakovervendt bruk: Barnets høyde 40–105cm / maks. 19kg;

Fremovervendt bruk: Barnets høyde 76–105 cm / maks. 19kg;

Beltestolmodus: Barnets høyde 100–125cm / maks. 25kg;

VIKTIG - IKKE BRUK FREMOVERLENT FØR BARNET ER MINST 15 MÅNEDER (se instruksjonene).

Det forbedrede barnesetet passer kanskje ikke i alle godkjente kjøretøy, på grunn av oppbevaringsrom eller begrenset avstand til taket i kjøretøyet. Ved tvil bes du kontakte forhandleren eller oss.

Alle remmer som holder det forbedrede barnesetet til kjøretøyet, skal være tette. Støtteben skal være i kontakt med kjøretøyet gulv. Eventuelle stropper som holder fast barnet skal tilpasses kroppen til barnet. Stroppene skal ikke vris.

Når barnet er satt i det forbedrede barnesetet, må sikkerhetsbeltet brukes riktig. Sørg for at midjebelte legges lavt slik at skrittet er godt festet og under press.

Dette forbedrede barnesetet bør byttes ut når den har vært utsatt for tunge belastninger i en ulykke. En ulykke kan føre til skade som du ikke kan se.

Vær oppmerksom på faren ved endringer eller tillegg til enheten som gjøres uten godkjenning fra gjeldende myndighet eller hvis ikke installasjonsinstruksjonene gitt av produsenten til det forbedrede barnesetet følges.

Hold dette forbedrede barnesetet borte fra sollys, da det kan bli for varmt for huden til barnet. Ta alltid på det forbedrede barnesetet før du setter barnet i det.

IKKE legg barnet i dette forbedrede barnesetssystemet uten tilsyn.

All bagasje eller andre gjenstander som kan gi personskader ved kollisjon, skal være forsvarlig festet.

Det forbedrede barnesete systemet SKAL IKKE BRUKES uten de myke delene.

De myke delene skal ikke byttes ut med noen andre enn de som er anbefalt av produsenten, da de er vesentlige for ytelsen til barnesetet.

Kontroller om dette forbedrede barnesetet kan monteres riktig i kjøretøyet før du kjøper det.

INGEN forbedrede barneseter kan garantere full beskyttelse mot skade ved en ulykke. Riktig bruk av dette forbedrede barnesetet vil imidlertid redusere risikoen at barnet ditt blir alvorlig skadet eller dør.

IKKE monter det forbedrede barnesetet å uten å følge instruksjonene i denne håndboken, ellers kan barnet utsettes for alvorlig fare for skade eller død.

IKKE bruk det forbedrede barnesetet hvis det er skadet eller deler mangler.

IKKE kle barnet i store/ overdimensjonerte klær, da dette kan hindre at barnet blir , ordentlig og sikkert festet med skulderbeltestroppene og skrittremene mellom bena.

Instruksjonene skal oppbevares sammen med det forbedrede barnesetet så lenge det er i bruk.

Ta også hensyn til instruksjonene og advarslene i håndboken fra produsenten av bilen.

Produkt-informasjon

For installasjon med ISOFIX-system

1. Dette er et i-Size forsterket barnesetssystem. Den er godkjent i henhold til FN-forskrift nr. 129, for bruk i i-Size-kompatible sitteplasser som angitt av kjøretøyprodusentene i brukerhåndboken til kjøretøyet.
2. Hvis du er i tvil, tar du kontakt med produsenten eller forhandleren av det forbedrede barnesetet.

For installasjon med 3-punkts belte

For installasjon med 3-punkts belte + ISOFIX-system

1. Dette er et i-Size beltepute forbedret barnesetssystem. Det er godkjent i henhold til FN-forskrift nr. 129 for bruk i «i-Size-sitteplasser» som angitt av kjøretøyprodusentene i bruksanvisningen til kjøretøyet.
2. Hvis du er i tvil, tar du kontakt med produsenten eller forhandleren av det forbedrede barnesetet.

Materialer Plast, metall, tekstiler

Patentnr. Patentmeldt

Merknader for installasjon

Se bilder **1** - **4**

Bruk sidestøtbeskyttelse

Se bilder **5** - **6**

- ! Det forbedrede barnesetet leveres med en avtagbar beskyttelseskapsel mot sidestøt. Sett inn sidestøtkapselen på siden nærmest døren. Installasjon vist på **5**.
- 6** Trykk utløserknappen for å fjerne beskyttelsen mot sidestøt.

Høydejustering for hodestøtte og skuldersele

Se bilder **7** - **10**

- ! Juster hodestøtten og kontroller at skulderselen er i riktig høyde i henhold til **7 8 9 10**.
- ! Ved bakovervendt bruk må høyden på skuldersesleporene være på høyde med eller like under toppen av skuldrene til barnet. **7**
- ! Ved fremovervendt bruk må høyden på skuldersesleporene være på høyde med eller like over toppen av skuldrene til barnet. **8**
- ! Ved bruk som beltestol må høyden på skulderselen være på høyde med skuldrene til barnet. **9**
- ! Trykk justeringsspaken for hodestøtten mens du trekker opp eller ned hodestøtten til den klikker inn på en av de 7 posisjonene vist som **10**.

Ryggjustering

Se bilder **11** - **13**

- ! Trykk ryggjusteringsknappen for å sette det forbedrede barnesetet i ønsket posisjon. **11 12 13**

- ! Det er 6 hvileposisjoner i både bakovervendt og fremovervendt bruk. **12** **13**

Baseinstallasjon

Se bilder **14** - **20**

- ! Sett inn ISOFIX-festeførerne for å hjelpe deg med installasjonen. **14**
- ! Trykk ISOFIX-justeringsknappen for å forlenge ISOFIX. **16** -1 og **16** -2
- ! Sørg for at begge ISOFIX-kontaktene er sikkert festet til ISOFIX-ankerpunktene. Fargene på indikatorene på begge ISOFIX-kontaktene skal være helt grønne. **17** -1
- ! Trykk ISOFIX-justeringsknappene igjen mens du skyver setet tilbake til den kommer i kontakt med ryggen på bilsetet.
- ! Når ISOFIX er festet, trekker du lastbenet ned på gulvet. Når lastbenindikatoren blir grønn, er lastbenet riktig montert. **17** -2
- ! Klem utløserknappen for lastbenet, og juster lengden på lastbenet. **17** -3

- ! Sørg alltid for at støttebenet har direkte kontakt med gulvet og er i låst stilling selv når barnet ikke er i det.

Fjerne basen

- ! Når du skal ta det ut av bilen, trykker du ISOFIX-justeringsknappen og trekker basen bort fra setet. Trykk og slipp deretter kontaktene fra bilens ISOFIX. **19**
- ! Trykk ISOFIX-justeringsknappen **20** -1 og brett kontakten helt for å forhindre skade under transport. **20** -2

Bakovervendt bruk (Barnets høyde 40–105cm / Barnets vekt ≤ 19kg / spedbarn til ca. 4 år)

Se bilder **21** - **30**

- ! Installer det forbedrede barnesetet på baksetet, og sett deretter barnet i det forbedrede barnesetet.
- ! Skyv Smart-avlåsing til venstre når det forbedrede barnesetet brukes i bakovervendt modus. **21**
- ! Trykk ISOFIX-justeringsknappen, og trekk basen bakover fra bilsetet. **22**
- ! Trykk dreieknappen for å dreie

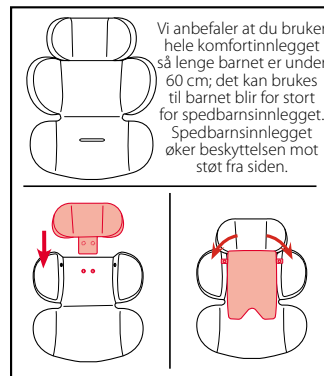
setet slik at det blir lett å sette barnet inn og ta det ut, og dreie det rundt til bakovervendt stilling. **23** **24**

- ! Trykk dreieknappen på hver side for å dreie det forbedrede barnesetet.

Sikre barnet

- ! Trykk selejusteringsknappen mens du trekker ut skulderselen for å løse og forlenge skulderselbeltene. **25**
- ! Spenn opp selen ved å trykke den røde knappen.
- ! Fest spennene på begge sider av setet markert som **27** for å gjøre det lettere å plassere babyen ved bakovervendt bruk.

Bruke spedbarnsinnlegg



Vi anbefaler at du bruker hele kornfortinnlegget så lenge barnet er under 60 cm; det kan brukes til barnet blir for stort for spedbarnsinnlegget. Spedbarnsinnlegget øker beskyttelsen mot støt fra siden.

- ! Legg barnet i det forsterkede barnesetet, og legg legge armer

gjennom selen.

- ! Fest spennen. Se **28**
- ! Trekk ned justeringsbåndet, og juster det til riktig lengde slik at barnet sitter godt fast. **29**
- ! Barnet skal alltid holdes godt i selen og strammet ordentlig; eventuelt slakk skal fjernes.
- ! Sørg for at avstanden mellom barnet og skulderseleremmene har omtrent tykkelsen til en hånd.
- ! Pass alltid på at setet er i låst posisjon (bakovervendt / fremovervendt) selv når barnet ikke er i det.

Fremovervendt bruk

(Barnets høyde 76–105 cm
/ Barnets vekt ≤ 19 kg /
15 måneder – ca. 4 år)

Se bilder **31** - **38**

- ! Installer det forbedrede barnesetet på baksetet, og sett deretter barnet i det forbedrede barnesetet.
- ! Skyv Smart-avlåsing til høyre når det forbedrede barnesetet brukes i fremovervendt modus. **31**
- ! Trykk dreieknappen for å dreie

setet slik at det blir lett å sette barnet inn og ta det ut, og dreie det rundt til fremovervendt stilling. **32** **33**

- ! Trykk dreieknappen på hver side for å dreie det forbedrede barnesetet.

Sikre barnet

- ! Trykk selejusteringsknappen mens du trekker ut skulderselene for å løsne og forlenge skulderselebeltene. **34**
- ! Lås opp låsespennen ved å trykke den røde knappen. **35**
- ! Fjern spedbarnsinnlegget i fremovervendt modus. **36**
- ! Plasser spennetungene på utsiden av det forbedrede barnesetet slik at de holdes på plass.
- ! Legg barnet i det forsterkede barnesetet, og legg legge armer gjennom selen.
- ! Fest spennen.
- ! Trekk ned justeringsbåndet, og juster det til riktig lengde slik at barnet sitter godt fast. **37**
- ! Pass alltid på at setet er i låst posisjon (bakovervendt / fremovervendt) selv når barnet ikke er i det.
- ! ISOFIX-kontaktene må festes og låses på ISOFIX-ankerpunktene. **38** -1

- ! Lastbenet må monteres riktig med grønn indikator. **38** -2
- ! Barnet skal alltid holdes godt i selen og strammet ordentlig; eventuelt slakk skal fjernes.
- ! IKKE bruk fremovervendt med mindre barnets høyde er minst 76 cm OG alder 15 måneder.

Bruke i beltestolmodus (Barnets høyde 100–125 cm / Barnets vekt ≤ 25 kg)

Se bilder **39** - **46**

- ! Installer det forbedrede barnesetet på baksetet, og sett deretter barnet i det forbedrede barnesetet.
- ! Skyv Smart-avlåsingen til høyre når det forbedrede barnesetet brukes i beltestolmodus. **39**

Sikre barnet

- ! Lås opp låsespennen ved å trykke den røde knappen. **40**
- ! Fjern spedbarnsinnlegget i beltestolmodus.
- ! Pakk skrittremmen, skulderremmen med deksler bort i rommene. **42** **44**
- ! Juster hodestøtten slik at bunnen er på nivå med barnets skulder.

- ! Spenn fast med bilbeltet.
- ! Skulderbeltet må legges gjennom skulderbelteføringen. **46** -2
- ! Fargene på indikatorene på begge ISOFIX-festekontaktene skal være helt grønne.
- ! Det er valgfritt å installere med ISOFIX-kontakter i beltestolmodus. Hvis ISOFIX-kontakter brukes, må du kontrollere at indikatorfargene på begge kontaktene er helt grønne når de er festet til ankerpunktene. **46** -1
- ! Lastbenet må monteres riktig med grønn indikator. **46** -3
- ! Det forbedrede barnesetet kan ikke brukes hvis bilens låsespennen i kjøretøyet (hunnenden) er for lang til å forankre belteputen på en sikker måte. **46** -4

Ta av de myke delene

Se bilder **47** - **52**

Trykk den røde knappen for å frigjøre spennen. **47**

Følg trinnene **48** - **52** å løsne de myke delene.

Når du skal feste de myke delene igjen, gjentar du trinnene ovenfor i omvendt rekkefølge.

Stell og vedlikehold

Vask setetrekket og den indre polstringen med kaldt vann under 30 °C.

Ikke stryk de myke delene.

Ikke bruk blekemiddel eller tørrens på de myke delene.

Ikke bruk uførtynnede vaskemidler, bensin eller andre organiske løsemidler til å vaske barnesetet. Det kan føre til skade på barnesetet.

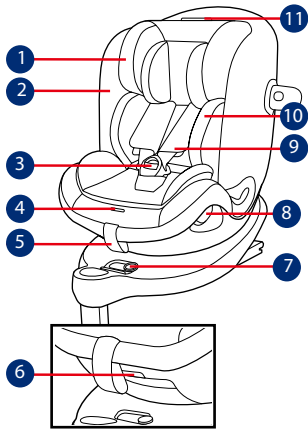
Ikke vri setetrekket og den indre polstringen for å tørke. Det kan gjøre at setetrekket og den indre polstringen blir rynket.

Heng det tørre setetrekket og den indre polstringen i skyggen.

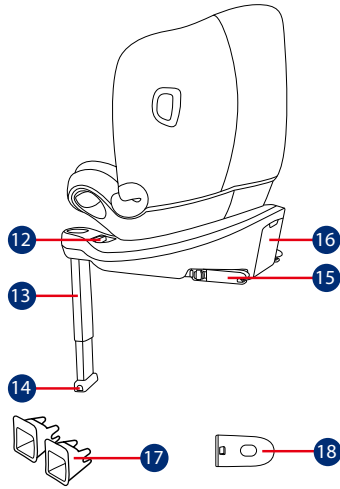
Fjern barnesetet fra bilsetet hvis det ikke skal brukes på lengre tid. Legg barnesetet på et kjølig, tørt sted der barnet ikke får tilgang til det.

Ikke tukle med selekontaktene under rengjøring.

gracobaby.eu
www.gracobaby.pl



- 1 Päätuki
- 2 Istuintyyny
- 3 Solki
- 4 Valjaiden säätöpainike
- 5 Säätönauha
- 6 Kallistuksen säätöpainike
- 7 Kääntyvä lukitus
- 8 Kiertopainike
- 9 Hartiavaljaiden suojuukset
- 10 Imeväisikäisen lisäosa



- 11 Päätuen säätövipu
- 12 ISOFIX-säätöpainike
- 13 Tukijalka
- 14 Tukijalan säätöpainike
- 15 ISOFIX-liitin
- 16 Käyttöoppaan säilytyslokero
- 17 ISOFIX-kiinnitysoppaat
- 18 Sivutörmäyssuojaus

*Käytettävä vain ovipuolella

FI TÄRKEÄÄ

LUE NÄMÄ OHJEET HUOLELLISESTI ENNEN KÄYTTÖÄ JA SÄILYTÄ NE TULEVAA KÄYTTÖÄ VARTEN. LAPSESI TURVALLISUUS VOI VAARANTUA, MIKÄLI ET NOUDATA NÄITÄ OHJEITA.

VAROITUS:
TÄRKEÄÄ, SÄILYTÄ TULEVAA KÄYTTÖÄ VARTEN: LUE HUOLELLISESTI.

Tehostetun lasten turvalaitteen jäykät osat ja muoviosat on sijoitettava ja asennettava siten, etteivät ne pääse jäämään kiinni liikkuvaan istuimeen tai ajoneuvon oveen.

ÄLÄ käytä taaksepäin suunnattua parannettua lasten turvaistuinta istuimilla, joihin on asennettu aktiivinen frontaalinen turvatyyny.

Jotta voit käyttää tätä parannettua lasten turvalaitetta YK:n säännön nro 129/03 mukaisesti, lapsesi on täytettävä seuraavat vaatimukset.

Taaksepäin suuntautuvassa tilassa: Lapsen pituus 40cm-105cm/ max. 19kg;

Eteenpäin suuntautuvassa tilassa: Lapsen pituus 76cm-105cm/ max. 19kg;

Istuinkoroketila: Lapsen pituus 100-125cm / paino maks. 25kg;

TÄRKEÄÄ - ÄLÄ KÄYTÄ KASVOT MENOSUUNTAAN -ASENTOA ENNEN

KUIN LAPSI ON IÄLTÄÄN YLI 15 KUUKAUTTA (Katso ohjeet).

Parannettu lasten turvalaite ei välttämättä sovi kaikkiin hyväksytyihin ajoneuvoihin säilytyslokeroiden tai ajoneuvon katolle jäävän tilan rajallisuuden vuoksi. Jos olet epävarma, ota yhteyttä jälleenmyyjään tai meihin.

Kaikkien hihnojen, joilla tehostettu lasten turvalaite kiinnitetään ajoneuvoon, on oltava kireällä, kaikkien tukijalkojen on oltava kosketuksissa ajoneuvon lattiaan, kaikki lasta kiinnittävät hihnat on säädettävä lapsen vartaloa vastaaviksi ja hihnat eivät saa olla väänntyneet.

Kun lapsi on asetettu tähän parannettuun lasten turvaistuimeen, turvavyötä on käytettävä oikein. Varmista, että kaikkia sylihihnoja pidetään alhaalla niin, että lantio on kiinnittynyt lujasti, on kuormitettava.

Tämä parannettu lasten turvaistuin tulee vaihtaa, jos se on altistunut voimakkailla rasituksilla onnettomuudessa. Onnettomuus voi aiheuttaa silmillä havaitsematonta vahinkoa.

Pidä mielessä vaara, joka aiheutuu ilman toimivaltaisen viranomaisen hyväksyntää tehdyistä muutoksista tai lisäyksistä, ja vaaroja, jotka aiheutuvat siitä, ettei lasten parannetun turvaistuimen valmistajan

toimittamia asennusohjeita noudateta tarkasti.

Pidä tämä parannettu lasten turvaistuin pois auringonpaisteesta, siitä voi tulla liian kuuma lasten iholle. Tunnusteile parannettua lasten turvaistuinta ennen lapsen asettamista siihen.

ÄLÄ KOSKAAN jätä lasta valvomatta tähän parannettuun lapsen turvaistuimeen.

Kaikki matkatavarat tai muut esineet, jotka voivat aiheuttaa vammoja törmäystilanteessa, on kiinnitettävä kunnolla.

Parannettua lasten turvaistuinjärjestelmää EI SAA KÄYTTÄÄ ilman pehmyttarvikkeita.

Pehmyttarvikkeita ei saa vaihtaa muihin kuin valmistajan suosittelemiin, koska pehmyttarvikkeet muodostavat kiinteän osan turvajärjestelmän suorituskyvystä.

Tarkista, voidaanko tämä parannettu lasten turvaistuinjärjestelmä asentaa oikein ajoneuvoosi ennen kuin ostat sen.

MIKÄÄN parannettu lasten turvaistuin ei takaa täyttä suojausta vammalta onnettomuudessa. Tämän parannetun lasten turvaistuimen oikea käyttö kuitenkin vähentää lapsen vakavan vamman tai kuoleman vaaraa.

ÄLÄ asenna tätä parannettua lasten turvaistuinta noudattamatta tämän käyttöoppaan ohjeita, muuten saatat asettaa lapsen vakavaan loukkaantumisen tai kuoleman vaaraan.

ÄLÄ käytä tätä parannettua lasten turvaistuinta, jos se on vahingoittunut, tai jos siitä puuttuu osia.

ÄLÄ pue lasta väliin / liian suuriin vaatteisiin, se voi estää lasten turvallisen kiinnittämisen hartiavaljaisiin ja haarahihnaan jalkojen välissä.

Käyttöohjeita on säilytettävä parannetussa lapsen turvaistuimessa koko sen käyttöä.

Kiinnitä myös huomiota ajoneuvon valmistajan käsikirjan ohjeisiin ja varoituksiin.

Tuotetiedot

Asennettavaksi ISOFIX-järjestelmän kanssa

1. Tämä on i-Size tehostettu lapsen turvaistuin. Se on hyväksytty UN nro R129 -säädöksen mukaisesti käytettäväksi i-Size-yhteensopivissa istumasijainneissa, jotka ajoneuvon valmistaja on osoittanut ajoneuvon käyttöoppaassa.

2. Jollet ole varma, ota yhteyttä parannetun lasten turvaistuinjärjestelmän valmistajaan tai jälleenmyyjään.

Asennettavaksi 3-pistevyöllä Asennettavaksi 3-pistevyöllä + ISOFIX-järjestelmä

1. Tämä on i-Size-parannetun lapsen turvaistuimen istuinkoroke. Se on hyväksytty YK:n säännön nro 129 mukaisesti käytettäväksi ensisijaisesti "i-Size-istuinpaikoilla", jotka ajoneuvon valmistajat ovat ilmoittaneet ajoneuvon käyttöohjeissa.

2. Jollet ole varma, ota yhteyttä parannetun lasten turvaistuinjärjestelmän valmistajaan tai jälleenmyyjään.

Materiaalit Muovit, metalli, kankaat

Patenttinumero Patenteja vireillä

Asennuksessa huomioitavaa

Katso kuvat 1 - 4

Käytä sivutörmäyssuojaa

Katso kuvat 5 - 6

! Parannettu lapsen turvaistuin on varustettu irrotettavalla sivutörmäyssuojalla. Liitä sivutörmäyssuoja lähimpänä ovea olevalle puolelle. Asennus kuvassa 5.

6 Paina vapautuspainiketta

irrottaaksesi sivutörmäyssuojan.

Korkeuden asetus Päätuelle ja hartiavaljaille

Katso kuvat 7 - 10

! Säädä pääntuki ja tarkista, että olkavaljaat ovat oikealla korkeudella seuraavien ohjeiden mukaisesti 7 8 9 10.

! Käytettäessä taaksepäin suunnatussa tilassa, hartiavaljaiden korkeuden on oltava samalla tasolla kuin lapsen hartiat tai juuri niiden alapuolella. 7

! Kun turvavyötä käytetään selkä menosuuntaan, sen on oltava lapsen olkapäiden yläreunan tasalla tai hieman sen yläpuolella. 8

! Kun turvavyötä käytetään korotustilassa, olkavöiden ohjainten on oltava lapsen hartioiden tasalla. 9

! Paina päätuen säätövipua ja vedä tai työnnä päätukea ylös tai alas, kunnes se napsahtaa johonkin 7 asennosta, jotka näkyvät kuvassa 10.

Kallistuksen säätö

Katso kuvat 11 - 13

! Paina kallistuksen säätöpainiketta

säätääksesi tehostetun lasten turvalaitteen haluttuun asentoon. **11 12 13**

! On 6 kallistusasentoa, joita voidaan käyttää sekä selkä menosuuntaan että selkä menosuuntaan. **12 13**

Tukikohdan asennus

Katso kuvat **14 - 20**

! Liitä ISOFIX-ohjaimet helpottaaksesi asennusta. **14**

! Paina ISOFIX-säätöpainiketta laajentaaksesi ISOFIX-liitintä. **16 -1& 16 -2**

! Varmista, että molemmat ISOFIX-liittimet on kiinnitetty tiukasti niiden ISOFIX-kiinnityspisteisiin. Molempien ISOFIX-liittimien ilmaisinten tulisi olla kokonaan vihreitä. **17 -1**

! Paina ISOFIX-säätöpainikkeita uudelleen samalla, kun painat tuotteen selkänöjää, kunnes se tulee kosketuksiin ajoneuvon selkätuen kanssa.

! Kiinnitettyäsi ISOFIX-liittimen, vedä tukijalka alas lattiaan. Kun tukijalan ilmaisin näkyy vihreänä, se on asennettu oikein. **17 -2**

! Purista tukijalan vapautuspainiketta ja säädä sitten tukijalan pituutta. **17 -3**

! Varmista aina, että tukijalka on suorassa kosketuksessa lattiaan ja että se on lukitussa asennossa myös silloin, kun lapsi ei ole siinä.

Alustan poistaminen

! Poistaaksesi turvaistuimen ajoneuvosta, paina ISOFIX-säätöpainiketta ja vedä alusta irti istuimesta. Paina ja vapauta sitten kiinnikkeet ajoneuvon ISOFIX-kiinnityspisteistä. **19**

! Paina ISOFIX-säätöpainiketta kuljetuksen aikana tapahtuvien vaurioiden estämiseksi **20 -1** ja taita liitin kokonaan. **20 -2**

Käyttö selkä menosuuntaan suunnatussa tilassa (Lapsen korkeus 40cm-105cm/lapsen paino) ≤ 19kg/lapsi - n. 4-vuotias)

Katso kuvat **21 - 30**

! Asenna parannettu lapsen turvaistuin ajoneuvon takaistuimelle ja aseta sitten lapsi parannettuun lapsen turvaistuimeen.

! Liu'uta Smart lock-off vasemmalle, kun tehostettu lasten turvalaitetta käytetään selkä menosuuntaan. **21**

! Paina ISOFIX-säätöpainiketta

ja vedä alustan takaosa ulos ajoneuvon istuimesta. **22**

! Paina kiertopainiketta lapsen sivulle asettamisen/purkamisen helpottamiseksi ja käännä istuin sitten selkä menosuuntaan. **23**

24

! Paina kiertopainiketta jommalla kummalla puolella kiertääksesi parannettua lapsen turvaistuinta.

Lapsen kiinnittäminen

! Pidentääksesi hartiavaljaiden vöitä, paina valjaiden säätöpainiketta samalla, kun vedät ulos hartiavaljaiden hihnoja löysätäksesi niitä. **25**

! Irrota valjaat painamalla punaista painiketta.

! Kiinnitä istuimen molemmin puolin olevat soljet, jotka on merkitty seuraavasti **27**, jotta lapsen asettaminen selkä menosuuntaan on helpompaa.

Vauvalisävarusteen käyttö



! Aseta lapsi parannettuun lasten turvaistuimeen ja vie molemmat kädet valjaiden läpi.

! Kiinnitä solki. Katso kuva **28**

! Vedä säätönauhakudos alas ja säädä se oikeaan pituuteen niin, että lapsi on kiinnitetty tiukasti. **29**

! Pidä lapsi aina kiinnitettynä valjaisiin, jotka on kiristetty oikein poistamalla löysyys.

! Varmista, että tila lapsen ja hartiavaljaiden hihnojen välillä on noin yhden kämmenen paksuuden mittainen.

! Varmista aina, että istuin on lukitussa asennossa (selkä menosuuntaan / selkä menosuuntaan) myös silloin, kun lapsi ei ole siinä.

Käyttö eteenpäin suunnatussa tilassa

(Lapsen pituus 76-105cm/
lapsen paino ≤ 19kg/15

kk - n. 4 vuotta)

Katso kuvat 31 - 38

- ! Asenna parannettu lapsen turvaistuin ajoneuvon takaistuimelle ja aseta sitten lapsi parannettuun lapsen turvaistuimeen.
- ! Liu'uta Smart lock-off -toiminto oikealle, kun tehostettua lasten turvalaitetta käytetään kasvot menosuuntaan. 31
- ! Paina kiertopainiketta lapsen sivulle lastaamisen/purkamisen helpottamiseksi ja käännä istuin sitten eteenpäin suunnattuun asentoon. 32 33
- ! Paina kiertopainiketta jommalla kummalla puolella kiertääksesi parannettua lapsen turvaistuinta.

Lapsen kiinnittäminen

- ! Pidentääksesi hartiavaljaiden vöitä, paina valjaiden säätöpainiketta samalla, kun vedät ulos hartiavaljaiden hihnoja löysätäksesi niitä. 34
- ! Avaa valjaiden soljen lukitus painamalla punaista painiketta. 35
- ! Poista vauvan lisäosa kasvot

menosuuntaan -tilassa 36

- ! Aseta soljen kielekkeet tehostetun lasten turvalaitteen ulkosivulle niin, että kielekkeet pysyvät paikallaan.
- ! Aseta lapsi parannettuun lasten turvaistuimeen ja vie molemmat kädet valjaiden läpi.
- ! Kiinnitä solki.
- ! Vedä säätönauhakudos alas ja säädä se oikeaan pituuteen niin, että lapsi on kiinnitetty tiukasti. 37
- ! Varmista aina, että istuin on lukitussa asennossa (selkä menosuuntaan / selkä lapsi ei ole siinä).
- ! ISOFIX-liittimien tulee olla kiinni ja lukittuina ISOFIX-kiinnityspisteisiin. 38 -1
- ! Tukijalka on asennettava oikein niin, että vihreä ilmaisin on näkyvissä. 38 -2
- ! Pidä lapsi aina kiinnitettynä valjaisiin, jotka on kiristetty oikein poistamalla löysyys.
- ! ÄLÄ käytä selkä menosuuntaan -tilaa ennen kuin lapsesi pituus on vähintään 76 cm JA 15 kuukauden ikäinen.

Käyttö istuinkoroketilassa (Lapsen pituus 100-125cm/ lapsen paino ≤ 25kg)

Katso kuvat 39 - 46

- ! Asenna parannettu lapsen turvaistuin ajoneuvon takaistuimelle ja aseta sitten lapsi parannettuun lapsen turvaistuimeen.
- ! Liu'uta Smart lock-off oikealle, kun tehostettua lasten turvalaitetta käytetään tehostetilassa. 39

Lapsen kiinnittäminen

- ! Avaa valjaiden soljen lukitus painamalla punaista painiketta. 40
- ! Poista vauvalisäosa istuinkoroketilaa käytettäessä
- ! Pujota haarahihna, olkahihna ja suojukset pois lokeroihin. 42 44
- ! Säädä pääntuki siten, että pääntuen alaosa on lapsen hartioiden tasolla.
- ! Kiinnitä soljella ajoneuvon turvavyöhön.
- ! Hartiavyön on kuljettava hartiavyön ohjaimen kautta. 46 -2
- ! Molempien ISOFIX-liittimien

ilmaisinten tulisi olla kokonaan vihreitä.

- ! Asennus ISOFIX-liittimillä istuinkoroketilassa on valinnainen. Jos ISOFIX-liittimiä käytetään, varmista, että molempien liittimien merkkipärit ovat kokonaan vihreitä, kun ne on kiinnitetty kiinnityspisteisiin. 46 -1
- ! Tukijalka on asennettava oikein niin, että vihreä ilmaisin on näkyvissä. 46 -3
- ! Parannettua lapsen turvaistuinta ei voi käyttää, jos ajoneuvon turvavyön solki (naaras-solkipää) on liian pitkä parannetun lapsen turvajärjestelmän pitävään ankkurointiin. 46 -4

Irrota pehmyttarvikkeet

Katso kuvat 47 - 52

Paina punaista painiketta soljen avaamiseksi. 47
Seuraa vaiheita 48 - 52 irrottaaksesi pehmeät tavarat.
Kiinnittäaksesi pehmyttarvikkeet takaisin pakoilleen, toista yllä esitetyt vaiheet käänteisessä järjestyksessä.

Hoito ja kunnossapito

Pese istuimen päällinen ja sisäpehmuste kylmällä vedellä alle 30 °C:ssa.

Älä silitä pehmusteita.

Älä valkaise tai kuivapese pehmyttarvikkeita.

Älä käytä laimentamatonta pesuainetta, bensiiniä tai muita orgaanisia liuottimia lapsen turvaistuimen pesemiseen. Se voi vahingoittaa lasten turvaistuinta.

Älä kierrä istuimen päällystä ja sisäpehmusteita niiden kuivaamiseksi. Istuimen päällykseen ja sisäpehmusteisiin voi jäädä ryppyjä.

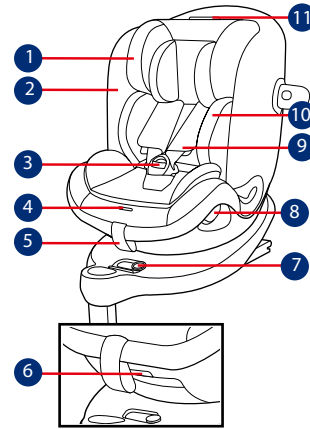
Ripusta istuimen päällys ja sisäpehmusteet varjoon kuivumaan.

Irrota lapsen turvajärjestelmä ajoneuvon penkistä, jos sitä ei käytetä pitkään aikaan. Säilytä lasten turvaistuinta viileässä, kuivassa paikassa, johon lapsilla ei ole pääsyä.

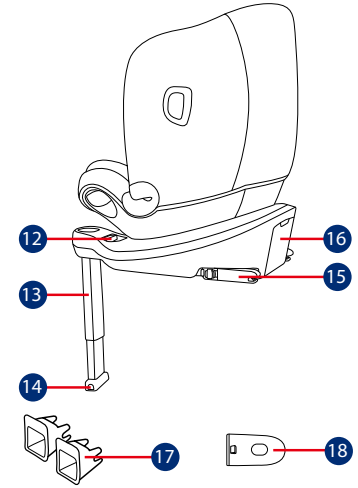
Älä peukaloi valjaiden liittimiä puhdistuksen aikana.

gracobaby.eu

www.gracobaby.pl



- 1 Fejtámasz
- 2 Ülőpárna
- 3 Csat
- 4 Pánt állító gomb
- 5 Állító háló
- 6 Dőlésszög állítási gomb
- 7 Forgózár
- 8 Forgatás gomb
- 9 Vállheveder burkolatok
- 10 Csecsemő betét



- 11 Fejtámasz állítókar
- 12 ISOFIX állítógomb
- 13 Terhelő láb
- 14 Terhelő láb állító gomb
- 15 ISOFIX csatoló
- 16 Használati utasítás tároló
- 17 ISOFIX rögzítés vezeték
- 18 Oldalütközés elleni védelem
*csak ajtó oldalán használható

HU FONTOS

HASZNÁLAT ELŐTT OLVASSA EL FIGYELMESEN EZEKET AZ UTASÍTÁSOKAT ÉS TARTSA MEG A JÖVŐBENI HASZNÁLATRA. AMENNYIBEN NEM KÖVETI EZEKET AZ UTASÍTÁSOKAT, EZ BEFOLYÁSOLHATJA A GYEREK BIZTONSÁGÁT.

▲ FIGYELMEZTETÉS:

FONTOS, ŐRIZZE MEG A KÉSŐBBI HIVATKOZÁSHOZ: FIGYELMESEN OLVASSA EL.

LEGYEN tudomása róla, hogy a kemény elemek és a fejlett gyerekülés műanyag alkatrészei olyan helyen legyenek szerelve, hogy azokat ne csíphesse be mozgó ülés vagy a gépkocsi ajtója.

NE használja az előrenéző fejlett gyerekülés rendszert olyan ülés helyzetben ahol aktív első légszák van szerelve.

Ahhoz, hogy ezt fejlett gyerekülést az UN 129/03. számú Szabványnak megfelelően tudja használni, a gyermekének a következő követelményeknek kell megfelelnie.

Hátrafelé néző üzemmód: Gyerek magassága 40cm-105cm / max 19kg;

Előre néző üzemmód: Gyerek magassága 76cm-105cm / max 19kg;

Emelőszék mód: Gyerek magassága 100cm-125cm / max 25kg;

FONTOS - NE HASZNÁLJA ELŐRENÉZŐ HELYZETBEN MIELŐTT A GYEREK BETÖLTI A 15 HÓNAPOT (Lásd az útmutatásokat).

Előfordulhat, hogy a továbbfejlesztett gyerekülés nem minden jóváhagyott járműben fér el a tárolórekeszek vagy a jármű tetején lévő korlátozott hely miatt. Kétség esetén forduljon a kiskereskedőjéhez, vagy keressen meg minket.

Bármely szíjpánt amely a fejlett gyerekülést a gépkocsihoz rögzíti feszített kell legyen, minden tartóláb a gépkocsi padlójával kell érintkezzen, minden szíjpánt amely a gyereket tartja a gyerek testéhez kell legyen igazítva és a szíjpántok ne csavarodjanak meg.

Miután a gyereket a fejlett gyerekülésbe helyezte, a biztonsági övet helyesen kell használni. Bármilyen csípőhámot használjon lent, úgy tegye, hogy a medence szorosan álljon.

A fejlett gyerekülést ki kell cserélni amennyiben az baleset során erős stressznek volt kitéve. Egy baleset okozhat olyan sérülést, amelyet nem láthat.

Vegye figyelembe annak veszélyét, hogy bármilyen módosítást vagy hozzáadást végezzen az eszközön a megfelelő hivatal engedélye nélkül, és annak veszélyét hogy ha nem követi pontosan a szerelési

útmutatót, amelyet a gyerekülés gyártója bocsátott rendelkezésére. Kérjük tartsa ezt a fejlett gyerekülést távol napsütéstől, mert túlforrósodhat a gyerek bőre számára. Mindig érintse meg a fejlett gyerekülést, mielőtt a gyereket behelyezné.

SOHA ne hagyja a gyermekét felügyelet nélkül ebben a fejlett gyerekülésben.

Minden csomagot vagy más olyan tárgyat amely ütközés esetén sérülést okozhat, megfelelően rögzíteni kell.

A fejlett gyerekülést NE HASZNÁLJA a puha belsők nélkül.

A puha belsőket nem szabad mással kicserélni, mint a gyártó által ajánlottal, mert a puha belső a gyerekülés szerves része.

Vásárlás előtt kérjük ellenőrizze, hogy a fejlett gyerekülés megfelelően beszerelhető a gépkocsijába.

SEMILYEN fejlett gyerekülés nem biztosít teljes védelmet egy baleset esetén. Ennek ellenére ennek a fejlett gyerekülésnek megfelelő használata csökkenti a gyerek súlyos sérülésének vagy halálának esélyét.

NE szerelje fel ezt a fejlett gyerekülést anélkül, hogy követné a jelen kézikönyv utasításait, másképp komoly sérülés vagy halálveszélynek teheti ki a gyermekét.

NE használja ezt a fejlett gyerekülést

ha sérült, vagy részei hiányoznak.

NE öltöztesse a gyermekét nagy méretű ruhába, ez megakadályozhatja, hogy , megfelelően bekösse a váll hámszíjakat és a lába közötti övet.

Az utasításokat a továbbfejlesztett gyermekbiztonsági rendszerről annak élettartama alatt meg kell őrizni.

Kérjük figyeljen az utasításokra és figyelmeztetésekre is, amelyek a gyártó kézikönyvében található.

Termékinformáció

Szerelés ISOFIX rendszerrel

1. Ez egy i-Size Fejlett Gyerekülés Rendszer. Az UN 129. számú Szabványnak megfelelően engedélyezett a használata egy i-Size kompatibilis gépkocsiülésben, ahogy azt a gépkocsi gyártója leírja a használati utasításban.
2. Amennyiben kétsége lenne, tanácskozzon a Fejlett Gyerekülés Rendszer gyártójával vagy eladójával.

3 pontos övvel történő beszereléshez 3 pontos övvel + ISOFIX rendszerrel történő beszereléshez

1. Ez egy i-Size emelőszék Fejlett Gyerekülés Rendszer. Az ENSZ 129 számú előírása szerint elsősorban az "i-Size ülés helyzetekben" történő

használatra van jóváhagyva, ahogyan azt a járműgyártók a jármű használati útmutatójában feltüntetik.

2. Amennyiben kétsége lenne, tanácskozzon a Fejlett Gyerekülési Rendszer gyártójával vagy eladójával.

Anyag	Műanyag, fém, szövet
Szabványszám	Szabvány fenntartott

Szerelési problémák

Lásd a képeket **1** - **4**

Használja az oldalsó ütésvédőt

Lásd a képeket **5** - **6**

! A fejlett gyerekülést eltávolítható oldalsó ütésvédővel szállítják. Helyezze be az oldalsó ütközésgátlót az ajtóhoz legközelebbi oldalon. A szerelés látható itt **5**.

- 6** Nyomja meg a kiengedő gombot, hogy eltávolítsa az oldalsó ütésvédelmet.

Magasság állítása fejtámasznak és vállhámszíjnak

Lásd a képeket **7** - **10**

! Kérjük állítsa be a fejtámaszt és ellenőrizze, hogy a vállhámszíjak a helyes magasságban vannak **7** **8** **9** **10** szerint.

! Amikor hátranéző módban használja, a vállhámszíj magassága a gyerek vállával egy vonalban vagy az alatt kell legyen. **7**

! Amikor előre néző módban használja, a vállhámszíj magassága a gyerek vállával egy vonalban vagy az alatt kell legyen. **8**

! Amikor emelőszék módban használja, a vállhámszíj vezetők a gyerek vállával egy vonalban kell legyenek. **9**

! Nyomja meg a fejtámasz állító fogantyút és közben húzza fel vagy nyomja le a fejtámaszt amíg a **7** pozíció egyikébe bekattan, amint itt **10** látható.

Döntés állítás

Lásd a képeket **11** - **13**

! Nyomja meg a döntésállító gombot, hogy a fejlett gyerekülést a megfelelő

helyzetbe állítsa. **11** **12** **13**

! A hátrafelé és előre felé néző módban egyaránt használható 6 dőlésszögű pozíció. **12** **13**

Bázis szerelése

Lásd a képeket **14** - **20**

! Helyezze be az ISOFIX vezetőket a szerelés segítéséhez. **14**

! Nyomja meg az ISOFIX állító gombot, az ISOFIX kinyújtásához. **16** -1& **16** -2

! Győződjön meg, hogy mindkét ISOFIX csatoló biztonságosan csatlakozik az ISOFIX rögzítő pontokhoz. Az ISOFIX csatolókon levő mindkét jelző teljesen zöld kell legyen. **17** -1

! Nyomja meg újra az ISOFIX állító gombokat, miközben a szék hátát addig nyomja hátra amíg a gépkocsi ülésének hátához ér.

! Miután rögzítette az ISOFIX rendszert húzza a lábat a padló felé. Amikor a terhelő láb jelzése zöld, a terhelő láb helyesen van beszerelve. **17** -2

! Szorítsa meg a terhelő láb kioldó gombját, majd állítsa be a terhelő láb hosszát. **17** -3

! Mindig győződjön meg arról, hogy a támasztóláb közvetlenül érintkezik a padlóval, és akkor is

reteszelt helyzetben van, amikor a gyermek nincs benne.

Az alap eltávolítása

! Az alap eltávolításához a gépkocsiból nyomja meg az ISOFIX kioldó gombot és húzza el az alapot az üléstől. Ezután nyomja meg és engedje fel a csatolókat a gépkocsi ISOFIX rendszeréből. **19**

! A szállítás közbeni sérülések elkerülése érdekében nyomja meg az ISOFIX-beállító gombot **20** -1, és hajtsa be teljesen a csatlakozót. **20** -2

Hátranéző mód használata

(A gyere magassága 40cm-105cm/ A gyerek súlya ≤ 19kg/csecsemő - kb 4 év)

Lásd a képeket **21** - **30**

! Szerelje a fejlett gyerekülést a gépkocsi hátulsó ülésébe ezután helyezze bele a gyereket.

! Kérjük csúsztassa a Smart zárót balra, amikor a fejlett gyerekülést hátranéző módban használja. **21**

! Nyomja meg az ISOFIX állító gombot és húzza el az alapot az üléstől. **22**

! Nyomja meg a forgó gombot

hogy elfordítsa a könnyebb oldalsó behelyezésére/kivételére a gyerekek, maj fordítsa vissza a hátranező irányba. **23 24**

! Nyomja meg a forgó gombot mindkét oldalon, hogy elfordítsa a fejlett gyerekülést.

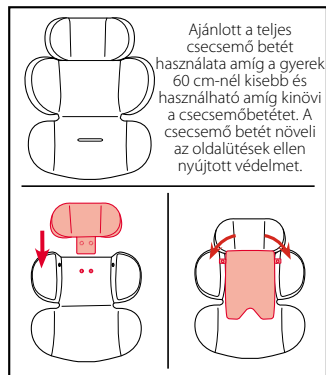
A gyermek rögzítése

! A vállhámcsíj hosszításához nyomja meg a hámszálító gombot, miközben kihúzza a vállhámcsíjat, hogy meglazítsa. **25**

! Nyissa ki az hevedert megnyomva a piros gombot.

! Rögzítse a csatokat az ülés mindkét oldalán, ahol a csatjelzések vannak **27**, hogy a gyerek hátra - néző elhelyezése könnyebb legyen.

Csecsemő betét használata



! Helyezze a gyereket a fejlett gyerekülésbe és mindkét kezét fűzze be a hámszíjakba.

! Csatolja be a csatot. Kérjük tanulmányozza **28**

! Húzza le az állító hálót és állítsa a megfelelő hosszra, hogy a gyerek biztonságban legyen. **29**

! Mindig rögzítse a gyereket a hámszíjakba és megfelelően szorítsa meg, eltávolítva a lógó részeket.

! Győződjön meg, hogy a gyerek és a vállhámcsíj közötti távolság körülbelül egy kézvastagságnyi.

! Mindig győződjön meg arról, hogy az ülés zárt helyzetben van (hátrafelé néző / előre néző), még akkor is, ha a gyermek nincs benne.

Előrenéző mód használata

(Gyermek magassága 76cm-105cm/gyermek súlya ≤ 19kg/15 hónap - kb. 4 éves korig)

Lásd a képeket **31 - 38**

! Szerelje a fejlett gyerekülést a gépkocsi hátulsó ülésébe ezután helyezze bele a gyereket.

! Kérjük csúsztassa a Smart zárót jobbra, amikor a fejlett gyerekülést előrenéző módban használja. **31**

! Nyomja meg a forgó gombot hogy elfordítsa a könnyebb oldalsó behelyezésére/kivételére a gyerekek, maj fordítsa vissza a hátranező irányba. **32 33**

! Nyomja meg a forgató gombot mindkét oldalon, hogy elfordítsa a fejlett gyerekülést.

A gyermek rögzítése

! A vállhámcsíj hosszításához nyomja meg a hámszálító gombot, miközben kihúzza a vállhámcsíjat, hogy meglazítsa. **34**

! Nyissa ki a hámszíjak csatját a vörös gomb megnyomásával. **35**

! Távolítsa el a csecsemő betétet előrenéző módban. **36**

! Helyezze a csatnyelveket a továbbfejlesztett gyermekbiztonsági rendszer külső oldalára úgy, hogy a nyelvek a helyükön maradjanak.

! Helyezze a gyereket a fejlett gyerekülésbe és mindkét kezét fűzze be a hámszíjakba.

! Csatolja be a csatot.

! Húzza le az állító hálót és állítsa a megfelelő hosszra, hogy a

gyerek biztonságban legyen.

37

! Mindig győződjön meg arról, hogy az ülés zárt helyzetben van (hátrafelé néző / előre néző), még akkor is, ha a gyermek nincs benne.

! Az ISOFIX csatlakozókat hozzá kell csatolni és rögzíteni az ISOFIX csatoló pontokhoz. **38 -1**

! A terhelő lábat helyesen, zöld jelzéssel kell felszerelni. **38 -2**

! Mindig rögzítse a gyereket a hámszíjakba és megfelelően szorítsa meg, eltávolítva a lógó részeket.

! NE használja az előre néző módot, amíg a gyermek nincs legalább 76 cm ÉS 15 hónapos.

Az emelőszék mód használata

(Gyermek magassága 100cm-125cm / Gyerek súlya ≤ 25kg)

Lásd a képeket **39 - 46**

! Szerelje a fejlett gyerekülést a gépkocsi hátulsó ülésébe ezután helyezze bele a gyereket.

! Kérjük csúsztassa a Smart zárót jobbra, amikor a fejlett gyerekülést emelőszék módban használja. **39**

A gyermek rögzítése

- ! Nyissa ki a hámszíjak csatját a vörös gomb megnyomásával. **40**
- ! Távolítsa el a csecsemő betétet emelőszék módban.
- ! Tegye el az ágyéksíjat, a vállpántot a borítással együtt a rekeszekbe. **42 44**
- ! Állítsa be a fejtámlát úgy, hogy a fejtámla alja a gyermek vállával egy magasságban legyen.
- ! Csatolja be magát a jármű övével.
- ! A vállszíjnak a vállszíjvezetőn keresztül kell menni. **46** -2
- ! Az ISOFIX csatolókon levő mindkét jelző teljesen zöld kell legyen.
- ! Az ISOFIX csatlakozókkal való felszerelés az ülésmagasító módban opcionális. ISOFIX csatlakozók használata esetén győződjön meg arról, hogy mindkét csatlakozó jelzőszíne teljesen zöld, amikor a rögzítési pontokhoz csatlakozik. **46** -1
- ! A terhelő lábat helyesen, zöld jelzéssel kell felszerelni. **46** -3
- ! A fejlett gyerekülés nem használható ha a gépkocsi biztonsági övének csatja (anya) túl hosszú ahhoz hogy a fejlett gyerekülést biztonságosan

rögzítse. **46** -4

A puha belsők eltávolítása

Lásd a képeket **47** - **52**

A csat kiengedéséhez nyomja meg a piros gombot. **47**

A puha belsők eltávolításához kövesse az alábbi lépéseket **48** - **52**.

A puha belsők újbóli felszereléséhez kérjük ismétlje meg a lépéseket fordított sorrendben.

Gondozás és karbantartás

Kérjük mossa a puha belsőt és a belső bélést hideg vízzel 30°C alatt.

Ne vasalja a puha belsőt.

Ne fehéritse vagy ne tisztítsa a puha belsőt.

Ne használjon hígítatlan mosószert, benzint vagy más szerves oldószert a gyerekülés mosásához. Ezek károsíthatják a gyerekülést.

Ne csavarja az ülészutatot vagy a belső bélést, hogy ezzel megszárita. Ráncos maradhat az ülészutat és a belső bélés.

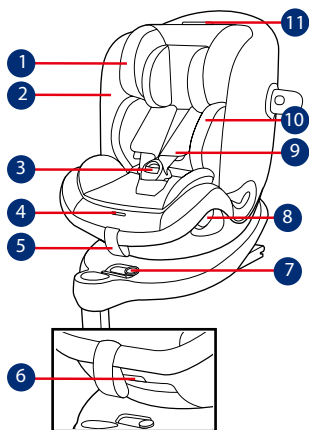
Kérjük terítse ki száradni az árnyékba az ülészutatot és a belső bélést.

Amennyiben hosszú ideig nem használja a gyerekülést, kérjük vegye ki a gépkocsiból. Tegye a gyerekülést hűvös, száraz helyre, ahol a gyermek nem érheti el.

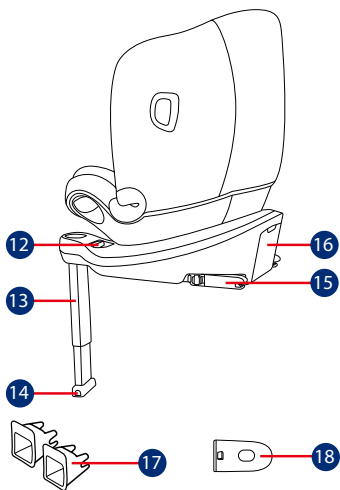
Tisztítás közben vigyázzon a hámszíj csatolókra.

gracobaby.eu

www.gracobaby.pl



- 1 Suport pentru cap
- 2 Pernă de scaun
- 3 Cataramă
- 4 Buton de reglaj ham
- 5 Chingă de reglaj
- 6 Buton de reglare a înclinării
- 7 Blocare pivotare
- 8 Buton rotație
- 9 Capace pentru hamul de umăr
- 10 Insertie pentru sugari



- 11 Manetă de reglare a suportului pentru cap
- 12 Buton de reglaj ISOFIX
- 13 Picior de fixare
- 14 Buton de reglaj picior de fixare
- 15 Conector ISOFIX
- 16 Depozitare manual de instrucțiuni
- 17 Ghidaje pentru atașarea conectorilor ISOFIX
- 18 Protecția împotriva impactelor laterale

*trebuie utilizat numai pe partea laterală a ușii

RO IMPORTANT

CITIȚI ACESTE INSTRUCȚIUNI CU ATENȚIE ÎNAINTE DE UTILIZARE ȘI PĂSTRAȚI-LE PENTRU CONSULTARE ULTERIOARĂ. SIGURANȚA COPILULUI POATE FI AFECTATĂ DACĂ NU RESPECTAȚI ACESTE INSTRUCȚIUNI.

⚠ATENȚIE: IMPORTANT, PĂSTRAȚI PENTRU CONSULTARE ULTERIOARĂ: CITIȚI CU ATENȚIE.

Aveți grijă ca articolele rigide și componentele din plastic ale sistemului de siguranță să fie amplasate și instalate astfel încât să nu poată fi prinse de un scaun mobil sau de o ușă a vehiculului.

NU utilizați sistemele de siguranță îmbunătățite pentru copiii orientați în spate în raport cu direcția de deplasare a vehiculului în poziții de ședere în care este instalat un airbag frontal.

Pentru a utiliza acest sistem de siguranță îmbunătățit pentru copii în conformitate cu Regulamentul ONU Nr. 129/03, copilul trebuie să îndeplinească următoarele cerințe.

Modul de orientare spre spate:
Înălțimea copilului 40cm -105 cm/
max. 19kg

Modul de orientare spre înaintea:
Înălțimea copilului 76 cm -105 cm/
max. 19kg

Modul înălțător: Înălțimea copilului
100cm -125cm/max. 25kg

IMPORTANT - NU UTILIZAȚI SCAUNUL CU FAȚA ÎNAINTE PENTRU COPII CU VÂRSTE MAI MICI DE 15 luni (Consultați instrucțiunile).

Este posibil ca sistemul de siguranță îmbunătățit pentru copii să nu se potrivească în toate vehiculele omologate, din cauza compartimentelor de depozitare sau a spațiului limitat la nivelul acoperișului vehiculului. În caz de îndoială, adresați-vă comerciantului dumneavoastră sau contactați-ne.

Curelele care fixează sistemul îmbunătățit de siguranță pentru copii pe vehicul trebuie strânse, astfel încât piciorul de fixare să fie în contact cu podeaua vehiculului, încât curelele care fixează copilul trebuie ajustate pe corpul copilului și încât curelele să nu fie răsucite.

După plasați copilul în acest sistem de siguranță îmbunătățit pentru copii, cureaua trebuie utilizată corect. Asigurați-vă că orice curea pentru genunchi este plasată jos, astfel încât pelvisul să fie cuplat ferm, fixat.

Dispozitivul trebuie să fie schimbat dacă a fost supus unor tensiuni violente în caz de accident. Un accident poate cauza daune pe care nu le puteți vedea.

Luați în considerare pericolul de

a face modificări sau adăugări la dispozitiv fără aprobarea autorității competente, cât și pericolul de a nu urmări îndeaproape instrucțiunile de instalare furnizate de producătorul sistemului de siguranță îmbunătățit pentru copii.

Vă rugăm să păstrați acest sistem de siguranță îmbunătățit pentru copii departe de lumina soarelui, în caz contrar poate fi prea fierbinte pentru pielea copilului. Atingeți întodeauna sistemul de siguranță îmbunătățit pentru copii înainte de a pune copilul în acesta.

NICIODATĂ nu lăsați copilul nesupravegheat în sistemul de siguranță îmbunătățit pentru copii.

Orice bagaje sau alte obiecte care ar putea cauza răniri în cazul unui accident trebuie fixate corespunzător.

Sistemul îmbunătățit de siguranță pentru copii NU TREBUIE utilizat fără componentele moi.

Componentele moi nu trebuie să fie înlocuite decât cu cele recomandate de producător, deoarece componentele moi sunt parte integrantă a performanței sistemului de fixare.

Verificați dacă acest sistem îmbunătățit de siguranță pentru copii poate fi instalat corect în vehiculul dvs. înainte de a-l achiziționa.

NICIUN sistem de siguranță

îmbunătățit pentru copii poate garanta protecția completă împotriva rănirii în caz de accident. Cu toate acestea, utilizarea corectă a acestui sistem de siguranță îmbunătățit pentru copii va reduce riscul rănirii grave sau al decesului copilului.

NU instalați acest sistem de siguranță îmbunătățit pentru copii fără a urma instrucțiunile din acest manual sau vă puteți pune copilul într-un pericol grav de rănire sau deces.

NU utilizați acest sistem de siguranță îmbunătățit pentru copii dacă acesta are componente deteriorate sau lipsă.

NU îmbrăcați copilul cu haine largi/ prea mari, deoarece acest lucru poate împiedica fixarea corectă și sigură a copilului de curelele pentru umeri și de cureaua pentru coapse între picioare.

Instrucțiunile trebuie păstrate împreună cu sistemul de siguranță de-a lungul întregii sale durate de viață.

De asemenea, acordați atenție instrucțiunilor și avertismentelor din manualul producătorului vehiculului.

Informații referitoare la produs

Pentru instalare cu sistem ISOFIX

1. Acesta este un sistem îmbunătățit

de siguranță pentru copii i-Size. Acesta este omologat în temeiul regulamentului ONU nr. 129 pentru utilizare în poziții așezate într-un vehicul compatibil i-Size, astfel cum este indicat de către producătorul vehiculului în manualul utilizatorului vehiculului.

2. În caz de nelămuriri, consultați fabricantul sau vânzătorul sistemului de siguranță îmbunătățit pentru copii.

Pentru instalare cu centură în 3 puncte

Pentru instalare cu centură în 3 puncte + sistem ISOFIX

1. Acesta este scaun înălțător cu sistem de siguranță îmbunătățit pentru copii i-Size. Este aprobat în conformitate cu Regulamentul ONU nr. 129, pentru utilizare în primul rând în „poziții de ședere i-Size” conform indicațiilor producătorilor de vehicule din manualul de utilizare a vehiculului.

2. În caz de nelămuriri, consultați fabricantul sau vânzătorul sistemului de siguranță îmbunătățit pentru copii.

Materiale Plastic, metal, textile

Nr. brevet Brevet în așteptare

Aspecte referitoare la montaj

Consultați imaginile 1 - 4

Utilizați scutul de impact lateral

Consultați imaginile 5 - 6

! Sistemul de siguranță îmbunătățit pentru copii este livrat cu o capsulă de protecție la impact lateral detașabilă. Introduceți capsula de protecție la impact lateral pe partea cea mai apropiată de ușă. Instalarea este prezentată în 5.

6 Apăsați butonul de eliberare pentru a îndepărta protecția de impact lateral.

Reglarea înălțimii pentru suportul pentru cap și hamurile de umăr

Consultați imaginile 7 - 10

! Reglați suportul pentru cap și verificați dacă hamurile de umăr se află la înălțimea corectă, conform 7 8 9 10.

! Atunci când sunt utilizate în modul orientat spre spate, fantele hamurilor pentru umeri trebuie să fie chiar la nivel sau imediat sub umerii copilului. 7

! Când sunt utilizate în modul orientat cu fața la direcția de

mers, înălțimea hamului de umăr trebuie să fie la nivelul sau chiar deasupra părții superioare a umerilor copilului. **8**

! Când sunt utilizate în modul scaun înălțător, ghidajele hamurilor de umăr trebuie să fie chiar la nivelul umerilor copilului. **9**

! Trageți maneta de reglare a suportului pentru cap în timp ce trageți în sus sau împingeți în jos suportul pentru cap până când se fixează în una dintre cele 7 poziții, conform **10**.

Reglarea înclinării

Consultați imaginile **11** - **13**

! Apăsăți butonul de reglare a înclinării pentru a regla sistemul de siguranță pentru copii în poziția dorită. **11** **12** **13**

! Există 6 poziții de înclinare care pot fi utilizate pentru modulurile cu fața înapoi și cu fața înainte. **12** **13**

Instalarea bazei

Consultați imaginile **14** - **20**

! Introduceți ghidaje de atașare ISOFIX pentru a vă ajuta la instalare. **14**

! Apăsăți pe butonul de ajustare

ISOFIX pentru a plia ISOFIX.

16 -1 & **16** -2

! Asigurați-vă că ambii conectori ISOFIX sunt atașați în siguranță în punctele de ancorare ISOFIX. Culoarele indicatorilor de pe ambii conectori ISOFIX trebuie să fie complet verzi. **17** -1

! Apăsăți din nou butoanele de reglare ISOFIX și împingeți scaunul înapoi până când vine în contact cu spătarul scaunului vehiculului.

! După fixarea ISOFIX, trageți piciorul de susținere în jos, până la podea. Când indicatorul piciorului de fixare indică verde înseamnă că este instalat corect. **17** -2

! Strângeți butonul de eliberare a piciorului de fixare, apoi reglați lungimea piciorului de fixare. **17** -3

! Asigurați-vă întotdeauna că piciorul de fixare are contact direct cu podeaua și este în poziție blocată, chiar și atunci când copilul nu se află în el.

Scoaterea bazei

! Pentru a scoate din vehicul apăsați butonul de reglare ISOFIX și trageți baza de la scaun. Apoi apăsați și eliberați conectorii din sistemul ISOFIX al vehiculului. **19**

! Pentru a preveni deteriorarea în timpul transportului, apăsați butonul de reglare ISOFIX **20** -1 și pliați conectorul complet. **20** -2

Utilizarea în modul de orientare spre spate (Înălțimea copilului 40 cm-105 cm/Greutatea copilului ≤19 kg/sugar - aprox. 4 ani)

Consultați imaginile **21** - **30**

! Instalați sistemul îmbunătățit de siguranță pentru copii pe scaunul din spate al vehiculului, apoi puneți copilul în sistemul îmbunătățit de siguranță pentru copii.

! Glisați blocarea Smart spre stânga atunci când sistemul de siguranță îmbunătățit pentru copii este utilizat în modul de orientare spre spate. **21**

! Apăsăți butonul de reglare ISOFIX și trageți baza de pe scaunul vehiculului. **22**

! Apăsăți butonul de rotație pentru a roti scaunul, pentru o încărcare/descărcare laterală mai ușoară a copilului, apoi rotiți scaunul în poziția orientată spre spate. **23** **24**

! Apăsăți butonul de rotație de pe ambele părți pentru a roti scaunul îmbunătățit de siguranță pentru copii.

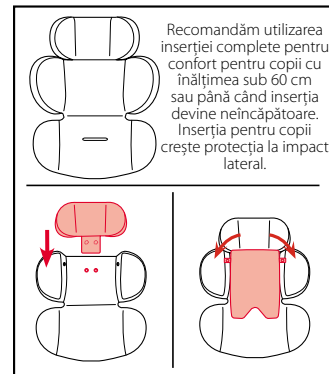
Asigurarea copilului

! Pentru a prelungi centurile hamului, apăsați butonul de reglare a hamului în timp ce scoateți hamurile umărului, pentru a le slăbi. **25**

! Deblocați hamul apăsând butonul roșu.

! Fixați cataramele pe ambele părți ale scaunului, unde se găsesc marcajele **27**, pentru o comoditate sporită a plasării copilului în modul de orientare spre spate.

Folosirea inserției pentru copii



! Așezați copilul în sistemul de siguranță îmbunătățit pentru

copii și treceți ambele brațe ale copilului prin hamuri.

- ! Cuplați catarama. Consultați **28**
- ! Trageți în jos husa de reglare și reglați hamul astfel încât copilul să fie bine fixat. **29**
- ! Mențineți întotdeauna copilul fixat în ham și strâns în mod corespunzător prin îndepărtarea oricăruj joc.
- ! Asigurați-vă că spațiul dintre copil și curelele hamului de umăr este de aproximativ o mână.
- ! Asigurați-vă întotdeauna că scaunul este în poziție blocată (orientare spre spate/orientare înainte) chiar și atunci când copilul nu se află în el.

Utilizarea în modul de orientare înainte (Înălțimea copilului 76 cm- 105 cm/Greutatea copilului ≤ 19 kg/15 luni - aprox. 4 ani)

Consultați imaginile **31** - **38**

- ! Instalați sistemul îmbunătățit de siguranță pentru copii pe scaunul din spate al vehiculului, apoi puneți copilul în sistemul

îmbunătățit de siguranță pentru copii.

- ! Glisați blocarea Smart spre dreapta atunci când sistemul de siguranță îmbunătățit pentru copii este utilizat în modul de orientare spre înainte. **31**
- ! Apăsăți butonul de rotație pentru a roti scaunul, pentru o încărcare/descărcare laterală mai ușoară a copilului, apoi rotiți scaunul în poziția orientată înainte. **32 33**
- ! Apăsăți butonul de rotație de pe ambele părți pentru a roti scaunul îmbunătățit de siguranță pentru copii.

Asigurarea copilului

- ! Pentru a prelungi centurile hamului, apăsați butonul de reglare a hamului în timp ce scoateți hamurile umărului, pentru a le slăbi. **34**
- ! Deblocați catarama hamurilor apăsând butonul roșu. **35**
- ! Scoateți inserția pentru sugari când scaunul este în modul orientat înainte. **36**
- ! Așezați limbile cataramelor pe partea exterioară a sistemului de siguranță pentru copii, astfel încât acestea să fie fixate.
- ! Așezați copilul în sistemul de siguranță îmbunătățit pentru

copii și treceți ambele brațe ale copilului prin hamuri.

- ! Cuplați catarama.
- ! Trageți în jos husa de reglare și reglați hamul astfel încât copilul să fie bine fixat. **37**
- ! Asigurați-vă întotdeauna că scaunul este în poziție blocată (orientare spre spate/orientare înainte) chiar și atunci când copilul nu se află în el.
- ! Conectorii ISOFIX trebuie atașați și blocați pe punctele de ancorare ISOFIX. **38** -1
- ! Piciorul de fixare trebuie instalat corect cu indicatorul verde. **38** -2
- ! Mențineți întotdeauna copilul fixat în ham și strâns în mod corespunzător prin îndepărtarea oricăruj joc.
- ! NU folosiți orientarea spre înainte, cu excepția cazului în care copilul dvs. are înălțimea de cel puțin 76 cm și vârsta de 15 luni.

Utilizarea în modul scaun înălțător (înălțimea cuprinsă între 100 cm - 125 cm/greutatea ≤ 25 kg)

Consultați imaginile **39** - **46**

! Instalați sistemul îmbunătățit de siguranță pentru copii pe scaunul din spate al vehiculului, apoi puneți copilul în sistemul îmbunătățit de siguranță pentru copii.

! Glisați blocarea Smart spre dreapta atunci când sistemul de siguranță îmbunătățit pentru copii este utilizat în modul scaun înălțător. **39**

Asigurarea copilului

- ! Deblocați catarama hamurilor apăsând butonul roșu. **40**
- ! Îndepărtați inserția pentru sugari în modul scaun înălțător.
- ! Depozitați cureaua pentru coapse, cureaua pentru umăr cu husele în compartimente. **42 44**
- ! Reglați tetiera astfel încât partea inferioară a tetierei să fie la nivelul cu umerii copilului.
- ! Conectați catarama la centura vehiculului.
- ! Centura de umăr trebuie să treacă prin ghidajul centurii de umăr. **46** -2
- ! Culoarele indicatorilor de pe ambii conectori ISOFIX trebuie să fie complet verzi.
- ! Instalarea cu conectori ISOFIX în modul scaun pentru copil este opțională. Dacă utilizați

conectori ISOFIX, asigurați-vă că indicatorii de pe ambii conectori sunt complet verzi atunci când sunt atașați la punctele de ancorare. **46** -1

! Piciorul de fixare trebuie instalat corect cu indicatorul verde. **46** -3

! Sistemul îmbunătățit de siguranță pentru copii nu poate fi utilizat dacă catarama centurii de siguranță a vehiculului (capătul cataramii mamă) este prea lungă pentru a ancora fix sistemul de siguranță pentru copii. **46** -4

Demontarea părților moi

Consultați imaginile **47** - **52**

Apăsăți butonul de culoare roșie pentru a decupla catarama. **47**

Urmați pașii **48** - **52** pentru a detașa componentele moi.

Pentru a reatașa componentele moi, reparați pașii de mai sus în ordine inversă.

Îngrijire și întreținere

Spălați componentele moi și căptușeala interioară cu apă rece, sub 30°C.

Nu călcați componentele moi.

Nu înălbiți sau nu curățați chimic componentele moi.

Nu utilizați detergenți nediluțați, benzină sau alți solvenți organici pentru a spăla sistemul de siguranță pentru copii. Aceasta poate cauza deteriorarea sistemului de siguranță pentru copii.

Nu storceți husa scaunului și căptușeala interioară pentru a le usca. Poate lăsa cute în husa scaunului și căptușeala interioară.

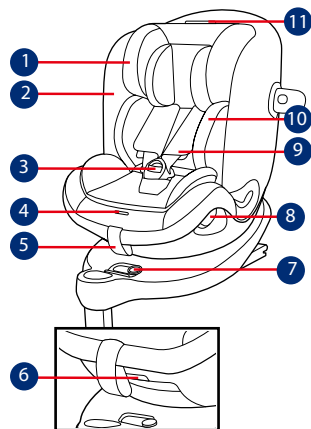
Lăsați husa scaunului și căptușeala interioară să se usuce în aer liber, la umbră.

Îndepărtați sistemul de siguranță pentru copii de pe scaunul vehiculului dacă nu îl folosiți pentru o perioadă lungă de timp. Puneți sistemul de siguranță pentru copii într-un loc răcoros și uscat și unde copilul nu îl poate accesa.

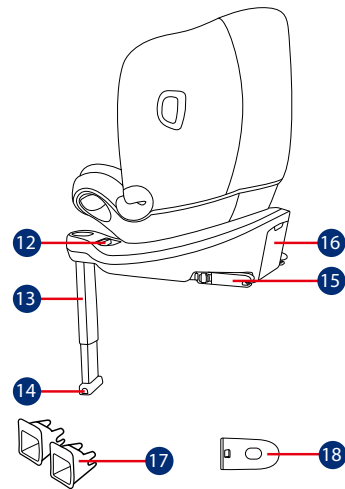
Nu manipulați conectorii cablajului în timpul curățării.

gracobaby.eu

www.gracobaby.pl



- 1 Στήριγμα κεφαλιού
- 2 Μαξιλάρι καθίσματος
- 3 Πόρπη
- 4 Κουμπί ρύθμισης ιμάντα
- 5 Ιμάντας ρύθμισης
- 6 Κουμπί ρύθμισης ανάκλισης
- 7 Ασφάλεια περιστροφής
- 8 Κουμπί περιστροφής
- 9 Καλύμματα ιμάντα ώμου
- 10 Ένθεμα βρέφους



- 11 Μοχλός ρύθμισης στηρίγματος κεφαλιού
- 12 Κουμπί ρύθμισης ISOFIX
- 13 Σκέλος φορτίου
- 14 Κουμπί ρύθμισης σκέλους φορτίου
- 15 Σύνδεσμος ISOFIX
- 16 Αποθηκευτικός θάλαμος εγχειριδίου οδηγίων
- 17 Οδηγοί εξαρτημάτων ISOFIX
- 18 Προστασία πλευρικής σύγκρουσης
*χρήση μόνο στην πλευρά της πόρτας του οχήματος

ΕΛ ΣΗΜΑΝΤΙΚΟ

ΔΙΑΒΑΣΤΕ ΠΡΟΣΕΚΤΙΚΑ ΑΥΤΕΣ ΤΙΣ ΟΔΗΓΙΕΣ ΠΡΙΝ ΑΠΟ ΤΗ ΧΡΗΣΗ ΚΑΙ ΦΥΛΑΞΤΕ ΤΙΣ ΓΙΑ ΜΕΛΛΟΝΤΙΚΗ ΧΡΗΣΗ. ΑΝ ΔΕΝ ΑΚΟΛΟΥΘΗΣΕΤΕ ΑΥΤΕΣ ΤΙΣ ΟΔΗΓΙΕΣ, ΕΝΔΕΧΕΤΑΙ ΝΑ ΤΕΘΕΙ ΣΕ ΚΙΝΔΥΝΟ Η ΑΣΦΑΛΕΙΑ ΤΟΥ ΠΑΙΔΙΟΥ ΣΑΣ.

**▲ΠΡΟΕΙΔΟΠΟΙΗΣΗ:
ΣΗΜΑΝΤΙΚΟ, ΦΥΛΑΞΤΕ ΤΙΣ
ΟΔΗΓΙΕΣ ΓΙΑ ΜΕΛΛΟΝΤΙΚΗ
ΧΡΗΣΗ: ΔΙΑΒΑΣΤΕ ΠΡΟΣΕΚΤΙΚΑ.**

Πρέπει να γνωρίζετε ότι τα άκαμπτα αντικείμενα και τα πλαστικά μέρη του ενισχυμένου παιδικού καθίσματος ασφαλείας πρέπει να τοποθετηθούν και να εγκατασταθούν με τρόπο που να μην είναι δυνατόν να παγιδευτούν από ένα κινητό κάθισμα ή την πόρτα του οχήματος.

ΜΗΝ χρησιμοποιείτε το παιδικό κάθισμα στραμμένο προς τα πίσω σε καθίσματα οχημάτων όπου υπάρχει εγκατεστημένος ενεργός μπροστινός αερόσακος.

Για να χρησιμοποιήσετε αυτό το παιδικό κάθισμα ασφαλείας σύμφωνα με τον Κανονισμό 129/03 του ΟΗΕ, το παιδί σας θα πρέπει να πληροί τις ακόλουθες προϋποθέσεις.

Κάθισμα στραμμένο προς τα πίσω:
Ύψος παιδιού 40-105 εκ. / έως 19 κιλά.

Κάθισμα στραμμένο προς τα

μπροστά: Ύψος παιδιού 76-105 εκ. / έως 19 κιλά.

Χρήση Booster: Ύψος παιδιού 100-125 εκ. / έως 25 κιλά.

ΣΗΜΑΝΤΙΚΟ - ΜΗΝ ΤΟΠΟΘΕΤΕΙΤΕ ΤΟ ΠΑΙΔΙ ΜΕ ΤΟ ΠΡΟΣΩΠΟ ΠΡΟΣ ΤΑ ΕΜΠΡΟΣ ΠΡΟΤΟΥ ΓΙΝΕΙ 15 ΜΗΝΩΝ (Ανατρέξτε στις οδηγίες).

Το ενισχυμένο παιδικό κάθισμα ασφαλείας μπορεί να μην ταιριάζει σε όλα τα εγκεκριμένα οχήματα λόγω των χώρων αποθήκευσης ή του περιορισμένου διαθέσιμου χώρου ως την οροφή του οχήματος. Σε περίπτωση αμφιβολιών, επικοινωνήστε με τον προμηθευτή σας ή με εμάς.

Οι ιμάντες που συγκρατούν το κάθισμα ασφαλείας στο όχημα πρέπει να είναι σφιχτοί, τυχόν σκέλος στήριξης πρέπει να είναι σε επαφή με το δάπεδο του οχήματος και οι ιμάντες που συγκρατούν το παιδί πρέπει να προσαρμόζονται στο σώμα του παιδιού και δεν πρέπει να συστρέφονται.

Αφού τοποθετήσετε το παιδί σας σε αυτό το ενισχυμένο παιδικό κάθισμα ασφαλείας, η ζώνη ασφαλείας πρέπει να χρησιμοποιηθεί σωστά. Βεβαιωθείτε ότι κάθε ιμάντας μέσης φοριέται χαμηλά, έτσι ώστε η λεκάνη να συγκρατείται σταθερά σε περίπτωση καταπόνησης.

Αυτό το ενισχυμένο κάθισμα πρέπει

να αντικαθίσταται αν έχει υποστεί έντονη καταπόνηση σε περίπτωση ατυχήματος. Ένα ατύχημα μπορεί να προκαλέσει βλάβη που δεν μπορείτε να δείτε.

Αναλοιστείτε τους κινδύνους τυχόν τροποποιήσεων ή προσθηκών στο κάθισμα χωρίς την έγκριση της αρμόδιας αρχής, καθώς και τον κίνδυνο της μη τήρησης των οδηγιών εγκατάστασης που παρέχονται από τον κατασκευαστή του καθίσματος ασφαλείας.

Προστατέψτε το ενισχυμένο παιδικό κάθισμα ασφαλείας από ηλιακό φως, διαφορετικά ενδέχεται να είναι πολύ ζεστό για την επιδερμίδα του παιδιού. Ελέγχετε πάντα τη θερμοκρασία του καθίσματος πριν τοποθετήσετε το παιδί μέσα σε αυτό.

ΜΗΝ αφήνετε το παιδί σας χωρίς επίβλεψη με το συγκεκριμένο ενισχυμένο παιδικό κάθισμα ασφαλείας.

Τυχόν αποσκευές ή άλλα αντικείμενα που μπορούν να προκαλέσουν τραυματισμούς σε περίπτωση σύγκρουσης, θα πρέπει να ασφαλιζονται κατάλληλα.

Το σύστημα ενισχυμένου παιδικού καθίσματος ασφαλείας ΔΕΝ ΠΡΕΠΕΙ ΝΑ ΧΡΗΣΙΜΟΠΟΙΕΙΤΑΙ χωρίς τα υφασμάτινα στοιχεία.

Τα υφασμάτινα στοιχεία δεν πρέπει να αντικαθίστανται από οποιαδήποτε

άλλα, εκτός από εκείνα που προτείνονται από τον κατασκευαστή, καθώς τα υφασμάτινα στοιχεία αποτελούν αναπόσπαστο μέρος της απόδοσης του παιδικού καθίσματος ασφαλείας.

Πριν την αγορά, ελέγξτε εάν αυτό το ενισχυμένο παιδικό κάθισμα ασφαλείας μπορεί να εγκατασταθεί σωστά στο όχημά σας.

ΚΑΝΕΝΑ παιδικό κάθισμα ασφαλείας δεν μπορεί να εγγυηθεί πλήρη προστασία από τραυματισμούς σε περίπτωση ατυχήματος. Η ορθή ωστόσο χρήση του συγκεκριμένου παιδικού καθίσματος ασφαλείας θα μειώσει τον κίνδυνο σοβαρού τραυματισμού ή θανάτου για το παιδί σας.

ΜΗΝ εγκαταστήσετε ή χρησιμοποιήσετε αυτό το παιδικό κάθισμα ασφαλείας χωρίς να ακολουθήσετε τις οδηγίες σε αυτό το εγχειρίδιο, διαφορετικά ενδέχεται να θέσετε το παιδί σας σε σοβαρό κίνδυνο τραυματισμού ή θανάτου.

ΜΗΝ χρησιμοποιήσετε το συγκεκριμένο παιδικό κάθισμα ασφαλείας σε περίπτωση που έχει υποστεί φθορά ή του λείπουν εξαρτήματα.

ΜΗΝ φοράτε στο παιδί σας μεγάλα/ υπερμεγέθη ρούχα, καθώς αυτό μπορεί να εμποδίσει τη , σωστή ασφάλιση του παιδιού σας με τους

ιμάντες ώμων και τον ιμάντα του καβάλου.

Οι οδηγίες πρέπει να διατηρούνται στο ενισχυμένο παιδικό κάθισμα ασφαλείας καθ' όλη τη διάρκεια της χρήσης του.

Δώστε βάση στις οδηγίες και στις προειδοποιήσεις του εγχειριδίου του κατασκευαστή του οχήματος.

Πληροφορίες προϊόντος

Για εγκατάσταση με σύστημα ISOFIX

1. Το συγκεκριμένο αποτελεί ενισχυμένο Παιδικό Κάθισμα Ασφαλείας i-Size. Έχει εγκριθεί σύμφωνα με τον Κανονισμό 129 του ΟΗΕ, για χρήση σε θέσεις καθίσματος οχημάτων συμβατές με i-Size, όπως υποδηλώνεται από τους κατασκευαστές του οχήματος στο εγχειρίδιο χρήστη του οχήματος.

2. Σε περίπτωση αμφιβολίας, συμβουλευτείτε τον κατασκευαστή του παιδικού καθίσματος ασφαλείας ή τον λιανοπωλητή.

Για εγκατάσταση με ζώνη 3 σημείων

Για εγκατάσταση με ζώνη 3 σημείων + σύστημα ISOFIX

1. Το προϊόν αποτελεί σύστημα ενισχυμένου παιδικού καθίσματος ασφαλείας i-Size τύπου booster.

Έχει εγκριθεί σύμφωνα με τον Κανονισμό 129 του ΟΗΕ για χρήση κυρίως στις «Θέσεις καθίσματος i-Size» όπως υποδηλώνεται από τους κατασκευαστές του οχήματος στο εγχειρίδιο χρήστη του οχήματος.

2. Σε περίπτωση αμφιβολίας, συμβουλευτείτε τον κατασκευαστή του παιδικού καθίσματος ασφαλείας ή τον λιανοπωλητή.

Υλικά Πλαστικά, μέταλλο, υφάσματα

Αριθμός ευρεσιτεχνίας Διπλώματα ευρεσιτεχνίας σε εκκρεμότητα

Πληροφορίες εγκατάστασης

Δείτε τις εικόνες 1 - 4

Χρήση προστασίας από πλευρική σύγκρουση

Δείτε τις εικόνες 5 - 6

! Το ενισχυμένο παιδικό κάθισμα ασφαλείας παρέχεται με αφαιρούμενη προστασία από πλευρική σύγκρουση. Τοποθετήστε το εξάρτημα πλευρικής σύγκρουσης στην πλευρά που βρίσκεται πιο κοντά

στην πόρτα. Η εγκατάσταση παρουσιάζεται στην εικόνα 5.

6 Πατήστε το κουμπί αποδέσμευσης για να αφαιρέσετε την προστασία από πλευρική σύγκρουση.

Ρύθμιση ύψους για το στήριγμα κεφαλιού και τους ιμάντες ώμων

Δείτε τις εικόνες 7 - 10

! Ρυθμίστε το στήριγμα κεφαλιού και ελέγξτε εάν οι ιμάντες ώμου βρίσκονται στο σωστό ύψος σύμφωνα με την εικόνα 7 8 9 10

! Όταν χρησιμοποιείται σε θέση όπου το παιδί κοιτάζει προς τα πίσω, το ύψος των ιμάντων ώμων πρέπει να είναι στο ίδιο επίπεδο ή λίγο πιο χαμηλά από τους ώμους του παιδιού. 7

! Όταν χρησιμοποιείται σε θέση όπου το παιδί κοιτάζει προς τα μπροστά, το ύψος των ιμάντων ώμων πρέπει να είναι στο ίδιο επίπεδο ή λίγο πιο πάνω από τους ώμους του παιδιού. 8

! Όταν το κάθισμα χρησιμοποιείται στη λειτουργία Booster, το ύψος των οδηγών των ιμάντων ώμου πρέπει να είναι στο ίδιο επίπεδο με τους ώμους του παιδιού. 9

! Πιέστε τον μοχλό ρύθμισης του στήριγματος κεφαλιού σηκώνοντας ταυτόχρονα προς τα πάνω ή σπρώχνοντας προς τα κάτω το στήριγμα κεφαλιού μέχρι αυτό να κουμπώσει σε μία από τις 7 θέσεις, όπως φαίνεται στην εικόνα 10.

Ρύθμιση ανάκλισης

Δείτε τις εικόνες 11 - 13

! Πιέστε το κουμπί ρύθμισης ανάκλισης για να προσαρμόσετε το ενισχυμένο παιδικό κάθισμα ασφαλείας στην επιθυμητή θέση. 11 12 13

! Υπάρχουν 6 θέσεις ανάκλισης που μπορούν να χρησιμοποιηθούν όταν το κάθισμα χρησιμοποιείται στραμμένο προς τα πίσω ή προς τα μπροστά. 12 13

Εγκατάσταση βάσης

Δείτε τις εικόνες 14 - 20

! Εισαγάγετε τους οδηγούς ISOFIX για βοήθεια στην εγκατάσταση. 14

! Πατήστε το κουμπί ρύθμισης του συστήματος ISOFIX για να επεκτείνεται το σύστημα ISOFIX. 16 -1& 16 -2

! Βεβαιωθείτε ότι αμφότεροι οι σύνδεσμοι ISOFIX είναι συνδεδεμένοι με ασφάλεια στα σημεία αγκύρωσης ISOFIX. Τα χρώματα των δεικτών και στους δύο συνδέσμους ISOFIX πρέπει να είναι τελείως πράσινα. **17** -1

! Πατήστε ξανά τα κουμπιά ρύθμισης του συστήματος ISOFIX πιέζοντας την πλάτη του καθίσματος προς την πλάτη καθίσματος του οχήματος.

! Μετά την τοποθέτηση του ISOFIX, τραβήξτε το σκέλος φορτίου προς τα κάτω. Όταν ο δείκτης του σκέλους φορτίου δείχνει πράσινο, αυτό σημαίνει πως το σκέλος φορτίου έχει τοποθετηθεί σωστά. **17** -2

! Συμπιέστε το κουμπί αποδέσμευσης σκέλους φορτίου, στη συνέχεια ρυθμίστε το μήκος του σκέλους. **17** -3

! Να βεβαιώνετε πάντα ότι το σκέλος στήριξης έχει άμεση επαφή με το δάπεδο και ότι βρίσκεται στη θέση ασφάλισης, ακόμα και όταν το παιδί δεν κάθεται στο κάθισμα.

Αφαιρέστε τη βάση

! Για να αφαιρέσετε το κάθισμα από το όχημα, πατήστε το κουμπί ρύθμισης ISOFIX και τραβήξτε το πίσω μέρος της πλάτης από το κάθισμα.

Στη συνέχεια πιέστε και ελευθερώστε τους συνδέσμους από το σύστημα ISOFIX του οχήματος. **19**

! Για να αποφύγετε τυχόν ζημιά κατά τη μεταφορά, πατήστε το κουμπί ρύθμισης ISOFIX **20** -1 και διπλώστε τον σύνδεσμο πλήρως. **20** -2

Χρήση καθίσματος στραμμένο προς τα πίσω

(Ύψος παιδιού 40-105 εκ. / Βάρος παιδιού ≤ 19 κιλά/βρέφους - 4 ετών)

Δείτε τις εικόνες **21** - **30**

! Εγκαταστήστε το ενισχυμένο παιδικό κάθισμα ασφαλείας στο πίσω κάθισμα του οχήματος και, έπειτα, τοποθετήστε το παιδί στο παιδικό κάθισμα ασφαλείας.

! Σύρετε την ασφάλεια Smart προς τα αριστερά, όταν το ενισχυμένο παιδικό κάθισμα ασφαλείας χρησιμοποιείται με το παιδί να κοιτάζει προς τα πίσω. **21**

! Πατήστε το κουμπί ρύθμισης ISOFIX και τραβήξτε το πίσω μέρος της βάσης από το κάθισμα του οχήματος. **22**

! Πατήστε το περιστρεφόμενο

κουμπί για περιστροφή για ευκολότερη πλευρική τοποθέτηση/απομάκρυνση του παιδιού και, στη συνέχεια, περιστρέψτε το κάθισμα στη θέση όπου το παιδί κοιτάζει προς τα πίσω. **23** **24**

! Πατήστε το περιστρεφόμενο κουμπί σε κάθε πλευρά για να περιστρέψετε το ενισχυμένο παιδικό κάθισμα ασφαλείας.

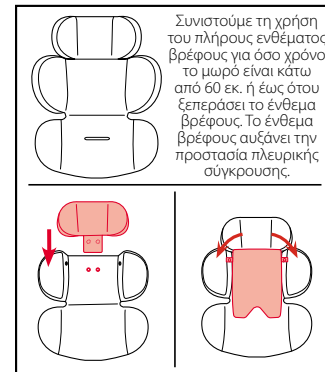
Ασφάλεια του παιδιού

! Για να επεκτείνεται τις ζώνες ιμάντων ώμων, πατήστε το κουμπί ρύθμισης ιμάντα ενώ ταυτόχρονα τραβάτε τους ιμάντες ώμων για να χαλαρώσουν. **25**

! Ξεκλειδώστε την πόρπη πατώντας το κόκκινο κουμπί.

! Στερεώστε τις πόρπες και στις δύο πλευρές του καθίσματος όπως φαίνεται στην εικόνα **27** για να διευκολύνετε την τοποθέτηση του παιδιού όταν το κάθισμα είναι στραμμένο προς τα πίσω.

Χρήση ενθέματος βρέφους



! Τοποθετήστε το παιδί στο κάθισμα ασφαλείας και περάστε αμφότερα τα χέρια μέσα από τους ιμάντες.

! Κουμπιώστε την πόρπη. Ανατρέξτε στην **28**

! Τραβήξτε προς τα κάτω τον ιμάντα ρύθμισης και προσαρμόστε τον στο σωστό μήκος για να εξασφαλίσετε ότι το παιδί σας έχει τοποθετηθεί με ασφάλεια και άνεση. **29**

! Να κρατάτε πάντοτε το παιδί ασφαλισμένο στους ιμάντες και να το σφίγγετε σωστά ρυθμίζοντας τυχόν χαλάρωση.

! Βεβαιωθείτε ότι ο χώρος μεταξύ του παιδιού και του ιμάντα ώμου είναι περίπου το πάχος μιας παλάμης.

! Να βεβαιώνετε πάντα ότι το κάθισμα βρίσκεται στη θέση ασφαλίσης (στραμμένο προς τα πίσω/μπροστά), ακόμα και όταν το παιδί δεν κάθεται στο κάθισμα.

Χρήση καθίσματος στραμμένο προς τα μπροστά

(Ύψος παιδιού 76-105 εκ./
Βάρος παιδιού ≤ 19 κιλά/15
μηνών - περ. 4 ετών)

Δείτε τις εικόνες 31 - 38

! Εγκαταστήστε το ενισχυμένο παιδικό κάθισμα ασφαλείας στο πίσω κάθισμα του οχήματος και, έπειτα, τοποθετήστε το παιδί στο παιδικό κάθισμα ασφαλείας.

! Σύρετε την ασφάλεια Smart προς τα δεξιά, όταν το ενισχυμένο παιδικό κάθισμα ασφαλείας χρησιμοποιείται με το παιδί να κοιτάζει προς τα μπροστά. 31

! Πατήστε το κουμπί περιστροφής για περιστροφή για ευκολότερη πλευρική τοποθέτηση/ απομάκρυνση του παιδιού και, στη συνέχεια, περιστρέψτε το κάθισμα στη θέση όπου το παιδί κοιτάζει προς τα εμπρός. 32 33

! Πιέστε το περιστρεφόμενο κουμπί σε κάθε πλευρά για να περιστρέψετε το ενισχυμένο παιδικό κάθισμα ασφαλείας.

Ασφάλεια του παιδιού

! Για να επεκτείνεται τις ζώνες ιμάντων ώμων, πατήστε το κουμπί ρύθμισης ιμάντα ενώ ταυτόχρονα τραβάτε τους ιμάντες ώμων για να χαλαρώσουν. 34

! Εκκλειδώστε την πόρπη των ιμάντων πατώντας το κόκκινο κουμπί. 35

! Αφαιρέστε το ένθεμα βρέφους όταν το ενισχυμένο παιδικό κάθισμα ασφαλείας χρησιμοποιείται με το παιδί να κοιτάζει προς τα εμπρός. 36

! Τοποθετήστε τις γλωττίδες της πόρπης στην εξωτερική πλευρά του παιδικού καθίσματος ασφαλείας, έτσι ώστε οι γλωττίδες να συγκρατούνται στη θέση τους.

! Τοποθετήστε το παιδί στο κάθισμα ασφαλείας και περάστε αμφότερα τα χέρια μέσα από τους ιμάντες.

! Κουμπώστε την πόρπη.

! Τραβήξτε προς τα κάτω τον ιμάντα ρύθμισης και προσαρμόστε τον στο σωστό μήκος για να εξασφαλίσετε ότι το παιδί σας έχει τοποθετηθεί με

ασφάλεια και άνεση. 37

! Να βεβαιώνετε πάντα ότι το κάθισμα βρίσκεται στη θέση ασφαλίσης (στραμμένο προς τα πίσω/μπροστά), ακόμα και όταν το παιδί δεν κάθεται στο κάθισμα.

! Οι σύνδεσμοι ISOFIX πρέπει να έχουν προσαρτηθεί και ασφαλιστεί στα σημεία αγκύρωσης ISOFIX. 38 -1

! Το σκέλος φορτίου πρέπει να εγκατασταθεί σωστά με τον πράσινο δείκτη. 38 -2

! Να κρατάτε πάντοτε το παιδί ασφαλισμένο στους ιμάντες και να το σφιγγετε σωστά ρυθμίζοντας τυχόν χαλάρωση.

! ΜΗΝ τοποθετείτε το κάθισμα στραμμένο προς τα εμπρός εάν το παιδί σας δεν έχει ύψος τουλάχιστον 76 εκατοστά ΚΑΙ είναι τουλάχιστον 15 μηνών.

Χρήση λειτουργίας Booster

(Ύψος παιδιού 100-125εκ./
Βάρος παιδιού ≤ 25kg)

Δείτε τις εικόνες 39 - 46

! Εγκαταστήστε το ενισχυμένο παιδικό κάθισμα ασφαλείας στο πίσω κάθισμα του οχήματος και, έπειτα, τοποθετήστε το παιδί στο

παιδικό κάθισμα ασφαλείας.

! Σύρετε την ασφάλεια Smart προς τα δεξιά, όταν το ενισχυμένο παιδικό κάθισμα ασφαλείας χρησιμοποιείται ως booster. 39

Ασφάλεια του παιδιού

! Ξεκλειδώστε την πόρπη των ιμάντων πατώντας το κόκκινο κουμπί. 40

! Αφαιρέστε το ένθεμα βρέφους κατά τη χρήση της λειτουργίας Booster.

! Τυλίξτε τον ιμάντα καβάλου και τον ιμάντα ώμου και αποθηκεύστε μαζί με τα καλύμματα. 42 44

! Ρυθμίστε το στήριγμα κεφαλιού με τρόπο που κάτω μέρος του να βρίσκεται στο ίδιο επίπεδο με τους ώμους του παιδιού.

! Δέστε με τη ζώνη του οχήματος.

! Η ζώνη ώμου πρέπει να περνά μέσω του οδηγού ζώνης ώμου. 46 -2

! Τα χρώματα των δεικτών και στους δύο συνδέσμους ISOFIX πρέπει να είναι τελείως πράσινα.

! Η εγκατάσταση με συνδέσμους ISOFIX στη χρήση Booster είναι προαιρετική. Εάν χρησιμοποιούνται σύνδεσμοι ISOFIX, βεβαιωθείτε ότι τα χρώματα των ενδείξεων

και στους δύο συνδέσμους είναι εντελώς πράσινα όταν συνδέονται στα σημεία αγκύρωσης. **46** -1

! Το σκέλος φορτίου πρέπει να εγκατασταθεί σωστά με τον πράσινο δείκτη. **46** -3

! Το παιδικό κάθισμα ασφαλείας δεν μπορεί να χρησιμοποιηθεί εάν η πόρπη της ζώνης ασφαλείας του οχήματος (θηλυκό άκρο πόρπης) είναι πάρα πολύ μακριά για να συγκρατήσει με ασφάλεια το παιδικό κάθισμα ασφαλείας. **46** -4

Αφαίρεση υφασμάτων στοιχείων

Δείτε τις εικόνες **47** - **52**

Πιέστε το κόκκινο κουμπί για να αποδεσμεύσετε την πόρπη. **47**

Ακολουθήστε τα βήματα **48** - **52** για να αφαιρέσετε τα υφασμάτινα στοιχεία.

Για να προσαρτήσετε πάλι τα υφασμάτινα στοιχεία επαναλάβετε τα παραπάνω βήματα με αντίστροφη σειρά.

Φροντίδα και συντήρηση

Πλύνετε το κάλυμμα του καθίσματος και την εσωτερική επένδυση με κρύο νερό, σε θερμοκρασία κάτω των 30°C.

Μη σιδερώνετε τα υφασμάτινα στοιχεία.

Μη χρησιμοποιείτε λευκαντικό ή υποβάλετε σε στεγνό καθάρισμα τα υφασμάτινα στοιχεία.

Μην χρησιμοποιείτε αδιάλυτα απορρυπαντικά, βενζίνη ή άλλους οργανικούς διαλύτες για να πλύνετε το παιδικό κάθισμα ασφαλείας. Ενδέχεται να προκαλέσουν φθορά στο παιδικό κάθισμα ασφαλείας.

Μην τραβάτε προς τα έξω το κάλυμμα του καθίσματος και την εσωτερική επένδυση για να στεγνώσουν. Αυτό ενδέχεται να δημιουργήσει ζάρες στο κάλυμμα του καθίσματος και την εσωτερική επένδυση.

Κρεμάστε το κάλυμμα του καθίσματος και την εσωτερική επένδυση για να στεγνώσουν σε ίσκιο.

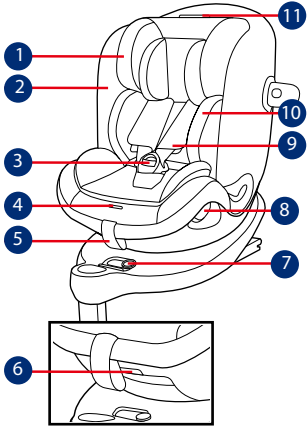
Αφαιρέστε το παιδικό κάθισμα ασφαλείας από το κάθισμα του οχήματος αν δεν χρησιμοποιείται για μεγάλο χρονικό διάστημα. Τοποθετήστε το παιδικό κάθισμα ασφαλείας σε δροσερό, ξηρό χώρο

και σε σημείο στο οποίο δεν έχει πρόσβαση το παιδί σας.

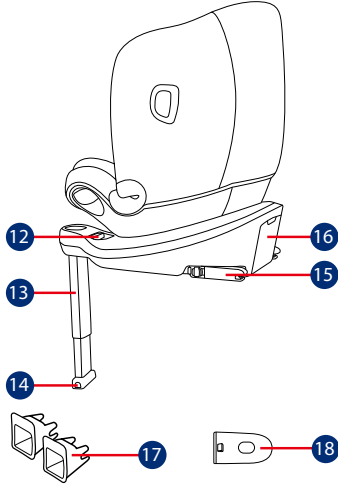
Μην παραβιάζετε τους συνδέσμους των ιμάντων κατά τη διάρκεια του καθαρισμού.

gracobaby.eu

www.gracobaby.pl



- 1 Baş Desteği
- 2 Koltuk Yastığı
- 3 Toka
- 4 Kayış Takımı Ayarı Düğmesi
- 5 Ayar Kayışı
- 6 Yatırma Ayarı Düğmesi
- 7 Döner Kilit
- 8 Döndürme Düğmesi
- 9 Omuz Kayışı Kılıfları
- 10 Bebek Eklentisi



- 11 Baş Desteği Ayar Kolu
- 12 ISOFIX Ayarlayıcı Düğme
- 13 Yük Ayağı
- 14 Yük Ayağı Ayar Düğmesi
- 15 ISOFIX Bağlayıcı
- 16 Kullanım Kılavuzu Saklama Bölmesi
- 17 ISOFIX Sabitleme Kılavuzları
- 18 Yan Darbe Koruması

*sadece kapı tarafında kullanılmalıdır

TR ÖNEMLİ

ÜRÜNÜ KULLANMADAN ÖNCE BU TALİMATLARI DİKKATLİCE OKUYUN VE İLERİDE BAŞVURMAK İÇİN SAKLAYIN. BU TALİMATLARA UYMAMANIZ HALİNDE ÇOCUĞUNUZUN GÜVENLİĞİ ETKİLENEBİLİR.

⚠️ UYARI:
ÖNEMLİ, İLERİDE BAŞVURMAK İÇİN SAKLAYIN: DİKKATLİCE OKUYUN.

Geliştirilmiş çocuk koltuğunun sert ve plastik parçalarının, hareketli bir koltuğa veya aracın bir kapisına sıkışmayacak şekilde yerleştirilip monte edilmeleri gerektiğini unutmayın.

Arkaya bakan geliştirilmiş çocuk koltuğu sistemlerini, aktif öne bakan hava yastığı takılı iken KULLANMAYIN.

Bu geliştirilmiş çocuk koltuğunu 129/03 No'lu BM Yönetmeliğine göre kullanmak için çocuğunuzun aşağıdaki gereklilikleri karşılaması gerekir.

Arkaya Dönük Mod: Çocuğunuzun boyu 40 cm-105 cm/maks. 19 kg;

Öne Dönük Mod: Çocuğunuzun boyu 76 cm-105 cm/maks. 19 kg;

Yükseltici Modu: Çocuğunuzun boyu 100 cm-125 cm/maks. 25 kg;

ÖNEMLİ - ÇOCUK 15 AYINI DOLDURANA KADAR ÖNE DÖNÜK

KONUMDA KULLANMAYIN (Talimatlara başvurun).

Geliştirilmiş çocuk koltuğu, saklama bölmeleri veya aracın tavanına kadar olan sınırlı alan nedeniyle onaylı tüm araçlara sığmayabilir. Şüphe duyulması durumunda lütfen satıcınızla iletişime geçin veya bize ulaşın.

Geliştirilmiş çocuk koltuğunu araca bağlayan tüm kemerler sıkı olmalıdır, destek ayağı araç tabanına temas etmelidir, çocuğu tutan kemerler çocuğın gövdesine göre ayarlanmalı ve kemerler bükülmemelidir.

Çocuğunuz bu geliştirilmiş çocuk koltuğuna yerleştirildikten sonra emniyet kemeri doğru şekilde kullanılmalıdır. Leğen kemiğinin sıkıca kavranması için herhangi bir kukak kayışının aşağı doğru takıldığından ve gerildiğinden emin olun.

Bir kazada şiddetli zorlanmalara maruz kaldığında bu geliştirilmiş çocuk koltuğu değiştirilmelidir. Bir kaza, göremediğiniz hasara neden olabilir.

Yetkili makamın onayı olmadan cihazda herhangi bir değişiklik veya ekleme yapılması ve geliştirilmiş çocuk koltuğu üreticisi tarafından sağlanan montaj talimatlarının tam olarak yerine getirilmemesi durumlarında ortaya çıkabilecek tehlikeleri dikkate alın.

Lütfen bu geliştirilmiş çocuk koltuğunu güneş altında bırakmayın; aksi durumda çocuğun cildi için çok ısınabilir. Çocuğu içine yerleştirmeden önce geliştirilmiş çocuk koltuğunu mutlaka dokunarak kontrol edin.

Çocuğunuzu gelişmiş çocuk emniyet sisteminde gözetimsiz BIRAKMAYIN.

Çarpışma durumunda yaralanmalara neden olabilecek herhangi bir bavul veya diğer nesnelere uygun biçimde sabitlenmelidir.

Geliştirilmiş çocuk emniyet sistemi, tekstil malzemeleri olmadan KULLANILMAMALIDIR.

Koltuk performansının önemli bir parçasını oluşturduklarından, tekstil malzemeleri üretici firmanın önerdiğinin dışındakilerle değiştirilmemelidir.

Lütfen satın almadan önce bu geliştirilmiş çocuk koltuğunun aracınıza düzgün bir şekilde takılıp takılamayacağını kontrol edin.

Hiçbir geliştirilmiş çocuk koltuğu bir kazada yaralanmaya karşı tam koruma garanti edemez. Ancak bu geliştirilmiş çocuk koltuğunun doğru kullanılması, çocuğunuzun ciddi yaralanma veya ölüm riskini azaltacaktır.

Bu geliştirilmiş çocuk koltuğunu bu kılavuzdaki talimatları dikkate almadan kurmayın; aksi durumda

çocuğunuzu ciddi yaralanma veya ölüm riski altına sokabilirsiniz.

Hasarlı veya eksik parçaları varsa bu geliştirilmiş çocuk koltuğunu kullanmayın.

Omuz kayışları ve bacaklar arasındaki kasık kayışıyla doğru ve güvenli biçimde bağlanmasını engelleyebileceğinden, çocuğunuza geniş/büyük beden kıyafetler GİYDIRMEYİN.

Talimatlar, kullanım süresince çocuk koltuğu üzerinde muhafaza edilmelidir.

Lütfen araç üreticisinin el kitabındaki talimat ve uyarılara da dikkat edin.

Ürün Bilgisi

ISOFIX sistemiyle kurulum için

1. Bu, bir i-Size Geliştirilmiş Çocuk Emniyet Sistemidir. 129 No'lu BM Yönetmeliğine göre, aracın kullanım kılavuzunda araç üreticisi tarafından belirtilen i-Size uyumlu araç koltuğu konumlarında kullanım için onaylanmıştır.
2. Şüphe duyulması durumunda Geliştirilmiş Çocuk Koltuğu Sisteminin üreticisine veya bayisine danışın.

3 noktalı kemer ile kurulum için 3 noktalı kemer + ISOFIX sistemiyle kurulum için

1. Bu bir i-Size yükseltici koltuğu Geliştirilmiş Çocuk Koltuğu

Sistemidir. 129 numaralı BM Yönetmeliğine göre, aracın kullanım kılavuzunda araç üreticisi tarafından belirtilen "i-Size oturma konumlarında" kullanım için onaylanmıştır.

2. Şüphe duyulması durumunda Geliştirilmiş Çocuk Koltuğu Sisteminin üreticisine veya bayisine danışın.

Malzemeler Plastik, Metal, Kumaş

Patent No. Patent başvurusu yapılmıştır

Kurulum ile ilgili hususlar

Bkz. resim 1 - 4

Yan Darbe Koruması Kullanın

Bkz. resim 5 - 6

- ! Geliştirilmiş çocuk koltuğu, çıkarılabilir yan darbe koruma bölmesi ile birlikte teslim edilir. Yan darbe bölmesini kapıya en yakın tarafa yerleştirin. Kurulum 5 kısmında gösterilmiştir.
- 6 Yan darbe korumasını çıkarmak için serbest bırakma düğmesine basın.

Baş Desteği ve Omuz Kayışları için Yükseklik Ayarı

Bkz. resim 7 - 10

! Lütfen baş desteğini ayarlayın ve omuz kayışlarının 7 8 9 10 numaralı resme uygun olarak doğru yükseklikte olduğunu kontrol edin.

! Arkaya dönük modda kullanılırken Modu, omuz kayışı yüksekliği çocuğun omuzlarının üst kısmıyla eşit düzeyde veya üst kısmının hemen aşağısında olmalıdır. 7

! Öne dönük modda kullanılırken, omuz kayışı yüksekliği çocuğun omuzlarının üst kısmıyla eşit düzeyde veya üst kısmının hemen üzerinde olmalıdır. 8

! Yükseltici modunda kullanıldığında, omuz kemeri kılavuzları çocuğun omuzlarıyla aynı hizada olmalıdır. 9

! Baş desteği ayar koluna basın ve baş desteğini 10 olarak gösterilen 7 konumdan birine oturana kadar yukarı çekin veya aşağı itin.

Yatırma Ayarı

Bkz. resim 11 - 13

! Yatırma ayarı düğmesine basıp,

geliştirilmiş çocuk koltuğunu istediğiniz konuma ayarlayın.

11 12 13

- ! Hem arkaya dönük mod hem de öne dönük mod için kullanılabilen 6 yatırma konumu mevcuttur. **12 13**

Taban Kurulumu

Bkz. resim **14 - 20**

- ! Kurulumu yardımcı olmak için ISOFIX kılavuzlarını geçirin. **14**
- ! ISOFIX kısmını uzatmak için ISOFIX ayarlayıcı düğmesine basın. **16 -1& 16 -2**
- ! Her iki ISOFIX konnektörünün de ISOFIX sabitleme noktalarına sıkıca takıldığından emin olun. Her iki ISOFIX konnektörü üzerindeki göstergelerin renkleri tamamen yeşil olmalıdır. **17 -1**
- ! Koltuk arkalığını araç koltuğu arkalığına temas edene kadar iterken ISOFIX ayar düğmelerine tekrar basın.
- ! ISOFIX bağlantısını yaptıktan sonra yük ayağını zemine doğru aşağı çekin. Yük ayağı göstergesi yeşil renkte olduğunda, yük ayağı doğru biçimde takılmıştır. **17 -2**
- ! Yük ayağı serbest bırakma düğmesini sıkın ve yük ayağı uzunluğunu ayarlayın. **17 -3**

! Destek ayağının zeminle doğrudan temas ettiğinden ve çocuk içinde değilken bile kilitli konumda olduğundan her zaman emin olun.

Tabanı çıkarma

- ! Araçtan çıkarmak için, ISOFIX ayarlayıcı düğmesine basın ve taban arka kısmını koltuktan çekin. Bağlayıcılara bastırarak aracın ISOFIX bağlantısından serbest bırakın. **19**
- ! Ulaşım sırasında hasarı önlemek için, ISOFIX ayarlayıcı düğmesine **20 -1** basın ve bağlayıcıyı tamamen katlayın. **20 -2**

Arkaya dönük modda kullanma (Çocuğun boyu 40 cm-105 cm/Çocuğun kilosu ≤ 19kg/bebek - yakl. 4 yaş)

Bkz. resim **21 - 30**

- ! Geliştirilmiş çocuk koltuğunu aracın arka koltuğuna monte edin ve ardından çocuğu geliştirilmiş çocuk koltuğuna yerleştirin.
- ! Geliştirilmiş çocuk koltuğu arkaya dönük modda kullanılırken lütfen Akıllı kilidi sola kaydırın. **21**
- ! ISOFIX ayarlayıcı düğmesine

basın ve taban arka kısmını koltuktan çekin. **22**

- ! Çocuğun yandan daha kolay yerleştirilmesi/çıkarılması amacıyla döndürmek için döndürme düğmesine basıp koltuğu arkaya dönük konuma döndürün. **23 24**
- ! Geliştirilmiş çocuk koltuğunu döndürmek için herhangi bir taraftaki döndürme düğmesine basın.

Çocuğu Sabitleme

- ! Omuz kayışı kemerlerini uzatmak için, omuz kemerlerini çekerken kemer ayarlama düğmesine basarak gevşetin. **25**
- ! Kırmızı düğmeye basarak kayışı çözün.
- ! Çocuğun arkaya-öne dönük modda daha rahat yerleştirilmesini sağlamak için koltuğun her iki tarafında **27** olarak işaretlenmiş tokaları sabitleyin.

Bebek Eklentisi Kullanımı



Bebek 60 cm'den kısayken tam bebek eklentisinin kullanılmasını öneririz; bebek eklentiye sığamayana kadar kullanılabilir. Bebek eklentisi yan darbe korumasını artırır.

- ! Çocuğu geliştirilmiş çocuk koltuğuna yerleştirip her iki kolu kemerlerden geçirin.
- ! Tokayı takın. Lütfen bkz. **28**
- ! Ayar kayışını aşağı çekin ve çocuğu doğru biçimde sabitlediğinden emin olmak için uygun uzunluğa ayarlayın. **29**
- ! Çocuğu her zaman kemerde sabitleyin ve gevşekliği gidererek uygun şekilde sıkın.
- ! Çocuk ve omuz kemerleri arasındaki mesafenin yaklaşık bir el kalınlığında olduğundan emin olun.
- ! Çocuk içinde değilken bile koltuğun kilitli konumda (arkaya dönük/öne dönük) olduğundan daima emin olun.

Öne dönük modda kullanma

(Çocuğun boyu 76 cm-105 cm/Çocuğun kilosu ≤ 19 kg/15 ay - yakl. 4 yaş)

Bkz. resim 31 - 38

- ! Geliştirilmiş çocuk koltuğunu aracın arka koltuğuna monte edin ve ardından çocuğu geliştirilmiş çocuk koltuğuna yerleştirin.
- ! Geliştirilmiş çocuk koltuğu öne dönük modda kullanılırken lütfen Akıllı kilidi sağa kaydırın. 31
- ! Çocuğun yandan daha kolay yerleştirilmesi/çıkarılması amacıyla döndürmek için döndürme düğmesine basıp koltuğu öne dönük konuma döndürün. 32 33
- ! Geliştirilmiş çocuk koltuğunu döndürmek için herhangi bir taraftaki döndürme düğmesine basın.

Çocuğu Sabitleme

- ! Omuz kayışı kemerlerini uzatmak için, omuz kemerlerini çekerken kemer ayarlama düğmesine basarak gevşetin. 34
- ! Kırmızı düğmeye basarak kayışın tokasını açın. 35
- ! Öne bakan moddayken bebek

eklentisini çıkarın. 36

- ! Tokanın dillerini, diller sabit tutulacak şekilde geliştirilmiş çocuk koltuğunun dış tarafına yerleştirin.
- ! Çocuğu geliştirilmiş çocuk koltuğuna yerleştirip her iki kolu kemerlerden geçirin.
- ! Tokayı takın.
- ! Ayar kayışını aşağı çekin ve çocuğun doğru biçimde sabitlendiğinden emin olmak için uygun uzunluğa ayarlayın. 37
- ! Çocuk içinde değilken bile koltuğun kilitli konumda (arkaya dönük/öne dönük) olduğundan daima emin olun.
- ! ISOFIX bağlayıcılar, ISOFIX sabitleme noktalarına takılmalı ve kilitlenmelidir. 38 -1
- ! Yük ayağı doğru takılmalı ve göstergesi yeşil olmalıdır. 38 -2
- ! Çocuğu her zaman kemerde sabitleyin ve gevşekliği gidererek uygun şekilde sıkın.
- ! Çocuğunuzun boyu en az 76 cm VE çocuk 15 aylık olana kadar öne dönük modu KULLANMAYIN.

Yükseltici modunda kullanma

(Çocuğun boyu 100 cm-125 cm/Çocuğun kilosu ≤ 25 kg)

Bkz. resim 39 - 46

- ! Geliştirilmiş çocuk koltuğunu aracın arka koltuğuna monte edin ve ardından çocuğu geliştirilmiş çocuk koltuğuna yerleştirin.
- ! Geliştirilmiş çocuk koltuğu yükseltici modunda kullanılırken lütfen Akıllı kilidi sağa kaydırın. 39

Çocuğu Sabitleme

- ! Kırmızı düğmeye basarak kayışın tokasını açın. 40
- ! Yükseltici modundayken bebek eklentisini çıkarın.
- ! Kasık kayışını ve omuz kayışını kılıflarıyla birlikte bölmelere yerleştirin. 42 44
- ! Kafa desteğini, kafa desteğinin alt kısmı çocuğun omuzlarıyla aynı hizada olacak şekilde ayarlayın.
- ! Araç kemeriyle bağlayın.
- ! Omuz kemeri, omuz kemeri kılavuzundan geçmelidir. 46 -2
- ! Her iki ISOFIX bağlayıcı konnektöründeki göstergelerin

renkleri tamamen yeşil olmalıdır.

- ! Yükseltici modunda ISOFIX konnektörleri ile kurulum isteğe bağlıdır. ISOFIX konnektörleri kullanılıyorsa, sabitleme noktalarına takıldığında her iki konnektördeki gösterge renklerinin tamamen yeşil olduğundan emin olun. 46 -1
- ! Yük ayağı doğru takılmalı ve göstergesi yeşil olmalıdır. 46 -3
- ! Araç emniyet kemeri tokası (dışı toka ucu) geliştirilmiş çocuk koltuğunu güvenli bir şekilde sabitlemek için çok uzunsa, geliştirilmiş çocuk koltuğu kullanılamaz. 46 -4

Tekstil Malzemelerini Ayrın

Bkz. resim 47 - 52

- Tokayı çıkarmak için kırmızı düğmeye basın. 47
- Tekstil malzemelerini ayırmak için 48 - 52 arası adımları izleyin.
- Tekstil malzemelerini tekrar takmak için lütfen yukarıdaki adımları ters yönde izleyin.

Bakım ve Koruma

Koltuk kaplamasını ve iç altlığı 30°C'nin altındaki soğuk suyla yıkayın.

Tekstil malzemeleri ütölemeyin.

Tekstil malzemelerinde ağartıcı kullanmayın veya kuru temizlemeye vermeyin.

Çocuk koltuğunu yıkamak için seyreltilmemiş deterjanlar, benzin veya diğer organik çözücüler kullanmayın. Bu işlem çocuk koltuğuna zarar verebilir.

Koltuk kaplamasını ve iç altlığı kurutmak amacıyla sıkmayın. Bu, koltuk kaplamasında ve iç altlıkta kırışıklıklara neden olabilir.

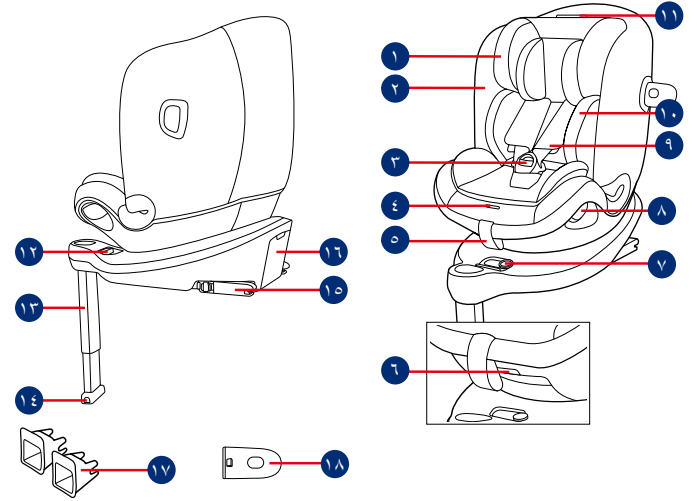
Koltuk kaplamasını ve iç altlığı gölgede kurutun.

Uzun süre kullanılmıyacaksa, lütfen çocuk koltuğunu araç koltuğundan çıkarın. Çocuk koltuğunu çocuğunuzun erişemeyeceği serin ve kuru bir yere koyun.

Temizlik sırasında kayış bağlayıcıları kurcalamayın.

gracobaby.eu

www.gracobaby.pl



- ١١ ذراع ضبط مسند الرأس
 - ١٢ زر ضبط ISOFIX
 - ١٣ ساق التحميل
 - ١٤ زر ضبط ساق التحميل
 - ١٥ وصلة ISOFIX
 - ١٦ تخزين دليل التعليمات
 - ١٧ مَوْجِّها وصلتي تثبيت ISOFIX
 - ١٨ وافي الصدمات الجانبي
- *يجب استخدامه في جانب الباب فقط

- ١ مسند الرأس
- ٢ وسادة المقعد
- ٣ إبزيم
- ٤ زر ضبط مجموعة الأحزمة
- ٥ شريط الضبط
- ٦ زر ضبط الإمالة
- ٧ آلية القفل الدوار
- ٨ زر التدوير
- ٩ أغطية مجموعة أحزمة الكتف
- ١٠ بطانة الرضع

احرص على قراءة هذه التعليمات بعناية قبل استخدام المنتج وقم بالاحتفاظ بها للرجوع إليها في المستقبل. قد يؤثر عدم اتباع هذه التعليمات على سلامة طفلك.



هام: احتفظ بهذا الدليل للرجوع إليه في المستقبل: اقرأه بعناية.

توخَّ العناية لوضع العناصر الصلبة والأجزاء البلاستيكية وتركيبها في النظام المطوَّر لتثبيت حركة الطفل بحيث لا تكون عرضة للاحتجاز في مقعد متحرك أو في باب السيارة.

لا تستخدم الأنظمة المطوَّرة لتثبيت حركة الطفل المواجهة للخلف في أوضاع جلوس تكون فيها الوسادة الهوائية الامامية نشطة.

لاستخدام هذا النظام المطوَّر لتثبيت حركة الطفل وفقاً للائحة الأمم المتحدة رقم ٠٣/١٢٩، يجب أن تتوفر في طفلك الشروط التالية.

وضع التوجيه للخلف: طول الطفل ٤٠ سم - ١٠٥ سم / الحد الأقصى ١٩ كجم؛

وضع التوجيه للأمام: طول الطفل ٧٦ سم - ١٠٥ سم / الحد الأقصى ١٩ كجم؛

وضع المقعد الداعم: طول الطفل من ١٠٠ إلى ١٢٥ سم/الوزن الأقصى للطفل ٢٥ كجم؛

مهم - لا تستخدم وضع المواجهة للأمام قبل أن يصبح الطفل أكبر من ١٥ شهراً (راجع التعليمات).

قد لا يصلح نظام تثبيت حركة الطفل المطوَّر لجميع المركبات المعتمدة بسبب درجات التخزين أو المساحة المحدودة في سقف السيارة. في حالة الشك، يُرجى الاتصال بتاجر التجزئة الذي تتعامل معه أو التواصل معنا.

يجب أن تكون أي أحزمة داعمة لنظام تثبيت حركة الطفل المطوَّر مربوطة بإحكام بحيث يجب أن تكون أي أرجل داعمة ملامسة لأرضية السيارة ويجب ضبط أي أحزمة مثبتة للطفل وفقاً لجسمه ويجب ألا تكون تلك الأحزمة ملتوية.

بعد وضع الطفل في هذا النظام المطوَّر لتثبيت حركة الطفل، يجب استخدام حزام الأمان بشكل صحيح. احرص على شد وتثبيت حزام الفخذ عند مستوى منخفض، بحيث يتم ربطه بإحكام على الحوض.

يتعين استبدال هذا النظام المطوَّر بعد تعرضه لضغوط عنيفة في حادث. فقد تتسبب الحوادث في إلحاق أضرار به ولا يمكن رؤيتها.

انتبه إلى خطر إجراء أي تعديلات أو إضافات للجهاز بدون موافقة السلطة المختصة، وخطر عدم اتباع تعليمات التركيب بحذافيرها المقدمة من قبل جهة تصنيع هذا النظام المطوَّر.

الرجاء الاحتفاظ بهذا النظام المطوَّر بعيداً عن أشعة الشمس؛ وإلا، فقد يسخن للغاية ويضر ببشرة الطفل. واحرص دائماً على اختبار النظام المطوَّر باللمس قبل وضع الطفل بداخله.

لا تترك الطفل دون مراقبة في النظام المطوَّر.

يجب إحكام تثبيت أي أمتعة أو أي أشياء أخرى قد تحدث إصابات في حالة حدوث تصادم.

لا يُستخدم النظام المطوَّر بدون الأجزاء اللينة.

يتعين عدم استبدال الأجزاء اللينة بأي أشياء أخرى بخلاف الموصى بها من قبل المصنِّع حيث إن القطع اللينة (المنسوجات) تتشكّل جزءاً لا يتجزأ من أداء هذا المقعد الداعم.

يرجى التحقق من إمكانية تركيب النظام المطوَّر بشكل سليم في السيارة قبل شرائه.

ليس هناك أي نظام تثبيت حركة طفل مطوَّر يضمن الحماية الكاملة عند وقوع حادث. لكن الاستخدام السليم لهذا النظام المطوَّر من شأنه تقليل خطر تعرض طفلك لإصابة جسيمة أو الوفاة.

تجنب تركيب نظام تثبيت حركة الطفل المطوَّر هذا دون اتباع التعليمات الواردة في هذا الدليل؛ وإلا، فقد تعرض طفلك لخطر الإصابة الجسيمة أو الوفاة.

لا تستخدم هذا النظام المطوَّر إذا كان تالفاً أو به أجزاء مفقودة.

لا تلبس طفلك ملابس واسعة/كبيرة الحجم؛ لأن هذا قد يحول دون تثبيت الطفل بشكل سليم ومحكم بواسطة أشرطة مجموعة أحزمة الكتف وحزام مفرق الساقين.

ينبغي الاحتفاظ بالتعليمات في النظام المطوَّر لتثبيت حركة الطفل طوال عمره الافتراضي.

يرجى الانتباه أيضاً إلى التعليمات والتحذيرات في كتيب مصنِّع السيارة.

معلومات المنتج

التركيب باستخدام نظام ISOFIX

١- هذا نظام مطوَّر من فئة i-Size لتثبيت حركة الطفل، ويعتمد وفقاً للائحة الأمم المتحدة رقم ١٢٩ للاستخدام في وضعيات مقاعد السيارة المتوافقة مع الفئة i-Size كما هو موضح من قبل مصنِّع السيارات في دليل استخدام السيارة.

٢- إذا سارك شك، فاستشر مصنِّع المقعد المطوَّر أو الموزِّع.

بالنسبة إلى التركيب باستخدام حزام ثلاثي النقاط

بالنسبة إلى التركيب باستخدام حزام ثلاثي النقاط + نظام ISOFIX

١- هذا نظام مطوَّر مزوَّد بمقعد داعم من فئة i-Size لتثبيت حركة الطفل، ويعتمد وفقاً للائحة الأمم المتحدة رقم ١٢٩ للاستخدام أساساً في "وضعيات مقاعد السيارة المتوافقة مع الفئة i-Size" كما هو موضح من قبل مصنِّع السيارات في دليل استخدام السيارة.

٢- إذا ساورك شك، فاستشر مصنّع المقعد المطور أو الموزع.

مواد الصنع بلاستيك، معدن، قماش

رقم براءة الاختراع براءات الاختراع المنتظرة

أمور متعلقة بالتركيب

راجع الصور ١ - ٤

استخدام واقى الصدمات الجانبي

راجع الصور ٥ - ٦

! يأتي النظام المطور لتقييد حركة الطفل مزودًا بطرف جانبي واقى من الصدمات وقابل للفك والتركيب. أدخل الطرف الواقي من الصدمات الجانبية في الجانب الأقرب إلى الباب. ويمكن الاطلاع على كيفية التركيب في ٥.

٦ اضغط على زر التحرير لفك واقى الصدمات الجانبي.

ضبط الارتفاع

مسند الرأس وأحزمة الكتف

راجع الصور ٧ - ١٠

! يُرجى ضبط مسند الرأس، وفحص ما إذا كانت أحزمة الكتف مثبتة على الارتفاع الصحيح أم لا وفقًا للصور ٧ ٨ ٩ ١٠.

! عند الاستخدام في وضع المواجهة للخلف، يجب أن تكون مجموعة أحزمة الكتف مستوية مع قمتي كتفي الطفل أو أذناهما قليلاً. ٧

! عند الاستخدام في وضع التوجيه للأمام، يجب أن تكون مجموعة أحزمة الكتف مستوية مع قمتي كتفي الطفل أو أعلاهما قليلاً. ٨

! عند الاستخدام في وضع المقعد الداعم، يجب أن تكون موجهاً حزام الكتف مستوية مع كتفي الطفل. ٩

! اضغط بقوة على ذراع ضبط مسند الرأس واسحب مسند الرأس لأعلى أو ادفعه لأسفل إلى أن تسمع صوت استقراره في أحد المواضع السبعة، كما هو مبين في ١٠.

ضبط الإمالة

راجع الصور ١١ - ١٣

! اضغط على زر ضبط الإمالة لضبط النظام المطور لتقييد حركة الطفل على الموضع المطلوب. ١١ ١٢ ١٣

! توجد ٦ مواضع إمالة يمكن استخدامها لكل من وضع التوجيه للخلف ووضع التوجيه للأمام. ١٢ ١٣

تركيب القاعدة

راجع الصور ١٤ - ٢٠

! أدخل موجهي ISOFIX للمساعدة في التركيب. ٤

! اضغط على زر ضابطة ISOFIX لإطالة ISOFIX. ١٦ - ١٦ و ٢-

! تأكد من إحكام تركيب وصلتي ISOFIX في نقطتي تثبيت ISOFIX. ومن المفترض أن يضيء المؤشران في وصلتي ISOFIX باللون الأخضر بالكامل. ١٧ - ١

! اضغط على أزرار ضبط ISOFIX مرة أخرى أثناء دفع المقعد للخلف حتى يتلامس مع مسند الظهر بمقعد السيارة.

! بعد تركيب ISOFIX، اسحب ساق التحميل للأسفل نحو الأرضية. عندما يصبح مؤشر ساق التحميل أخضر اللون، تكون حينها ساق التحميل مركبة بشكل صحيح. ١٧ - ٢

! اضغط على زر إطلاق ساق التحميل، ثم اضبط طول ساق التحميل. ١٧ - ٣

! تأكد دائمًا من تلامس الساق الداعمة مع الأرضية مباشرة ووجودها في موضع القفل حتى عندما لا يكون الطفل في النظام.

إزالة القاعدة

! لإزالة القاعدة من السيارة اضغط على زر ضابطة ISOFIX واسحب القاعدة للخلف من المقعد. ثم اضغط وحرر الوصلات من نظام ISOFIX الموجود بالسيارة. ١٩

! لتفادي التلف أثناء النقل، اضغط على زر ضابطة ISOFIX ٢٠ - ١ وقم بطي الوصلة بالكامل. ٢٠ - ٢

الاستخدام في وضع التوجيه للخلف

(ارتفاع الطفل ٤٠ سم - ١٠٥

سم / وزن الطفل ≤ ١٩ كجم /

الرضع - تقريبًا ٤ سنوات)

راجع الصور ٢١ - ٣٠

! ثبت النظام المطور لتقييد حركة الطفل على مقعد السيارة الخلفي، ثم ضع الطفل في النظام المطور.

! يُرجى سحب قفل Smart للبيسار عند استخدام نظام تقييد حركة الطفل المطور في وضع التوجيه للخلف. ٢١

! اضغط على زر ضابطة ISOFIX واسحب القاعدة للخلف من مقعد السيارة. ٢٢

! اضغط على زر التدوير للاستدارة
من أجل وضع/رفع الطفل من الجانب
بسهولة، ثم لف المقعد لوضع التوجيه
للخلف. (٢٣) (٢٤)

! اضغط على زر التدوير الموجود على
أي جانب من الجانبين لتدوير نظام تثبيت
حركة الطفل المَطْوَر.

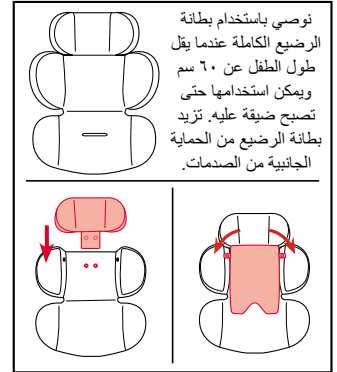
تأمين الطفل

! لتطويل مجموعة أحزمة الكتف، اضغط
على زر ضبط مجموعة الأحزمة
أثناء سحب مجموعة الأحزمة للخارج
لإرخائها. (٢٥)

! افتح إبريم مجموعة الأحزمة بالضغط
على الزر الأحمر.

! ثبت الإيزيمين على كلا جانبي المقعد الذي
يحمل علامة (٢٧)، لجعل وضع الطفل في
وضع التوجيه للخلف أكثر ملاءمة.

استخدام بطانة الرضيع



! ضع الطفل في نظام تثبيت حركة الطفل
المَطْوَر ومرر ذراعيه من خلال الأحزمة.

! عشّق الإيزيم. يرجى الرجوع إلى (٢٨)

! اسحب حزام التعديل لأسفل، وقم بتعديله
حتى الوصول إلى الطول المناسب لضمان
أمان الطفل. (٢٩)

! ابقِ الطفل دائماً مؤمناً من خلال الأحزمة
واربطه بشكل سليم من خلال إزالة أي
ارتخاء بالأحزمة.

! تأكد من أن المسافة بين الطفل وأشرطة
حزام الكتف تساوي سمك يد واحدة تقريباً.

! تأكد دائماً من ضبط المقعد على موضع
القفل (وضع المواجهة للخلف/المواجهة
للأمام) حتى عندما لا يكون الطفل فيه.

الاستخدام في وضع المواجهة للأمام

(ارتفاع الطفل ٧٦ سم - ١٠٥

سم / وزن الطفل ≤ ١٩ كجم /
١٥ شهراً - تقريباً ٤ سنوات)

راجع الصور (٣١) - (٣٨)

! تَبَّت النظام المَطْوَر لتثبيت حركة الطفل
على مقعد السيارة الخلفي، ثم ضع الطفل في
النظام المَطْوَر.

! يُرجى سحب وقف قفل Smart لليمين
عند استخدام نظام تثبيت حركة الطفل المطور في
وضع التوجيه للأمام. (٣١)

! اضغط على زر التدوير للتدوير إلى
الجانب الأسهل لإدخال الطفل أو إخراجها، ثم
أدر المقعد إلى وضع التوجيه للأمام. (٣٢) (٣٣)

! اضغط على زر التدوير الموجود على
أي جانب من الجانبين لتدوير نظام تثبيت حركة
الطفل المَطْوَر.

تأمين الطفل

! لتطويل مجموعة أحزمة الكتف، اضغط
على زر ضبط مجموعة الأحزمة أثناء سحب
مجموعة الأحزمة للخارج لإرخائها. (٣٤)

! افتح إبريم مجموعة الأحزمة بالضغط
على الزر الأحمر. (٣٥)

! أزل بطانة الرضيع عند استخدام وضع
المواجهة للأمام. (٣٦)

! ضع السنة الإيزيم على الجانب الخارجي
للنظام المَطْوَر بحيث تستقر الأسنان في
أماكنها.

! ضع الطفل في نظام تثبيت حركة الطفل
المَطْوَر ومرر ذراعيه من خلال الأحزمة.

! عشّق الإيزيم.

! اسحب حزام التعديل لأسفل، وقم بتعديله
حتى الوصول إلى الطول المناسب لضمان
أمان الطفل. (٣٧)

! تأكد دائماً من ضبط المقعد على موضع
القفل (وضع المواجهة للخلف/المواجهة
للأمام) حتى عندما لا يكون الطفل فيه.

! يجب تركيب وصلتي ISOFIX وإحكام
تثبيتهما في نقطتي تثبيت ISOFIX.
(٣٨) - ١

! يجب تركيب ساق التحويل بشكل صحيح
من خلال التأكد من إضاءة مؤشرها باللون
الأخضر. (٣٨) - ٢

! ابقِ الطفل دائماً مؤمناً من خلال الأحزمة
واربطه بشكل سليم من خلال إزالة أي
ارتخاء بالأحزمة.

! لا تستخدم وضع المواجهة للأمام حتى
يصبح طول الطفل ٧٦ سم وسنه ١٥
شهراً على الأقل.

استخدام وضع المقعد الدائم

(ارتفاع الطفل ١٠٠ سم - ١٢٥

سم / وزن الطفل ≤ ٢٥ كجم)

راجع الصور (٣٩) - (٤٦)

! تَبَّت النظام المَطْوَر لتثبيت حركة الطفل
على مقعد السيارة الخلفي، ثم ضع الطفل
في النظام المَطْوَر.

يُرجى فك مقعد أمان الطفل من مقعد السيارة إذا كنت تنوي عدم استخدامه لمدة طويلة. ضع مقعد الطفل في مكان بارد وجاف يصعب على طفاك الوصول إليه.

لا تعبت بوصلات الحزام أثناء التنظيف.

gracobaby.eu
www.gracobaby.pl

! لا يمكن استخدام هذا النظام المطوّر إذا كان إبرزيم حزام أمان السيارة (طرف الإبرزيم الأثني) أطول مما ينبغي لتثبيت النظام المطوّر بإحكام. ٤٦ - ٤

فك الأجزاء اللينة

راجع الصور ٤٧ - ٥٢

اضغط على الزر الأحمر لفك تشبيك الإبرزيم. ٤٧

اتبع الخطوات ٤٨ - ٥٢ لفك الأجزاء اللينة.

لإعادة تركيب الأجزاء اللينة، يُرجى تكرار الخطوات سالفة الذكر ولكن بالترتيب العكسي.

العناية والصيانة

يُرجى غسل غطاء المقعد والبطانة الداخلية بماء بارد عند درجة حرارة أقل من ٣٠ درجة مئوية تجنب كي القطع اللينة.

لا تستخدم مادة تبيض أثناء غسل القطع اللينة، وتجنب التنظيف الجاف.

لا تستخدم المنظفات غير المخففة أو البنزين أو المذيبات العضوية الأخرى لغسل المقعد. قد يؤدي عدم الالتزام بذلك إلى تلف نظام تقييد حركة الطفل.

لا تعصر غطاء المقعد والحشو الداخلي لتجفيفهما، وإلا، فقد تتكون تجاعيد في الغطاء والبطانة.

الرجاء تجفيف الغطاء والبطانة بتعليقهما في منشر.

! يُرجى سحب وقف قفل Smart لليمين عند استخدام نظام تقييد حركة الطفل المطور في وضع المقعد الداعم. ٣٩ تأمين الطفل

! افتح إبرزيم مجموعة الأحزمة بالضغط على الزر الأحمر. ٤٠

! أزل بطاقة الرضيع عند استخدام وضع المقعد الداعم.

! يس حزام مفروق الساقين وحزام الكتف مع الأغطية بعيدًا في حجيرات التخزين. ٤٢ ٤٤

! اضبط مسند الرأس بحيث يكون جانبه السفلي مستويًا مع كتفي الطفل.

! تبيّت باستخدام حزام أمان مقعد السيارة.

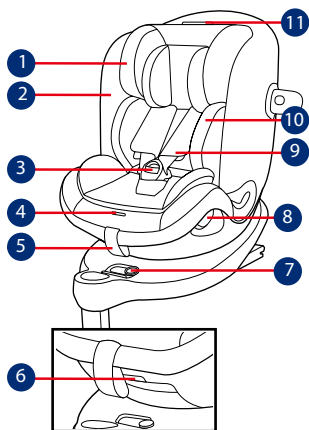
! يجب أن يمر حزام الكتف عبر موجه حزام الكتف. ٤٦ - ٢

! من المفترض أن يضيء المؤشران في وصلتي تثبيت ISOFIX باللون الأخضر بالكامل.

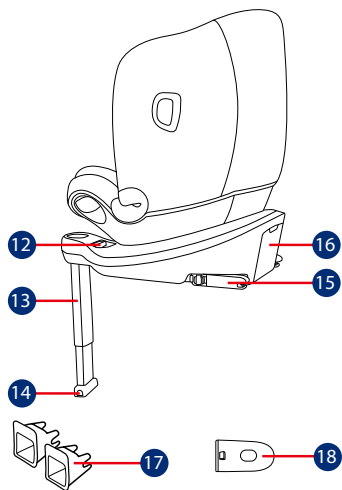
! التركيب باستخدام وصلتي ISOFIX في وضع المقعد الداعم اختياري. إذا تم استخدام وصلتي ISOFIX، فتأكد من أن لوني المؤشرين في كلتا الوصلتين أخضر بالكامل عند التثبيت بنقاط التثبيت.

٤٦ - ١

! يجب تركيب ساق التحميل بشكل صحيح من خلال التأكد من إضاءة مؤشرها باللون الأخضر. ٤٦ - ٣



- 1 Huvudstöd
- 2 Sittdyna
- 3 Spänne
- 4 Bältesinställningsknapp
- 5 Justeringsband
- 6 Bakåtlutningens justeringsknapp
- 7 Svänglås av
- 8 Rotationsknapp
- 9 Axelseleskydd
- 10 Spädbarnsinsats



- 11 Inställningsspak för huvudstödet
- 12 ISOFIX-justeringsknapp
- 13 Stödben
- 14 Justeringsknapp för stödben
- 15 ISOFIX-anslutning
- 16 Förvaring för bruksanvisning
- 17 ISOFIX-fästets styrskenor
- 18 Sidokrockskydd

*Får endast användas på dörrsidan

SE VIKTIGT

LÄS NOGA IGENOM DESSA INSTRUKTIONER INNAN ANVÄNDNING OCH SPARA DEM FÖR FRAMTIDA BRUK. BARNETS SÄKERHET KAN PÅVERKAS OM DU INTE FÖLJER DESSA INSTRUKTIONER.

⚠ VARNING:
VIKTIGT, SPARA FÖR FRAMTIDA BEHOV: LÄS IGENOM NOGA.

Var medveten om att de fasta föremålen och plastdelarna på en förstärkt bilbarnstol skall vara så placerade och monterade så att det inte finns någon risk för att de fastnar i ett säte som rör sig eller någon av fordonets dörrar.

Använd **INTE** framåtvända förstärkta bilbarnstolsystem på säten som det finns en aktiv krockkudde monterad framför.

För att använda den här förstärkta bilbarnstolen i enlighet med FN-förordning nr 129/03 måste ditt barn uppfylla följande krav.

Bakåtvänt läge: Barnets längd 40cm-105 cm/max 19kg

Framåtvänt läge: Barnets längd 76 cm-105 cm/max 19kg

Bälteskuddesläge: Barnets längd 100 cm – 125 cm/max 25 kg

VIKTIGT - ANVÄND INTE FRAMÅTVÄND INNAN BARNET HAR

UPPNÅTT EN ÅLDER PÅ 15 MÅNADER (se instruktionerna).

Den förstärkta bilbarnstolen kanske inte passar i alla godkända fordon på grund av förvaringsutrymmet eller begränsat utrymme till fordonets tak. Om du är osäker så kontakta din återförsäljare eller ta kontakt med oss.

Alla band som håller fast den förstärkta bilbarnstolen i fordonet måste vara åtdragna och alla stödben måste vara i kontakt med fordonets golv och alla band som håller fast barnet måste justeras efter barnets kropp. Banden får inte heller tvinnas.

När barnet placerats i denna förstärkta bilbarnstol måste bilbältet användas korrekt. Se till att säkerställa att höftbandet sitter lågt ned, så att bäckenet är ordentligt fastsatt, skall vara spänt.

Den här förstärkta bilbarnstolen bör bytas ut efter att den har utsatts för kraftig påverkan vid en olycka. En olyckshändelse kan orsaka skador på den som inte är synliga med blotta ögat.

Överväg risken med att utföra några ändringar eller tillägg på enheten utan godkännande från adekvat myndighet och riskerna med att inte noga följa monteringsanvisningarna som tillverkaren inkluderat med bilbarnstolen.

Håll den här förstärkta bilbarnstolen

borta från solljus eftersom den i annat fall kan bli för het för barnets hud. Känn alltid på den förstärkta bilbarnstolen innan du placerar barnet i den.

Lämna ALDRIG ditt barn utan uppsikt i eller vid det här förstärkta bilbarnstolsystemet.

Allt bagage eller andra föremål som kan orsaka personskador vid en kollision måste vara ordentligt säkrade.

Det förstärkta bilbarnstolsystemet SKA INTE ANVÄNDAS utan tygdelarna.

Det mjuka materialet får inte ersättas med något annat material än det som rekommenderas av tillverkaren, eftersom det mjuka materialet utgör en integrerad del av bilbarnstolens egenskaper.

Kontrollera om den här förstärkta bilbarnstolen kan monteras på rätt sätt i ditt fordon innan du köper den.

INGEN förstärkt bilbarnstol kan garantera ett fullständigt skydd mot personskador vid en olycka. Däremot minskar en korrekt användning av den här förstärkta bilbarnstolen risken för allvarliga personskador eller dödsfall för ditt barn.

Installera INTE den här förstärkta bilbarnstolen utan att följa instruktionerna i denna bruksanvisning eftersom du annars

kan utsätta ditt barn för allvarliga skaderisker eller dödsfall.

Använd INTE den här förstärkta bilbarnstolen om den är skadad eller om delar saknas.

Låt INTE ditt barn bära stora/för stora kläder eftersom dessa kan förhindra att barnet sitter säkert och korrekt fastspänt med axelremmarna och grenbandet mellan benen.

Instruktionerna ska förvaras i den förstärkta bilbarnstolen under dess livslängd.

Var även uppmärksam på instruktionerna och varningarna i handboken från fordonets tillverkare.

Produkt-information

För installation med ISOFIX-system

1. Den här förbättrade bilbarnstolen är i-Size Den är godkänd enligt FN-förordning nr 129, för användning i i-Size kompatibelt fordonssäte, placerad såsom indikeras av fordonstillverkarens bruksanvisning.
2. Vid tveksamheter ska antingen tillverkaren eller återförsäljaren av system för förstärkt bilbarnstol rådfrågas.

För installation med 3-punktsbälte För installation med 3-punktsbälte + ISOFIX-system

1. Det här är ett förstärkt i-Size-

fasthållningssystem för barn. Den är godkänd enligt FN-förordningen nr 129, för användning i "i-Size-sättespositioner" såsom indikeras av fordonstillverkaren i fordonets bruksanvisning.

2. Vid tveksamheter ska antingen tillverkaren eller återförsäljaren av system för förstärkt bilbarnstol rådfrågas.

Material Plast, metall, tyg
Patentnr. Patentansökan under behandling

Installations-bekymmer

Se bilder 1 - 4

Använda sidokrockskyddet

Se bilder 5 - 6

! Den förstärkta bilbarnstolen levereras med löstagbar sidokrockskyddkapsel. Sätt i sidokrockkapseln på den sida som är närmast dörren. Installationen visas i 5.

- 6 Tryck på frigöringsknappen för att ta bort sidokrockskyddet.

Höjdjustering för huvudstöd och axelselen

Se bilder 7 - 10

- ! Justera huvudstödet och kontrollera att axelselen har korrekt höjd enligt 7 8 9 10.
 - ! Vid användning i bakåtvänt läge måste axelremmarnas höjd vara i jämnhöjd med eller strax under översta punkten på barnets axlar. 7
 - ! Vid användning i framåtvänt läge måste axelremmarnas höjd vara i jämnhöjd med eller strax över översta punkten på barnets axlar. 8
 - ! Vid användning i bälteskuddesläge måste axelremmarnas guide vara i jämnhöjd med barnets axlar. 9
 - ! Tryck på huvudstödet inställningsspak och dra upp eller tryck ner huvudstödet tills det klickar i ett av de 7 lägena, som visas i 10.
- ## Lutningsjustering
- Se bilder 11 - 13
- ! Tryck på knappen för lutningsjustering för att justera den förstärkta bilbarnstolen till

den önskade positionen. **11**
12 13

- ! Det finns 6 lutningslägen som kan användas för både bakåtvänt läge och framåtvänt läge. **12 13**

Basinstallation

Se bilder **14 - 20**

- ! Infoga ISOFIX-fästen för att hjälpa till med installationen. **14**
- ! Tryck på ISOFIX-justeringsknappen för att förlänga ISOFIX. **16 -1 & 16 -2**
- ! Se till att båda ISOFIX-anslutningarna sitter fast i sina ISOFIX-förankringspunkter. Färgerna på indikatorerna på båda ISOFIX-anslutningarna skall vara helt gröna. **17 -1**
- ! Tryck på ISOFIX-justeringsknapparna igen medan du skjuter stolen bakåt tills det kommer i kontakt med fordonssätets ryggstöd.
- ! När ISOFIX anslutits ska stödbenet dras nedåt mot golvet. När stödbenets indikator visar grön, innebär detta att stödbenet installerats korrekt. **17 -2**
- ! Tryck på stödbenets frigöringsknapp och justera

stödbenets längd. **17 -3**

- ! Var alltid noga med att stödbenet har direktkontakt med golvet och är i den låsta positionen även när barnet inte är i den.

Ta bort basen

- ! För att ta bort från fordonet så tryck på ISOFIX-justeringsknappen och dra tillbaka basen från sätet. Tryck sedan på och lossa anslutningarna från fordonets ISOFIX. **19**
- ! För att förhindra skada under transporten så tryck på knappen ISOFIX-justerings **20 -1** och vik ihop anslutningen helt. **20 -2**

Använda det bakåtvända läget (Barnets längd 40 cm – 105 cm/barnets vikt ≤ 19 kg/spädbarn – 4 år)

Se bilder **21 - 30**

- ! Installera den förstärkta bilbarnstolen i baksätet och placera sedan barnet i den förstärkta bilbarnstolen.
- ! Skjut Smart-läset till vänster när den förstärkta bilbarnstolen används i bakåtvänt läge. **21**

- ! Tryck på ISOFIX-justeringsknappen och dra basen bakåt från sätet. **22**

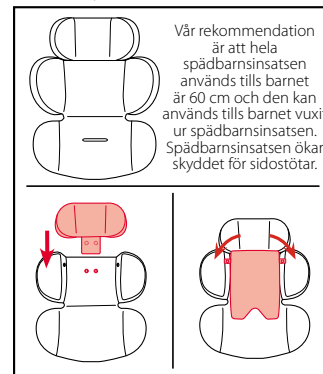
- ! Tryck på roteringsknappen för att rotera så att det blir enklare att sätta i/ta ut barnet från sidan. Roter sedan sätet till bakåtvänt läge. **23 24**

- ! Tryck på roteringsknappen på vardera sidan för att rotera den förstärkta bilbarnstolen.

Spänna fast barnet

- ! Förläng axelselens remmar genom att trycka på selen justeringsknapp medan du drar axelselen utåt för att lossa. **25**
- ! Öppna selen genom att trycka på den röda knappen.
- ! Sätt fast spännena på båda sidorna om sätet som visas i **27**, för att underlätta placering av barnet i bakåtvänt läge.

Använd spädbarnsinsats



- ! Placera barnet i den förstärkta bilbarnstolen och trä båda armarna genom selen.
- ! Aktivera spännnet. Se **28**
- ! Dra ned bandinställningen och ställ in lämplig längd för att se till att barnet sitter ordentligt fast. **29**
- ! Ha alltid barnet säkert i selen som ska vara ordentligt åtdragen, ta bort eventuellt slack.
- ! Se till att utrymmet mellan barnet och axelselens remmar är som tjockleken på en hand.
- ! Kontrollera alltid att sitsen är i den låsta positionen (bakåtvänt/framåtvänt) även när barnet inte är placerad i den.

Använda det framåtvända läget

(Barnets längd

76 cm–105 cm/

barnets vikt ≤ 19 kg/15

månader–ung. 4 år)

Se bilder 31 - 38

- ! Installera den förstärkta bilbarnstolen i baksätet och placera sedan barnet i den förstärkta bilbarnstolen.
- ! Skjut Smart-låset till höger när den förstärkta bilbarnstolen används i framåtvänt läge. 31
- ! Tryck på rotationsknappen för att rotera så att det blir enklare att sätta i/ta ut barnet från sidan. Roter sedan sätet till framåtvänt läge. 32 33
- ! Tryck på rotationsknappen på vardera sidan för att rotera den förstärkta bilbarnstolen.

Spänna fast barnet

- ! Förläng axelselens remmar genom att trycka på selens justeringsknapp medan du drar axelselen utåt för att lossa. 34
- ! Lossa bältesspännet på axelselen genom att trycka på den röda knappen. 35
- ! Ta bort spädbarnsinsatsen i framåtvänt läge. 36

- ! Placera spännets tungor på utsidan av den förstärkta bilbarnstolen så att tungorna hålls på plats.
- ! Placera barnet i den förstärkta bilbarnstolen och trä båda armarna genom selen.
- ! Aktivera spännet.
- ! Dra ned bandinställningen och ställ in lämplig längd för att se till att barnet sitter ordentligt fast. 37
- ! Kontrollera alltid att sitsen är i den låsta positionen (bakåtvänd/framåtvänd) även när barnet inte är placerad i den.

- ! ISOFIX-anslutningarna måste fästas och låsas på ISOFIX-förankringspunkterna. 38 -1
- ! Stödbenet måste vara installerat korrekt med grön indikator. 38 -2
- ! Ha alltid barnet säkert i selen som ska vara ordentligt åtdragen, ta bort eventuellt slack.
- ! Använd INTE framåtvänt läge förrän ditt barns längd är minst 76 cm OCH barnet är 15 månader fyllda.

Använda bälteskuddesläge

(Barnets längd

100 cm–125 cm/

barnets vikt ≤ 25kg)

Se bilder 39 - 46

- ! Installera den förstärkta bilbarnstolen i baksätet och placera sedan barnet i den förstärkta bilbarnstolen.
- ! Skjut Smart-låset till höger när den förstärkta bilbarnstolen används i bälteskuddesläge. 39

Spänna fast barnet

- ! Lossa bältesspännet på axelselen genom att trycka på den röda knappen. 40
- ! Ta bort spädbarnsinsatsen i bälteskuddesläge.
- ! Stoppa in grenband, axelband med skydd i utrymmena. 42 44
- ! Justera huvudstödet så att nederdelen av huvudstödet är i nivå med barnets axlar.
- ! Spänn fast med bilbältet.
- ! Axelbältet måste passera genom axelbältesguiden. 46 -2
- ! Färgen på indikatorerna på båda ISOFIX-fästanslutningarna skall vara helt grön.
- ! Monteringen med ISOFIX-

anslutningar i bälteskuddesläge är valfritt. Om ISOFIX-anslutningarna används är det noga att indikatorfärgerna på båda anslutningarna är helt gröna när de är fästa till ankarpunkterna. 46 -1

- ! Stödbenet måste vara installerat korrekt med grön indikator. 46 -3
- ! Den förstärkta bilbarnstolen kan inte användas om fordonssäkerhetsbällets spänne (honan) är för långt för att förankra den förstärkta bilbarnstolen ordentligt. 46 -4

Borttagning av mjuka delar

Se bilder 47 - 52

Tryck på den röda knappen för att öppna spännet. 47

Följ stegen 48 - 52 för att ta bort det mjuka materialet.

För att sätta tillbaka det mjuka materialet, upprepa stegen ovan i omvänd ordning.

Skötsel och underhåll

Tvätta sätesskyddet och inre kuddarna med kallt vatten under 30 °C.

Stryk inte det mjuka materialet.

Blek inte eller kemtvätta det mjuka materialet.

Använd inte utspädda rengöringsmedel, bensin eller andra organiska lösningsmedel till att tvätta fasthållningsanordningen för barn. Det kan skada bilbarnstolen.

Vrid inte ur klädseln och inre stoppning i ett försök att torka dem. Det kan göra att sätesmaterialet och inre kuddarna veckas.

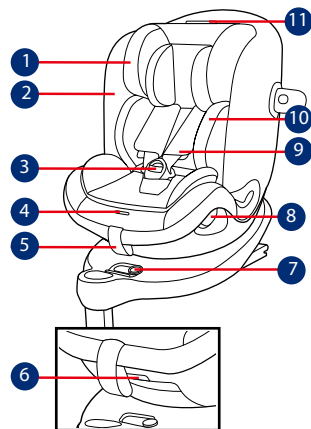
Häng sätesskyddet och inre kuddarna att torka i skuggan.

Ta bort bilbarnstolen från fordonets säte om det inte skall användas under en längre tid. Placera bilbarnstolen på en sval och torr plats där ditt barn inte kan komma åt den.

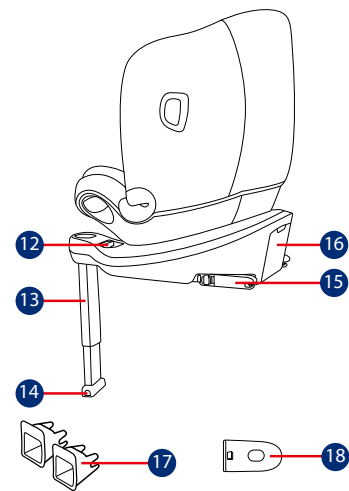
Gör inga otillbörliga ändringar på selefästen vid rengöring.

gracobaby.eu

www.gracobaby.pl



- 1 Opierka hlavy
- 2 Čalúnenie sedačky
- 3 Spona
- 4 Tlačidlo na nastavenie popruhov
- 5 Nastavovací popruh
- 6 Tlačidlo na nastavenie sklonu
- 7 Zámok otáčania
- 8 Tlačidlo otáčania
- 9 Kryty ramenných popruhov
- 10 Dojčenská vložka



- 11 Páčka na nastavenie opierky hlavy
- 12 Nastavovacie tlačidlo ISOFIX
- 13 Oporná noha
- 14 Tlačidlo na nastavenie opornej nohy
- 15 Prípojka ISOFIX
- 16 Úložný priestor pre Návod na použitie
- 17 Vodiace prvky príchytiek ISOFIX
- Ochrana pred bočným nárazom.
*musí sa používať iba na strane dverí

SK DÔLEŽITÉ

PRED POUŽITÍM SI POZORNE PREČÍTAJTE TIETO POKYNY A UCHOVAJTE ICH PRE NESKORŠIE POUŽITIE. AK NEBUDETE DODRŽIAVAŤ TIETO POKYNY, MÔŽE TO MAŤ VPLYV NA BEZPEČNOSŤ VÁŠHO DIEŤAŤA.

▲VÝSTRAHA:

DÔLEŽITÉ UPOZORNENIE, ULOŽTE PRE BUDÚCE POUŽITIE: POZORNE SI PREČÍTAJTE.

Upozorňujeme, že pevné predmety a plastové časti zosilnenej detskej autosedačky boli umiestnené a inštalované tak, aby nebolo možné ich zachytenie do pohyblivých sedadiel alebo dverí vozidla.

NEPOUŽÍVAJTE zosilnené detské zadržiacie systémy smerujúce tvárou dozadu na miestach na sedenie, kde je nainštalovaný aktívny čelný airbag.

Na používanie tejto zosilnenej detskej autosedačky podľa Predpisu OSN č. 129/03 musí vaše dieťa spĺňať nasledujúce požiadavky.

Režim tvárou dozadu: Výška dieťaťa 40 až 105cm/max. 19kg.

Režim smerovania tvárou dopredu: Výška dieťaťa 76 až 105cm/max. 19kg.

Režim s podložkou: Výška dieťaťa 100 až 125 cm/max. 25kg.

DÔLEŽITÉ - NEPOUŽÍVAJTE REŽIM

TVÁROU DOPREU, KÝM VEK DIEŤAŤA NEPREKROČÍ 15 MESIACOV (postupujte podľa pokynov).

Zosilnená detská autosedačka nemusí byť vhodná pre všetky schválené vozidlá z dôvodu úložných priestorov alebo obmedzeného priestoru na streche vozidla. V prípade pochybností kontaktujte svojho predajcu alebo nás.

Všetky popruhy, pomocou ktorých je zosilnená detská autosedačka pripojená k vozidlu, musia byť utiahnuté, oporná noha musí byť v kontakte s podlahou vozidla a všetky popruhy, ktoré držia dieťa, musia byť prispôbené telu dieťaťa, pričom žiadne popruhy nesmú byť skrútené.

Po umiestnení dieťaťa do tejto zosilnenej detskej autosedačky sa musí správne použiť bezpečnostný pás. Zaisťte, aby bedrový popruh prechádzal nízko v spodnej časti s pevne pripútanou panvou a musí byť napnutý.

Táto zosilnená detská autosedačka sa musí vymeniť v prípade, že bola vystavená intenzívnemu namáhaniu pri nehode. Nehoda môže spôsobiť poškodenie, ktoré nemusí byť viditeľné.

Berte do úvahy nebezpečenstvo vyplývajúce z vykonávania akýchkoľvek zmien alebo doplnení zariadenia bez súhlasu zodpovedajúceho orgánu a

nebezpečenstva vyplývajúceho z toho, že sa nebudú dôsledne dodržiavať pokyny na inštaláciu poskytnuté výrobcom zosilnenej detskej autosedačky.

Udržiavajte túto zosilnenú detskú autosedačku mimo slnečného svetla, v opačnom prípade môže byť pre pokožku dieťaťa príliš horúca. Pred vložením dieťaťa do zosilnenej detskej autosedačky sa jej vždy dotknite.

NENECHÁVAJTE svoje dieťa v zosilnenom detskom zadržiacom systéme bez dozoru.

Akákoľvek batožina alebo iné predmety, ktoré by mohli spôsobiť zranenie v prípade kolízie, sa musia správnym spôsobom zaisťiť.

Zosilnený detský zadržiaci systém sa NESMIE POUŽÍVAŤ bez mäkkých textílií.

Mäkké textílie sa nesmú nahrádzať inými než odporúčanými výrobcom, pretože mäkké textílie tvoria neoddeliteľnú súčasť charakteristických vlastností detskej autosedačky.

Pred zakúpením skontrolujte, či je možné túto zosilnenú detskú autosedačku správne nainštalovať do vášho vozidla.

ŽIADNA zosilnená detská autosedačka nedokáže zaručiť úplnú ochranu pred zranením pri nehode.

Správne používanie tejto zosilnenej detskej autosedačky však znižuje riziko vážneho poranenia alebo smrti dieťaťa.

NEINŠTALUJTE túto zosilnenú detskú autosedačku bez toho, aby ste sa neriadili pokynmi v tejto príručke, pretože inak by ste mohli svoje dieťa vystaviť vážnemu riziku poranenia alebo smrti.

NEPOUŽÍVAJTE túto zosilnenú detskú autosedačku, ak má poškodené alebo chýbajúce časti.

NEOBLIEKAJTE svoje dieťa do veľkých/nadrozmerých odevov, pretože by mohli zabrániť tomu, aby bolo dieťa, správne a bezpečne upevnené ramennými popruhmi a rozkrokovým popruhom medzi nohami.

Pokyny sa musia uchovávať v zosilnenej detskej autosedačke po celú dobu jej životnosti.

Riadte sa tiež pokynmi a výstrahami v príručke výrobcu vozidla.

Informácie o výrobku

Na inštaláciu so systémom ISOFIX

1. Toto je Zosilnený detský zadržiaci systém i-Size. Je schválený podľa Predpisu OSN č. 129 na použitie v sedadle na sedenie pre vozidlá kompatibilné so systémom i-Size podľa toho, ako uvádzajú

výrobcovia vozidiel v príručke používateľa vozidla.

2. V prípade pochybností sa obráťte na výrobcu Zosilneného detského zadržiavacieho systému alebo predajcu.

Na inštaláciu s 3-bodovým pásmom Na inštaláciu s 3-bodovým pásmom a systémom ISOFIX

1. Toto je autosedačka Zosilneného detského zadržiavacieho systému i-Size. Je schválený podľa Predpisu OSN č. 129 na použitie predovšetkým na „miestach na sedenie i-Size“, ako sa uvádza výrobcami vozidla v návode na používanie vozidla.

2. V prípade pochybností sa obráťte na výrobcu Zosilneného detského zadržiavacieho systému alebo predajcu.

Materiály Plast, kov, textil

Patent č. Patentová prihláška sa prerokúva

Záležitosti týkajúce sa inštalácie

Pozrite si obrázky 1 - 4

Používajte chránič proti bočnému nárazu

Pozrite si obrázky 5 - 6

- ! Zosilnená detská autosedačka sa dodáva s odnímateľným modulom ochrany proti bočnému nárazu. Vložte modul ochrany proti bočnému nárazu na stranu bližšie k dverám. Inštalácia je zobrazená na obrázku 5.

- 6 Stlačte uvoľňovacie tlačidlo, ak chcete vybrať chránič proti bočnému nárazu.

Nastavenie výšky opierky hlavy a ramenných popruhov

Pozrite si obrázky 7 - 10

- ! Nastavte opierku hlavy a skontrolujte, či sú ramenné popruhy v správnej výške podľa obr. 7 8 9 10.

- ! Pri používaní v režime tvárou dozadu musí byť výška ramenných popruhov zarovno s ramenami dieťaťa alebo tesne pod ich vrcholom. 7

- ! Pri používaní v režime tvárou dopredu musí byť výška ramenných popruhov zarovno s ramenami dieťaťa alebo tesne nad nimi. 8

- ! Pri používaní v režime s podložkou musia byť vodiace

prvky ramenných pásov zarovno s ramenami dieťaťa. 9

- ! Stlačte páčku na nastavenie opierky hlavy a vytiahnite alebo zatlačte opierku hlavy, kým nezacvakne do jednej zo 7 polôh, zobrazených na 10.

Nastavenie sklonu

Pozrite si obrázky 11 - 13

- ! Ak chcete nastaviť zosilnenú detskú autosedačku do požadovanej polohy, stlačte tlačidlo na nastavenie sklonu. 11 12 13

- ! K dispozícii je 6 polôh sklonu, ktoré možno použiť na obidva režimy, tvárou dozadu aj tvárou dopredu. 12 13

Inštalácia základne

Pozrite si obrázky 14 - 20

- ! Zasuňte vodiace prvky ISOFIX, ktoré pomáhajú pri inštalácii. 14

- ! Stlačením nastavovacieho tlačidla ISOFIX vysuniete systém ISOFIX. 16 -1 a 16 -2

- ! Skontrolujte, či sú obe prípojky ISOFIX pevne pripojené k svojim kotevným bodom ISOFIX. Farba na indikátoroch oboch prípojek ISOFIX musí byť úplne zelená. 17 -1

- ! Znova stlačte nastavovacie tlačidlá ISOFIX, pričom zatlačte zadnú stranu sedačky tak, aby sa dostala do kontaktu s operadlom sedadla vozidla.

- ! Po pripojení systému ISOFIX vytiahnite opornú nohu smerom nadol na podlahu. Keď indikátor opornej nohy zobrazí zelenú farbu, je oporná noha nainštalovaná správne. 17 -2

- ! Stisnite uvoľňovacie tlačidlo opornej nohy a potom nastavte dĺžku opornej nohy. 17 -3

- ! Vždy sa uistite, že má oporná noha priamy kontakt s podlahou a že je v uzamknutej polohe, aj keď dieťa nie je v sedačke.

Odmontovanie základne

- ! Na vybratie z vozidla stlačte nastavovacie tlačidlo ISOFIX a vytiahnite zadnú časť základne zo sedadla. Potom stlačte a uvoľnite prípojky zo systému ISOFIX vozidla. 19

- ! Aby ste predišli poškodeniu počas prepravy, stlačte nastavovacie tlačidlo ISOFIX 20 -1 a prípojku zložte úplne. 20 -2

Používanie režimu tvárou dozadu (Výška dieťaťa 40 až 105 cm/Hmotnosť dieťaťa ≤ 19

kg/dojča až pribl. 4 roky)

Pozrite si obrázky 21 - 30

- ! Nainštalujte zosilnenú detskú autosedačku na zadné sedadlo vozidla a potom do nej vložte dieťa.
- ! Pri používaní zosilnenej detskej autosedačky v režime smerovania tvárou dozadu posuňte zámok Smart doľava. **21**
- ! Stlačte nastavovacie tlačidlo ISOFIX a vytiahnite zadnú časť základne zo sedadla vozidla. **22**
- ! Stlačte tlačidlo otáčania, aby ste sedačku otočili pre jednoduchšie bočné nakladanie/vykládanie dieťaťa, potom otočte sedačku do polohy tvárou smerom dozadu. **23 24**
- ! Ak chcete otočiť zosilnenú detskú autosedačku, stlačte tlačidlo otáčania na oboch stranách.

Zaistenie dieťaťa

- ! Ak chcete predĺžiť pásy ramenných popruhov, stlačte tlačidlo na nastavenie popruhu a vytiahnutím ramenných popruhov ich uvoľnite. **25**
- ! Rozopnite popruhy stlačením červeného tlačidla.
- ! Zaisťte spony na oboch stranách sedačky, označených

ako **27** aby bolo umiestnenie dieťaťa v režime tvárou dozadu pohodlnejšie.

Použite dojičenskú vložku



Odporúčame používať celú dojičenskú vložku, kým má dieťa menej ako 60cm a môže sa používať, kým z dojičenskej vložky nevyrastie. Dojičenská vložka zvyšuje ochranu pri bočnom náraze.

- ! Položte dieťa do zosilnenej detskej autosedačky a prevlečte mu obe ruky cez popruhy.
- ! Zapnite sponu. Pozrite si **28**
- ! Potiahnite nastavovací popruh nadol a nastavte ho na správnu dĺžku, aby ste sa uistili, že je vaše dieťa správne zaistené. **29**
- ! Vždy majte dieťa upevnené v popruhoch a riadne ich dotiahnite, aby ste odstránili všetky uvoľnené časti.
- ! Skontrolujte, či je medzera medzi dieťaťom a ramennými popruhmi široká asi na hrúbku jednej ruky.

! Vždy sa uistite, že je autosedačka v zaistenej polohe (smerovaním tvárou dozadu/dopredu), aj keď v nej nie je dieťa.

Používanie režimu tvárou dopredu (výška dieťaťa 76 až 105 cm/hmotnosť dieťaťa ≤ 19 kg/vek 15 mesiacov až pribl. 4 roky)

Pozrite si obrázky 31 - 38

- ! Nainštalujte zosilnenú detskú autosedačku na zadné sedadlo vozidla a potom do nej vložte dieťa.
- ! Pri používaní zosilnenej detskej autosedačky v režime smerovania tvárou dopredu posuňte zámok Smart doprava. **31**
- ! Stlačte tlačidlo otáčania, aby ste sedačku otočili pre jednoduchšie bočné nakladanie/vykládanie dieťaťa, potom otočte sedačku do polohy tvárou smerom dopredu. **32 33**
- ! Ak chcete otočiť zosilnenú detskú autosedačku, stlačte tlačidlo otáčania na oboch stranách.

Zaistenie dieťaťa

- ! Ak chcete predĺžiť pásy

ramenných popruhov, stlačte tlačidlo na nastavenie popruhov a vytiahnutím ramenných popruhov ich uvoľnite. **34**

! Pracku popruhov odistite stlačením červeného tlačidla. **35**

! V režime smerovania tvárou dopredu vyberte dojičenskú vložku. **36**

! Umiestnite jazyčky spony na vonkajšej strane zosilnenej detskej autosedačky tak, aby jazyčky držali na svojom mieste.

! Položte dieťa do zosilnenej detskej autosedačky a prevlečte mu obe ruky cez popruhy.

! Zapnite sponu.

! Potiahnite nastavovací popruh nadol a nastavte ho na správnu dĺžku, aby ste sa uistili, že je vaše dieťa správne zaistené. **37**

! Vždy sa uistite, že je autosedačka v zaistenej polohe (smerovaním tvárou dozadu/dopredu), aj keď v nej nie je dieťa.

! Prípojky ISOFIX musia byť pripojené a zaistené na kotevných bodoch ISOFIX. **38** -1

! Oporná noha musí byť správne nainštalovaná so zelenou farbou indikátora. **38** -2

! Vždy majte dieťa upevnené

v popruhoch a riadne ich dotiahnite, aby ste odstránili všetky uvoľnené časti.

- ! NEPOUŽÍVAJTE režim smerovania tvárou dopredu, kým výška dieťaťa nebude aspoň 76 cm A jeho vek 15 mesiacov.

Používanie v režime sedačky (výška dieťaťa 100 cm až 125 cm/hmotnosť dieťaťa ≤ 25 kg)

Pozrite si obrázky 39 - 46

- ! Nainštalujte zosilnenú detskú autosedačku na zadné sedadlo vozidla a potom do nej vložte dieťa.
- ! Pri používaní zosilnenej detskej autosedačky v režime s podložkou posuňte zámok Smart doprava. 39

Zaistenie dieťaťa

- ! Pracku popruhov odistite stlačením červeného tlačidla. 40
- ! V režime sedačky vyberte dojčenskú vložku.
- ! Rozkrokový a ramenný popruh s krytmi zastrčte do priehradiek. 42 44
- ! Nastavte opierku hlavy tak, aby

spodná časť opierky hlavy bola v rovine s ramenami dieťaťa.

- ! Pripútajte pásom vozidla.
- ! Ramenný pás prechádzať cez vodiaci prvok ramenného pásu. 46 -2
- ! Farba na indikátoroch oboch prípojok príchytiek ISOFIX musí byť úplne zelená.
- ! Inštalácia pomocou prípojk ISOFIX v režime s podložkou je voliteľná. Ak používate prípojky ISOFIX, skontrolujte, či sú farby indikátorov na oboch prípojkách úplne zelené, keď sú pripevnené ku kotevným bodom. 46 -1
- ! Oporná noha musí byť správne nainštalovaná so zelenou farbou indikátora. 46 -3
- ! Zosilnená detská autosedačka sa nesmie používať, ak je spona bezpečnostného pásu vozidla (samičí koniec spony) príliš dlhá na pevné ukotvenie zosilnenej detskej autosedačky. 46 -4

Odpojenie mäkkých textílií

Pozrite si obrázky 47 - 52

Stlačením červeného tlačidla rozopnite pracku. 47

Na odpojenie mäkkých textílií postupujte podľa krokov 48 - 52.

Ak budete chcieť pripojiť textilné prvky späť, zopakujte vyššie uvedené kroky v opačnom poradí.

Starostlivosť a údržba

Umyte kryt sedačky a vnútorné čalúnenie studenou vodou s teplotou pod 30°C.

Nežehlite mäkké textílie.

Mäkké textílie nebieľte ani chemicky nečistite.

Na umývanie detskej autosedačky nepoužívajte nezriedené čistiace prostriedky, benzín ani iné organické rozpúšťadlá. Môže to spôsobiť poškodenie detskej autosedačky.

Nežmýkajte kryt sedačky ani vnútorné čalúnenie, aby ste ich vysušili. Mohlo by to na potáhu sedačky a čalúnení zanechať zvrásnenie.

Kryt sedačky a vnútorné čalúnenie zaveste do tieňa, aby sa vysušili.

Ak sa táto detská autosedačka dlhšie nepoužíva, vyberte ju zo sedadla vozidla. Detskú autosedačku dajte na chladné a suché miesto, kde sa k nej vaše dieťa nedostane.

Počas čistenia nemanipulujte s prípojkami popruhov.

gracobaby.eu
www.gracobaby.pl



Allison Baby UK Ltd

Venture Point, Towers Business Park Rugeley,
Staffordshire, WS15 1UZ

NUNA International B.V.

Van der Valk Boumanweg 178 C,
2352 JD Leiderdorp, The Netherlands

Customer Service

gracobaby.eu
www.gracobaby.pl